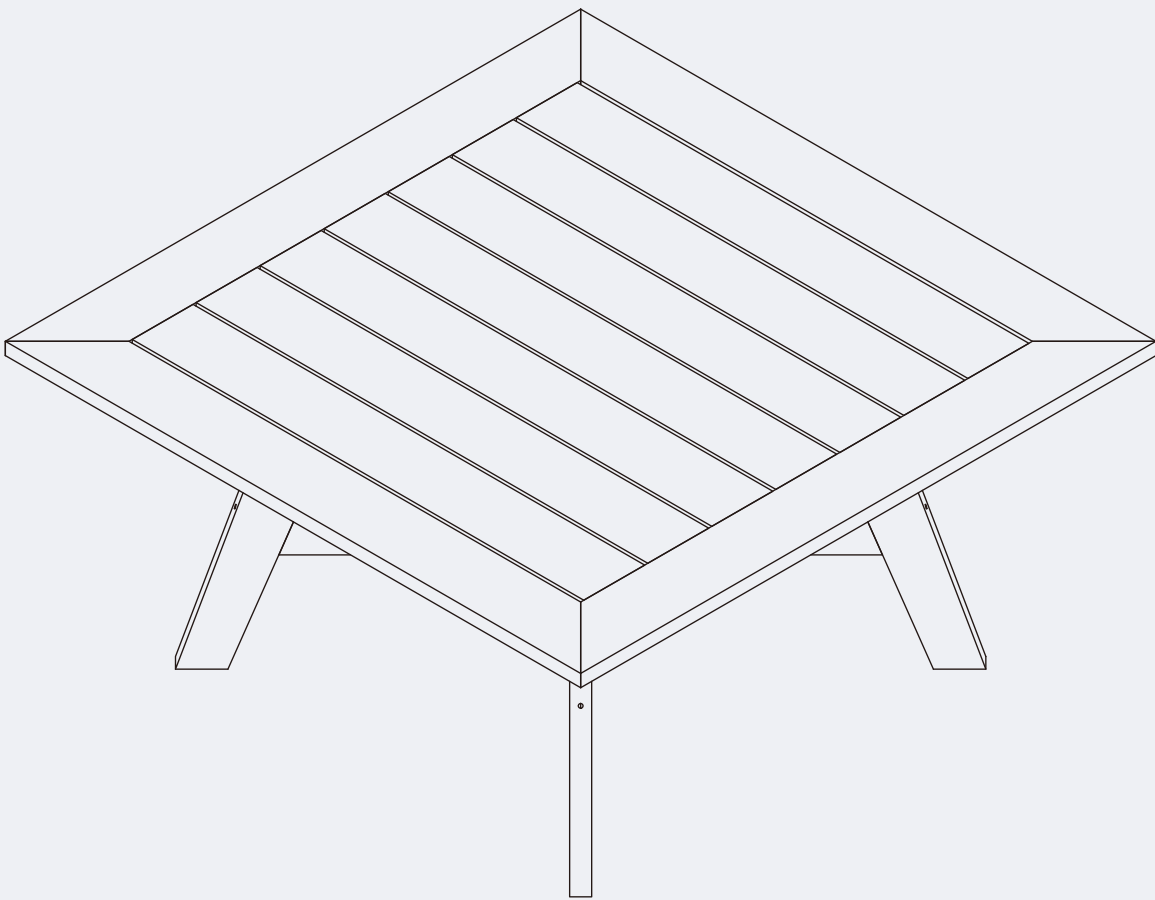


INSTRUCTION MANUAL



37" CONVERSATION TABLE

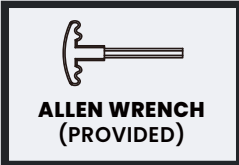
V1.0

! CARE & MAINTENANCE

Please keep this instruction for your future reference.

- Be careful when assembling to avoid damaging the plating of the surface.
- Clean the chair with lukewarm water, mild detergent & soft cloth.
- Firmly secure all bolts before use. Do not use any part of this item as a step ladder.
- Make sure that all bolts, screws, and nuts are secure every 90 days.
- Do not use or store this item in the proximity of open flame or flammable/combustible chemicals.
- Be aware that some parts are heavy and have sharp edges.
- Do not overtighten screws (insert all screws before tightening screws).

TOOLS REQUIRED



**300 LBS
CAPACITY**

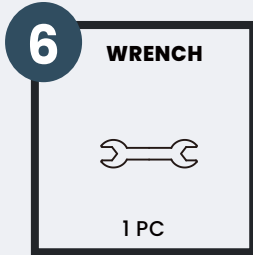
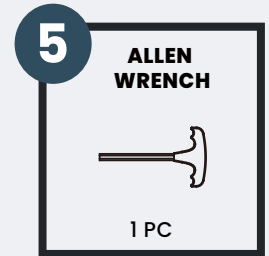
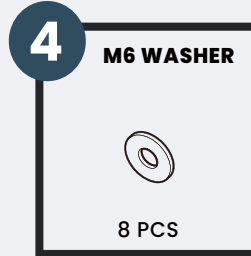
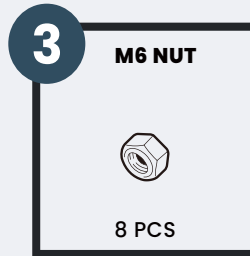
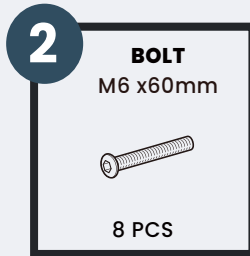
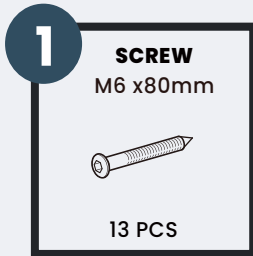


**2 PERSON
ASSEMBLY**

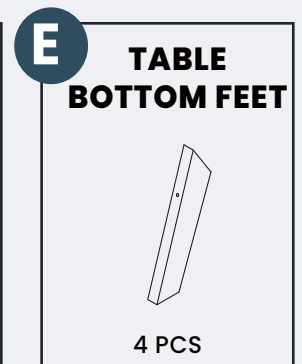
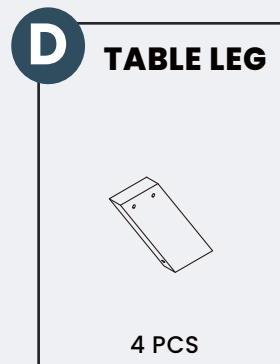
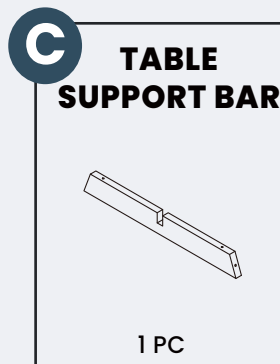
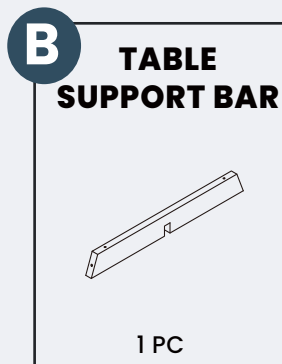
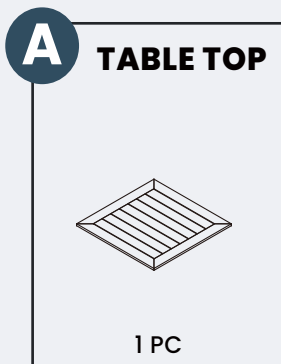


**UP TO 30 MIN.
ASSEMBLY**

HARDWARE

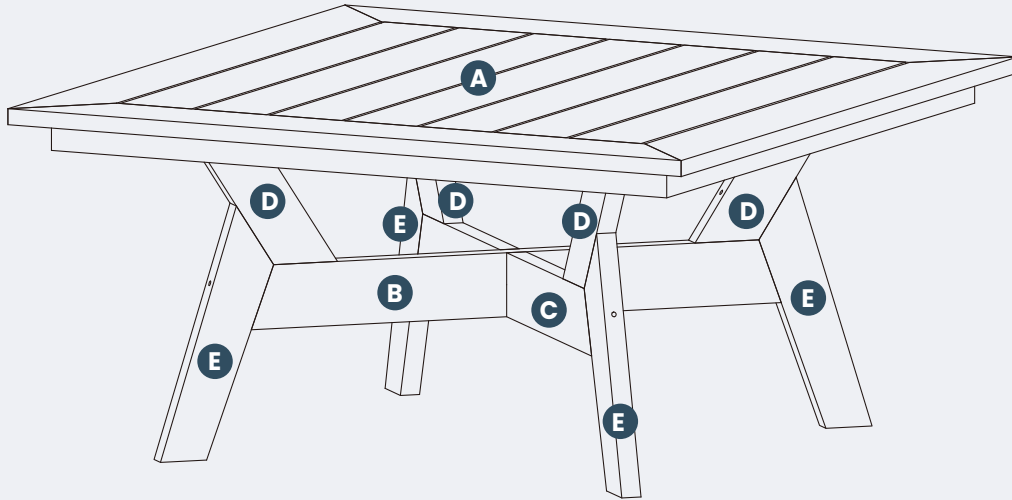


PARTS



PRODUCT ASSEMBLY – OVERALL VIEW

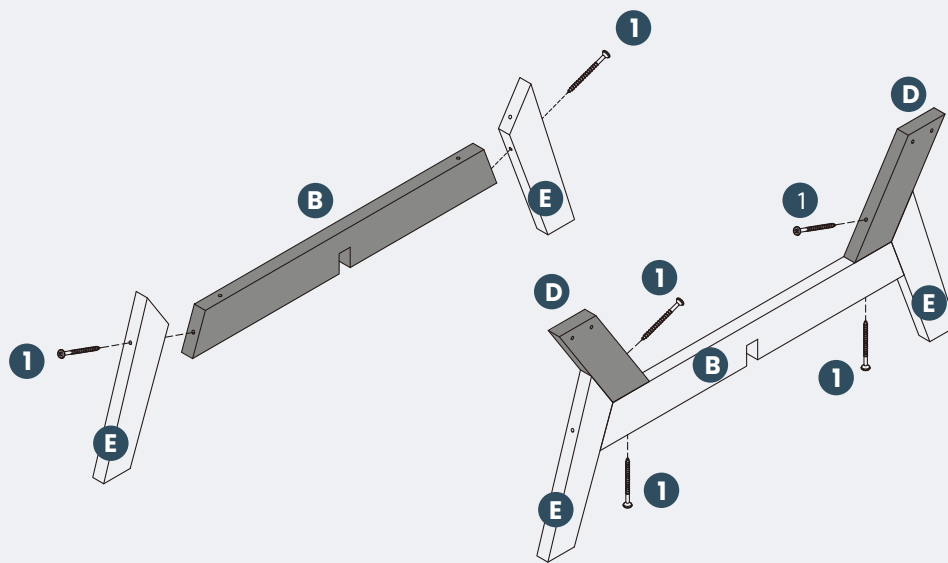
Look at following overall view of this table and learn the exact position of each parts to be assembled.



PRODUCT ASSEMBLY

1

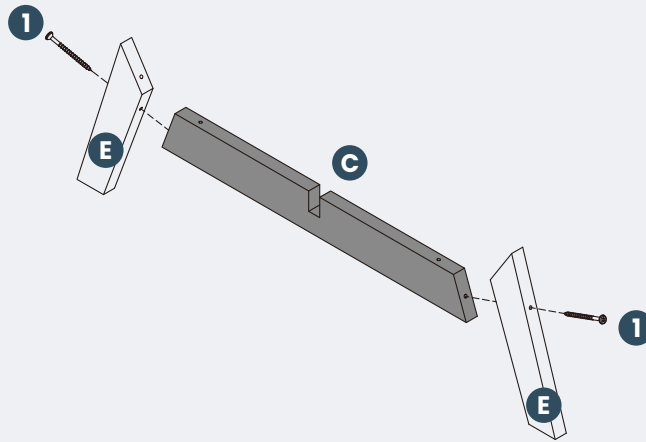
Attach **part E Bottom Feet** to **part B Support Bar** with 2 pcs of hardware **#1 Screw**.
Attach **part D Leg** to **part E Bottom Feet** with 2 pcs of hardware **#1 Screw**.
Attach **part D Leg** to **part B Support Bar** with 2 pcs of hardware **#1 Screw**.



PRODUCT ASSEMBLY

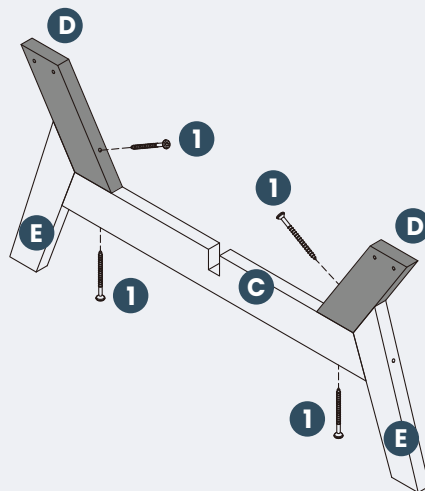
2

Attach **part E Bottom feet** to **part C Support Bar** with 2 pcs of hardware **#1 Screw**.



3

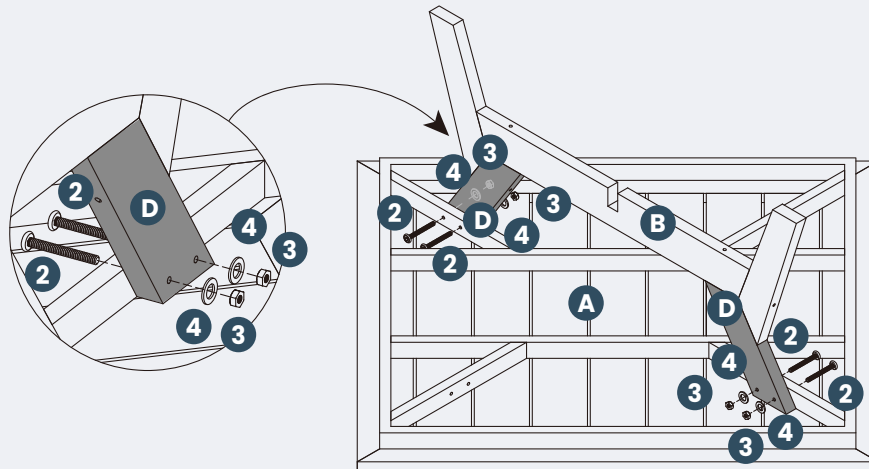
Attach **part D Leg** to **part E Bottom Feet** with 2 pcs of hardware **#1 Screw**.
Attach **part D Leg** to **part C Support Bar** with 2 pcs of hardware **#1 Screw**.



PRODUCT ASSEMBLY

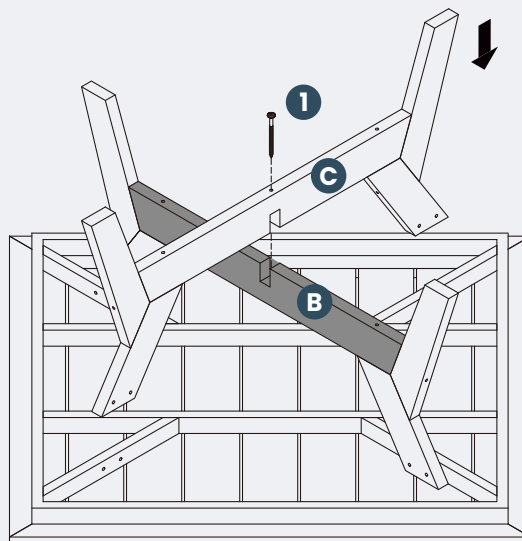
4

Attach **part D Leg** with **Support Bar B** to **part A Table Top** with 4 sets of hardware **#2 Bolt**, hardware **#4 Washer** and hardware **#3 Nut**.



5

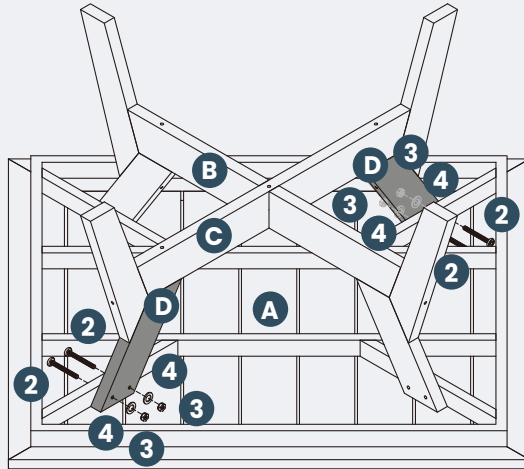
Attach **part C Support Bar** to **part B Support Bar** with 1 pcs of hardware **#1 Screw**.



PRODUCT ASSEMBLY

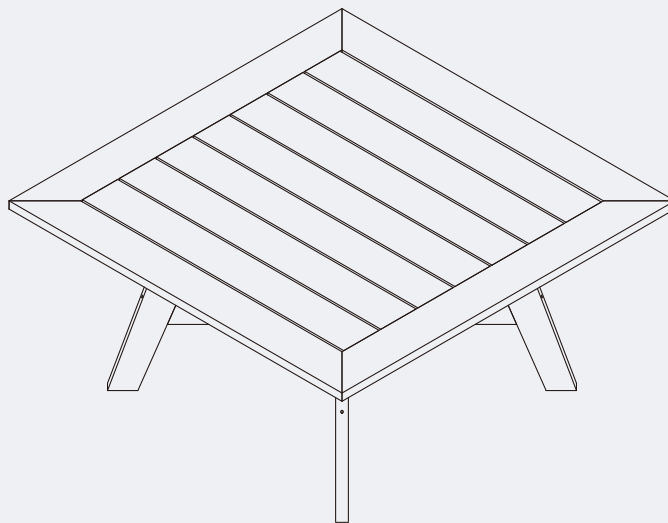
6

Attach **part D** with **Support Bar C** to **part A Table Top** with 4 sets of hardware **#2 Bolt**, hardware **#4 Washer**, and hardware **#3 Nut**.



7

Check and tighten all the bolts and screws again and finish the assembly.



CLEANING TIPS

REGULAR CLEAN: Use a mixture of warm water and mild soap. Gently scrub the surface with a soft bristle brush to remove any dirt or stains.

QUICK CLEAN: You can simply wipe down the furniture with a damp cloth.

Regular cleaning not only preserves the aesthetic appeal of your furniture, but also helps extend its lifespan.