

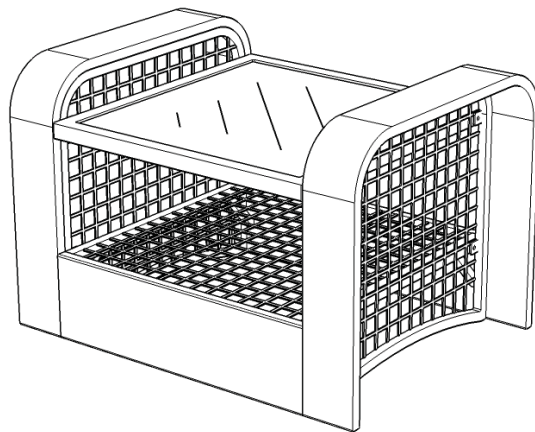
88 5804 20 End Table

IMPORTANT NOTE

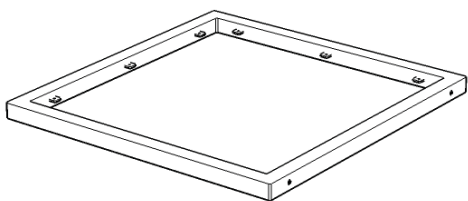
Carefully remove all the parts from the carton and put them individually on a soft cloth to prevent scratches or other damage occurring to the parts.

We have taken great care in the design of this product and request that you carefully and strictly follow our assembly instructions to ensure a completed product as it was designed.

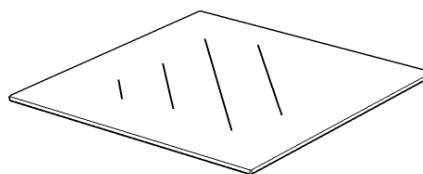
Home
Styles



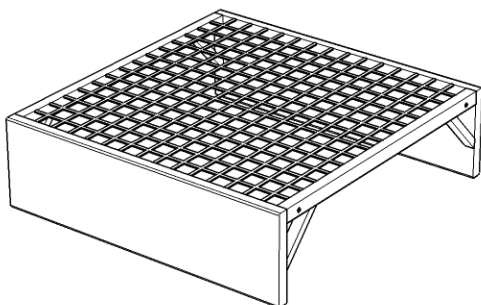
Part List



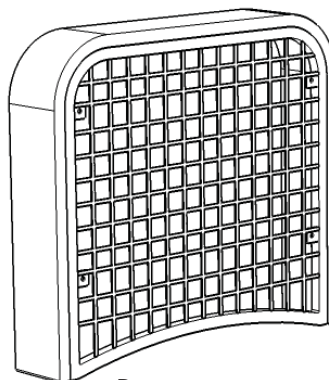
A.
Top Frame
1 Pc.



B.
Glass Top
1 Pc.



C.
Base
1 Pc.



D.
Side Frame
2 Pcs.

Hardware List



Key Wrench
1 Pc.



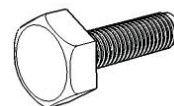
Spring Washer
8 Pcs. (+1 extra)



Flat Washer
8 Pcs. (+1 extra)



Cap
8 Pcs. (+1 extra)



M6x18
Bolt
8 Pcs. (+1 extra)

Tools recommended for assembly : Level

Home Styles Consumer Assistance: www.homestyles-furniture.com,
servicedesk@homestyles-furniture.com, 888-680-7460, 877-831-0319

Assembly Instructions 2/2

IMPORTANT

- * Please keep Key Wrench in a safe place as you may need to tighten up the Bolts in the future.
- * Do not tighten up all the bolts until each part is properly assembled.
- * Use a soft cloth between these parts and the floor.
- * After assembly item must be level to work properly. Use the included adjustable levelers to level.

STEP 1

Attach Top Frame (A) and Base (C) to Side Frame (D) with Flat Washers, Spring Washers, Bolts and Caps. (See Figure 1)

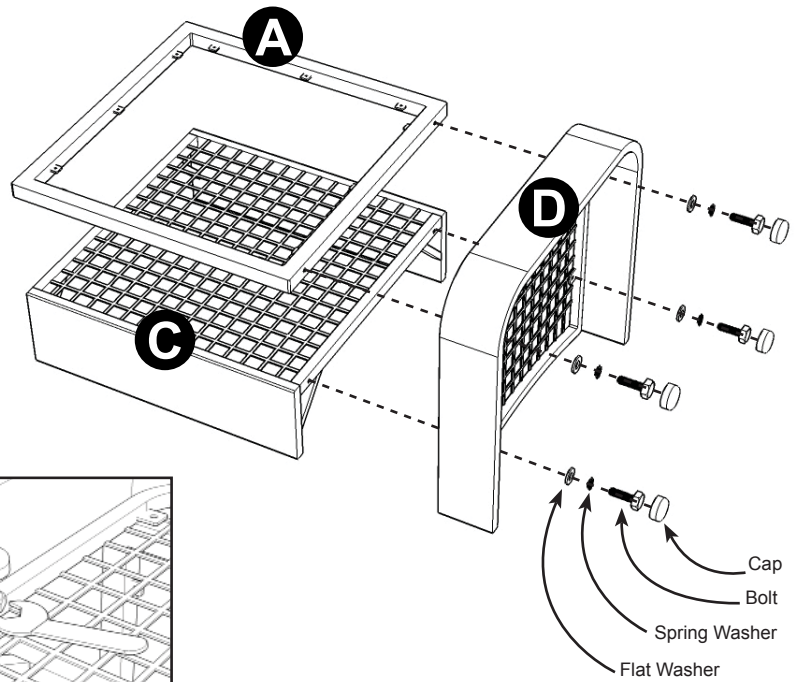
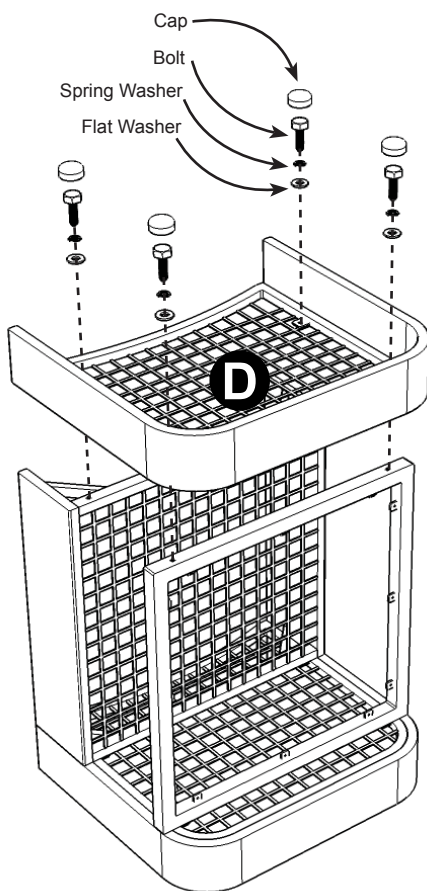
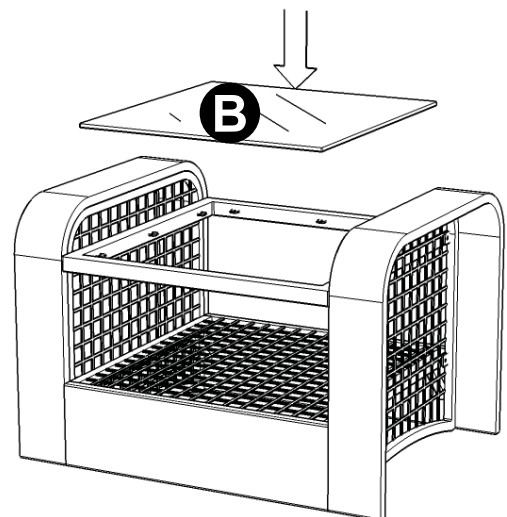


Figure 1

STEP 2

Attach Side Frame (D) to unit with Flat Washers, Spring Washers, Bolts and Caps.



STEP 3

Turn the unit to its' upright position.

Place Glass Top (B) onto unit.

To level the unit, adjust the adjustable levelers on the bottom of unit. (See Figure 2)

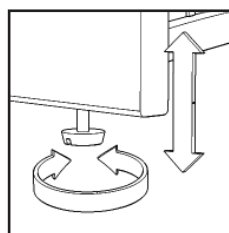


Figure 2