

85105 INSTALLATION INSTRUCTIONS

Please read carefully and save these instructions as you may need them a later date.

CAUTION

WARNING: Risk of Fire. Consult a qualified electrician to ensure correct branch circuit conductor.

Turn off the main power at the circuit breaker before installing the fixture in order to prevent possible shock.

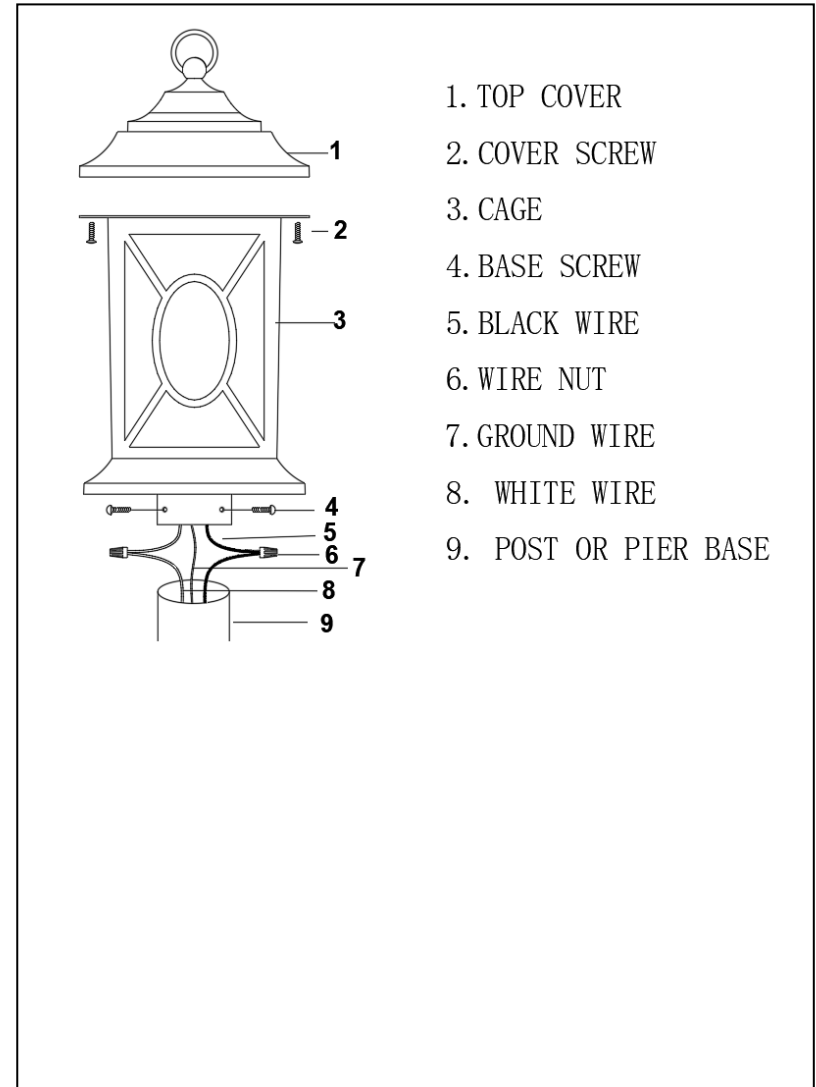
GENERAL

All electrical connections must be in accordance with local and National Electrical Code (N.E.C.) standards. If you are unfamiliar with proper electrical wiring connections obtain the services of a qualified electrician.

Remove the fixture and the mounting package from the box and make sure that no parts are missing by referencing the illustration.

ASSEMBLY AND INSTALLATION

1. Loosen the cover screws (2), take off the Top cover (1) from cage (3).
2. Screw recommended bulb (E12 Candelabra bulb type, not included) into socket.
Verify correct bulb wattage marked on socket of fixture . **WARNING: DO NOT** exceed maximum bulb wattage.
3. Assemble the Top cover (1) back to the cage (3) with cover screws (2).
4. Expose the wires from post , make wire connections with wire nuts (6) as follows:
 - Ribbed wire (w/o marking) or white wire from fixture to white wire from post or pier base (9).
 - Smooth wire (w/ marking) or black wire from fixture to black wire from post or pier base (9)
 - Ground wire from fixture to ground wire from post or pier base (9).
5. Turn on the power.



INSTALLATION IS NOW COMPLETED