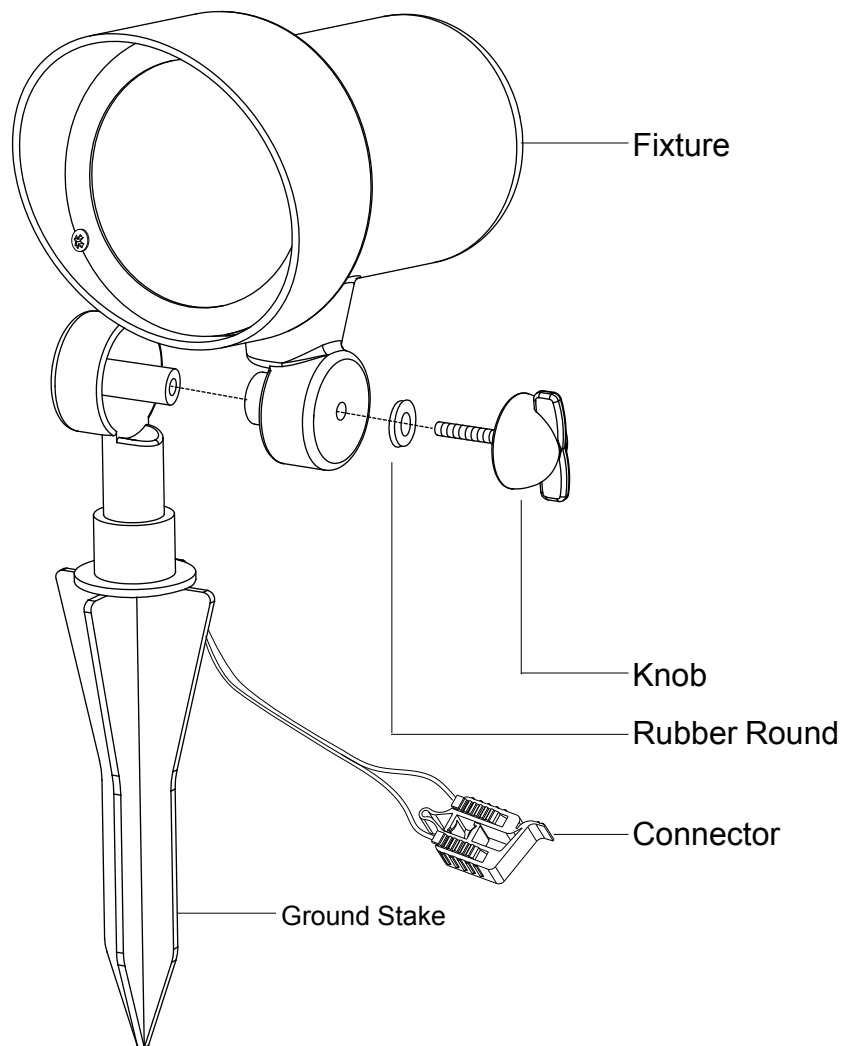


ASSEMBLY AND INSTALLATION INSTRUCTIONS

T0754

WARNING: Turn off the main power at circuit breaker before installing fixture.
AVERTISSEMENT: Coupez la source d'alimentation principale au panneau central de disjoncteurs avant d'installer le luminaire.

NOTE: 1. Before installing, consult local electrical codes for wiring and grounding requirements.
2. Read and save these instructions.



SAFETY INFORMATION

Please read and understand this entire manual before attempting to assemble, operate or install the product.

WARNING

- Risk of fire or electrical shock. Turn off power before assembly. Read all of these instructions thoroughly before use. Keep this instruction manual in a safe place for future reference.
- Do not install or connect wires with wet hands.
- Do not install this product within 10 feet (3 meters) away from a pool, spa, fountain, or other body of water.
- The main cable is intended for shallow burial - maximum depth must not exceed 6 inches (15.2 cm).
- For low voltage landscape lighting systems only.
- Do not step on, or drive over the main cable.

CAUTION

- This lighting fixture is only suitable for a 12V power supply.
- This light is a highly efficient, extremely low wattage, energy saving product.
- Use shielded cable for outdoor use in the following sizes: 18 AWG, 16 AWG, 14 AWG, 12 AWG.
- Do not submerge in water.
- Do not repair or modify this product.
- The maximum power of the LED module is 6W.

PREPARATION

Before beginning assembly, installation or operation of product, make sure all parts are present. Compare parts with package contents list and diagram on previous page. If any part is missing or damaged, do not attempt to assemble, install or operate the product. Contact customer service for replacement parts.

Tools Required for Assembly (not included): Electrical Tape.

ASSEMBLY INSTRUCTIONS

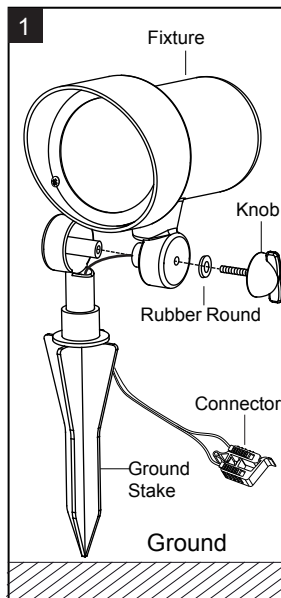
Fixture installation

1. a. Attach the ground stake to the fixture with the adjustable knob.
b. Gently insert the ground stake into the ground. (Fig.1)

Never push the fixture into the ground by the fixture head.

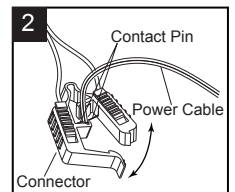
Note: In compacted, clay, or hard soils, moisten the ground with water before inserting the stake into the ground to avoid breakage.

Fixture Assembly



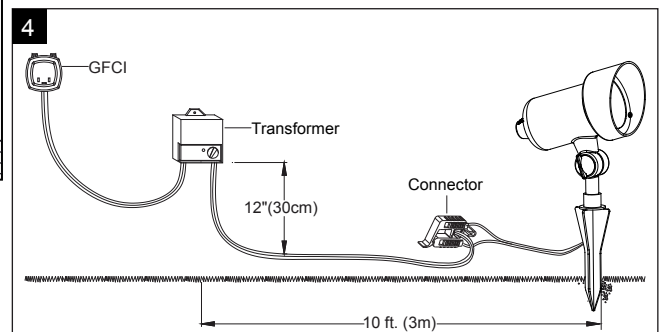
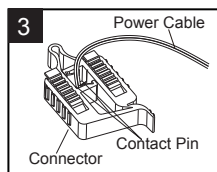
Quick Connector

The connector is intended for use with 18 AWG, 16 AWG, 14 AWG or 12 AWG outdoor cables.



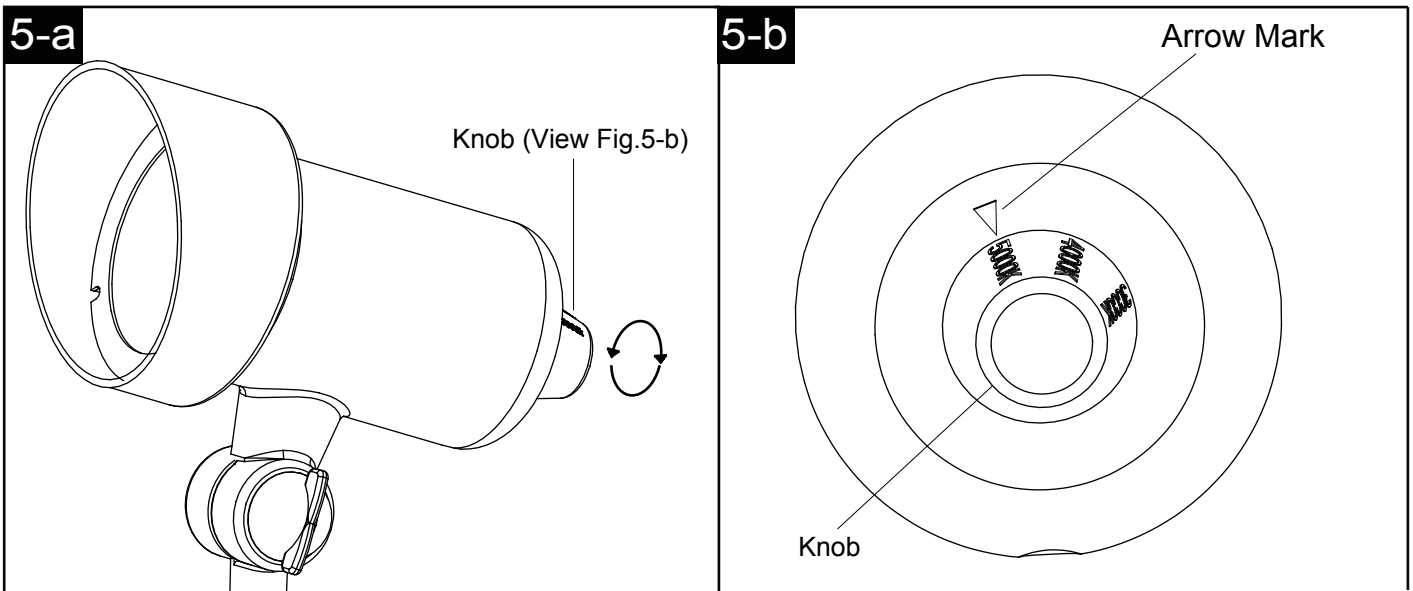
2. Open the connector from the fixture wires and insert the power cable from the transformer (not included) into the connector. (Fig.2)

3. Align the power cable with the contact pins inside the connector and close the connector (Fig.3), making sure the contact pins pierce the power cable.



4. Attach the fixture to the power cable with the connector. To insure uniform brightness the first fixture should be a minimum of 10 feet (3 meters) from the transformer (not included). (Fig.4)

Adjusting the correlated color temperature of the light



5. a. Choose your favorite correlated color temperature (CCT) from three options: 3000K, 4000K or 5000K .
b. Rotate the knob clockwise or counterclockwise to make your selection.

Caution:

- a. The included connector is to be used only on low voltage power cable with 18 AWG, 16 AWG, 14 AWG or 12 AWG cable.
- b. The fixture's cable and connector shall:
- Be protected by routing in close proximity to the light fixture, or next to a building structure such as a house or deck.
 - Not be buried except for a maximum 6 inches (15.2 cm) to connect to the main low voltage cable.
 - Have a length such that the connector is within 6 inches (15.2 cm) from the light fixture or a building structure.
- c. Do not use cable smaller than listed in chart below.

SELECT CABLE. Use the chart below to determine the MINIMUM gauge cable to be used, depending on the wattage of the power pack. Using large cable will ensure maximum light output.

| Power Pack Wattage | Minimum Gauge Cable |
|--------------------|---------------------|
| 240-300 | 12 |
| 120-240 | 14-12 |
| 60-120 | 16-14-12 |
| 0-60 | 18-16-14-12 |

CARE AND MAINTENANCE

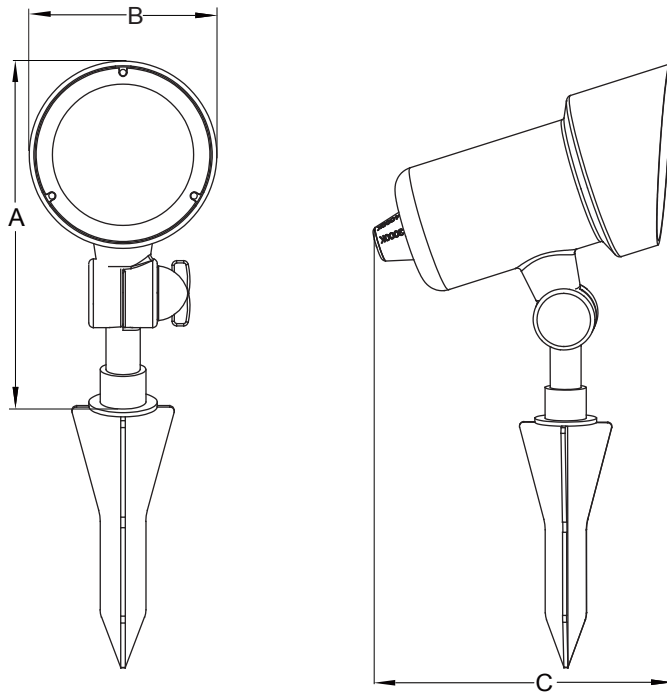
Clean the glass and coated metal surfaces with a non-abrasive cleaner. Do not use any cleaners with chemicals, solvents or harsh abrasives. Use only a soft dry cloth to dust or wipe the lens area.

TROUBLESHOOTING

If the light does not work at all:

1. Make sure the switch and circuit breaker are on.
2. Make sure the wiring connection is correct.
3. Make sure the photocell is not exposed to light (if have photocell).
4. Make sure the connections between contact pins of connector and wires from power adaptor are in good condition.

If unable to fix any of the above issues, please consult a certified electrician.



A: 7-1/4"

B: 3-1/4"

C: 6-1/2"

5 Year Limited Warranty

Vaxcel warrants all of our products against defects in workmanship and finishes for one year following the date of shipment.

In addition:

- Any product with an integrated motion sensor or dusk-to-dawn photocell is supported by a 5-year warranty for the functionality of the product.
- Any product with integrated LED modules is covered by a 5-year warranty on the LED functionality.

Exclusions: This warranty does not include the failure of products from extreme acts of nature; environmental conditions not suited for the products intended use; operation in temperatures outside of the range specified in the instruction manual; usage with improper power supply, power surges or dips. For coastal locations, some corrosion is considered normal for the environment.

Vaxcel reserves the right to repair, replace or issue a credit for any properly installed product, provided it is returned per RMA instruction. This warranty is limited to the cost of the product only and does not extend to transportation, installation or replacement costs.

How can warranty service be obtained?

info@vaxcel.com

1-800-482-9235