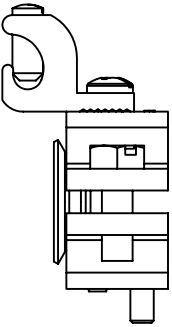
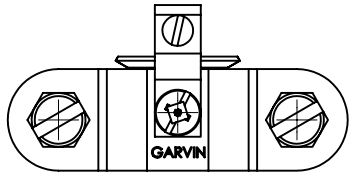
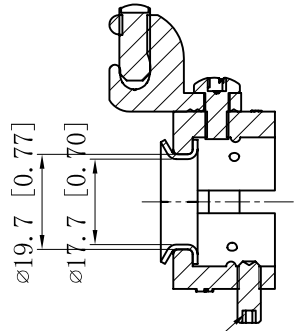
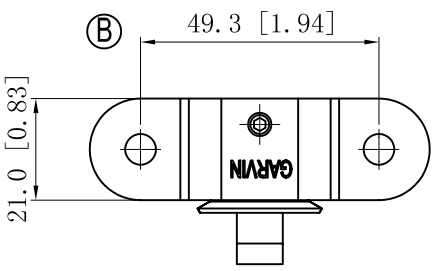
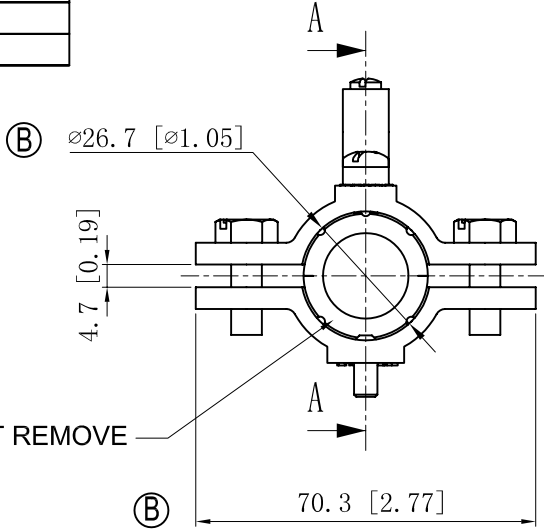


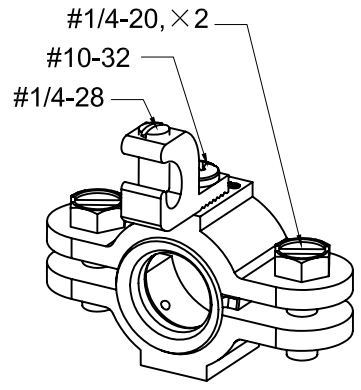
| | |
|---------------------------------------|--------|
| SIDES | BOTTOM |
| | |
| | |
| | |
| | |
| 1 PCS 10-32×3/8 Screws Installed | |
| 1 PCS 1/4-28×5/8 Screws Installed | |
| 2 PCS 1/4-20×3/4 Screws Installed | |
| 1 PCS #10-32×1/2 Set Screws Installed | |
| 1 set split bushing pack in poly-bag | |
| Material: Zamak-ZAMAK 3 | |



RUBBER CAN'T REMOVE



#10-32
CUTAWAY VIEW A-A



This data sheet is for reference only .GARVIN INDUSTRIES reserves the right to make changes to the design without prior notice.

| |
|-----------------------|
| DESCRIPTION |
| Patent pending |
| TRADE REFERENCE TERMS |
| |

| |
|------------------|
| STANDARD PACKING |
| 25 PCS |

| | | | | |
|------------|---------|--|-------------------|-----|
| TITLE | | | GARVIN INDUSTRIES | |
| TITLE | | | GROUND CHOKE | |
| SIZE | DWG NO. | | | REV |
| A4 | GCHK-75 | | | E |
| DATA SHEET | | | | |