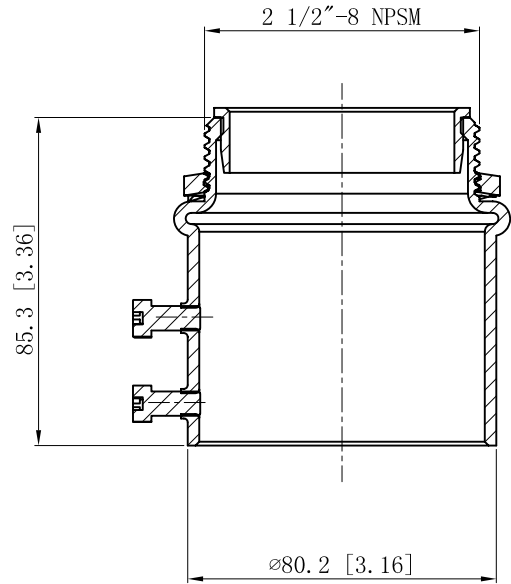
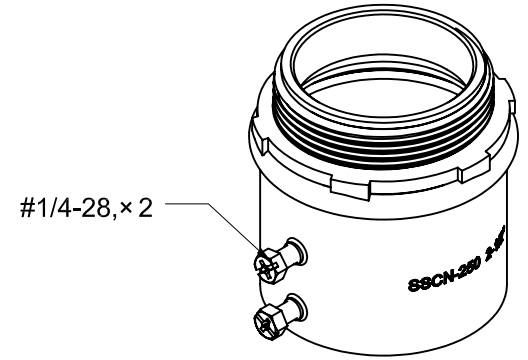
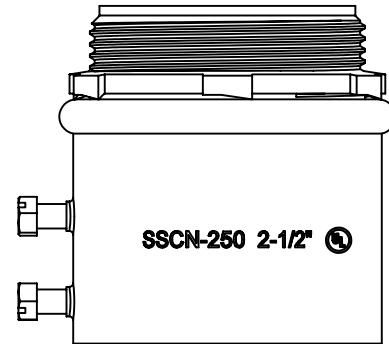
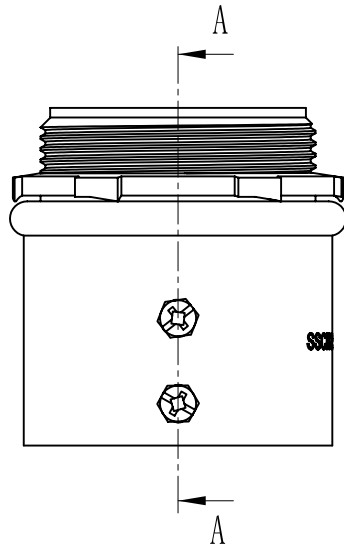


SIDES	BOTTOM
2 pcs #1/4-28×1/2 Screws Installed	
Material:Steel-Welding tube, zinc plated	



CUTAWAY VIEW A-A



DESCRIPTION
TRADE REFERENCE TERMS

STANDARD PACKING
10 PCS

This data sheet is for reference only .GARVIN INDUSTRIES reserves the right to make changes to the design without prior notice.

GARVIN INDUSTRIES			
TITLE STEEL EMT SET SCREW CONNECTORS			
SIZE A4	DWG NO.	SSCN-250I	REV A
DATA SHEET			