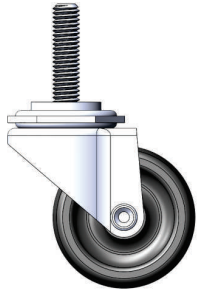


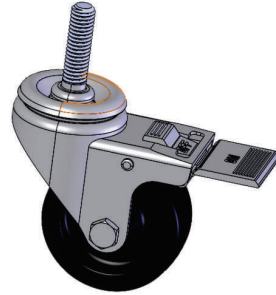
ASSEMBLY INSTRUCTION

BLEX BAR CART

Wheels without brake - 2 pcs



Wheels with brake - 2 pcs



Allen Screws - 16 pcs



Allen Key - 1 pc



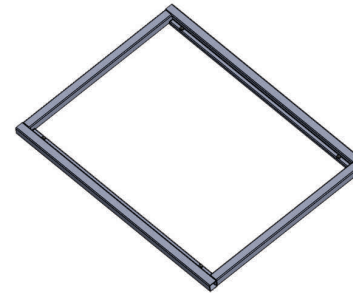
Side Frames - 2 pcs



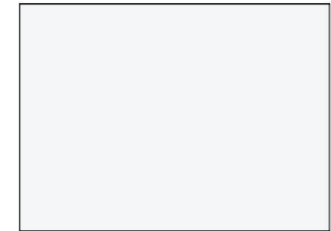
Cross Bars - 2 pcs



Tray Frames - 3 pcs

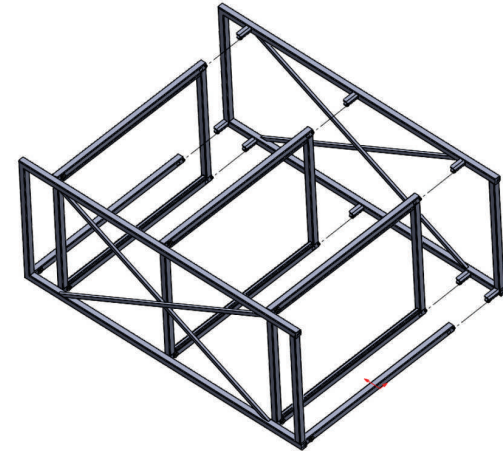


Glass Shelves. 3 pcs





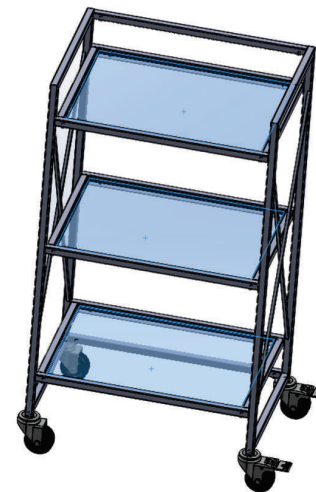
Step 1: Fix the tray frames and both cross bars, in one of the side panels, secure with help of Allen screws as shown. Partially fasten the screws.



Step 2: Repeat step 1 for the other side of the frame. Now fully fasten all the screws of both left and right panel



Step 3: Once the frame is ready and secure, fix the wheels.



Step 4: Place the glass shelves and cart is ready to use.