

SCHOOLHOUSE

Satellite 2.25", Metal Dish Shade



Application: Surface Mount

Product Origin: Processed and assembled in Portland, Oregon using ethically-sourced domestic and global components.

UL Listed: Yes

Max Wattage: 100 W

Voltage: 120/220 V

Location Rating: Damp

Dimensions:

Overall: 5" H x 10" W x 10" D

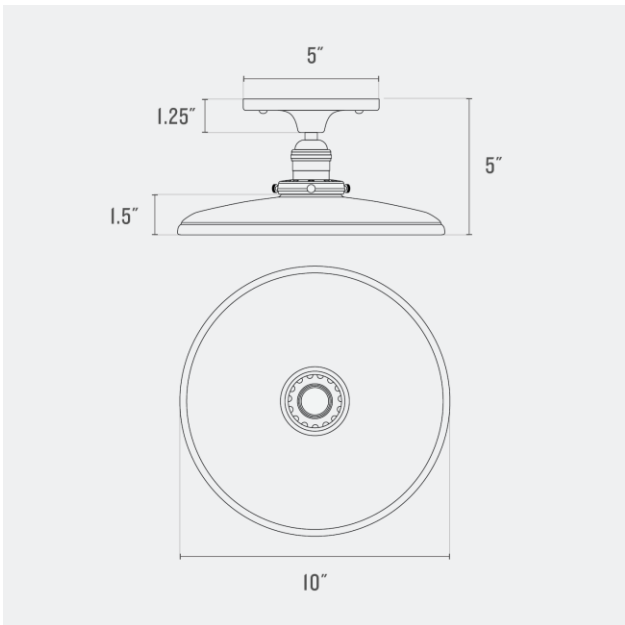
Shade: 1.5" H x 10" W x 10" D

Canopy: 1.25" H x 5" W x 5" D

Fitter Size: 2.25"

Materials: Brass, Steel

One year guarantee



Fixture Option(s)



Natural Brass
(NB)



True Black
(TB)

Shade Option(s)



White, Gloss
(WT-G)



Persimmon
(RD)



Black, Gloss
(BkG)



True Black
(TB)



Sergeant Green
(SG)



Navy
(NV)



Natural Brass
(NB)

SCHOOLHOUSE

Satellite 2.25", Metal Slim Cone Shade

Application: Surface Mount

Product Origin: Processed and assembled in Portland, Oregon using ethically-sourced domestic and global components.

UL Listed: Yes

Max Wattage: 100 W

Voltage: 120/220 V

Location Rating: Damp

Dimensions:

Overall: 8.25" H x 7.25" W x 7.25" D

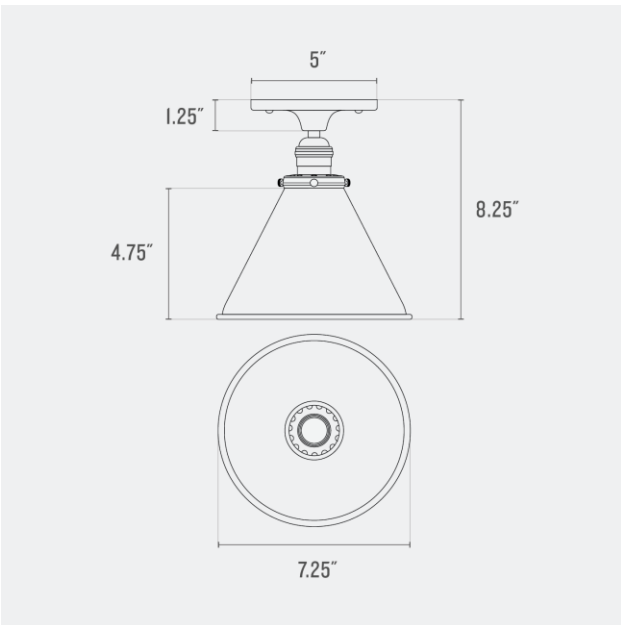
Shade: 4.75" H x 7.25" W x 7.25" D

Canopy: 1.25" H x 5" W x 5" D

Fitter Size: 2.25"

Materials: Brass

One year guarantee



Fixture Option(s)



Natural Brass
(NB)



True Black
(TB)

Shade Option(s)



Natural Brass
(NB)



True Black
(TB)

SCHOOLHOUSE

Satellite 2.25", Open Globe Shade



Application: Surface Mount

Product Origin: Processed and assembled in Portland, Oregon using ethically-sourced domestic and global components.

UL Listed: Yes

Max Wattage: 100 W

Voltage: 120/220 V

Location Rating: Damp

Dimensions:

Overall: 10.25" H x 8" W x 8" D

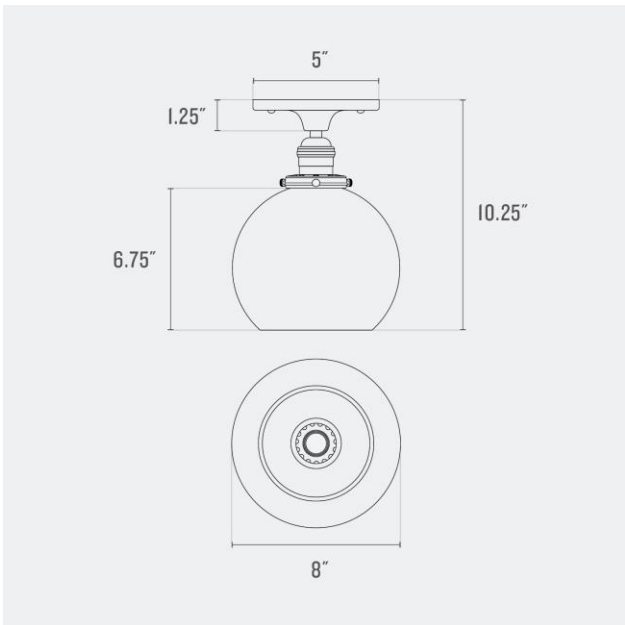
Shade: 6.75" H x 8" W x 8" D

Canopy: 1.25" H x 5" W x 5" D

Fitter Size: 2.25"

Materials: Brass, Glass

One year guarantee



Fixture Option(s)



True Black
(TB)



Natural Brass
(NB)

Shade Option(s)



Clear Glass
(CL)



Opal Glass
(OP)

SCHOOLHOUSE

Satellite 2.25", Saucer Shade



Application: Surface Mount

Product Origin: Processed and assembled in Portland, Oregon using ethically-sourced domestic and global components.

UL Listed: Yes

Max Wattage: 100 W

Voltage: 120/220 V

Location Rating: Damp

Dimensions:

Overall: 4.875" H x 8.5" W x 8.5" D

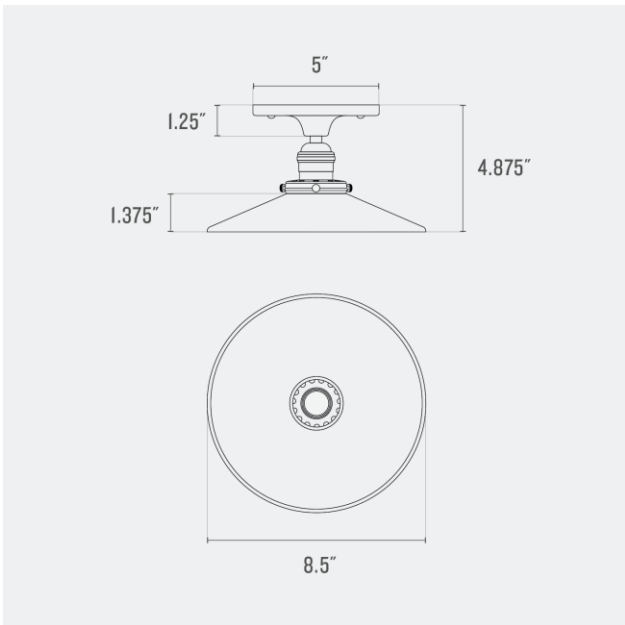
Shade: 1.375" H x 8.5" W x 8.5" D

Canopy: 1.25" H x 5" W x 5" D

Fitter Size: 2.25"

Materials: Brass, Glass

One year guarantee



Fixture Option(s)



True Black
(TB)



Natural Brass
(NB)

Shade Option(s)



Clear Glass
(CL)



Opal Glass
(OP)

SCHOOLHOUSE

Satellite 2.25", Slim Cone Shade



Application: Surface Mount

Product Origin: Processed and assembled in Portland, Oregon using ethically-sourced domestic and global components.

UL Listed: Yes

Max Wattage: 100 W

Voltage: 120/220 V

Location Rating: Damp

Dimensions:

Overall: 8.125" H x 6.625" W x 6.625" D

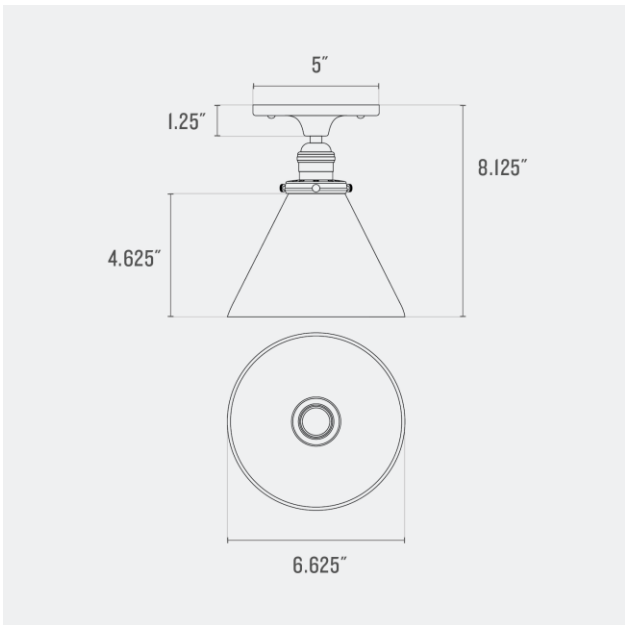
Shade: 4.625" H x 6.625" W x 6.625" D

Canopy: 1.25" H x 5" W x 5" D

Fitter Size: 2.25"

Materials: Brass, Glass

One year guarantee



Fixture Option(s)



Natural Brass
(NB)



True Black
(TB)

Shade Option(s)



Opal Glass
(OP)



Clear Glass
(CL)

SCHOOLHOUSE

Satellite 2.25", Straight Bell Shade Shade

Application: Surface Mount

Product Origin: Processed and assembled in Portland, Oregon using ethically-sourced domestic and global components.

UL Listed: Yes

Max Wattage: 100 W

Voltage: 120/220 V

Location Rating: Damp

Dimensions:

Overall: 8.125" H x 5" W x 5" D

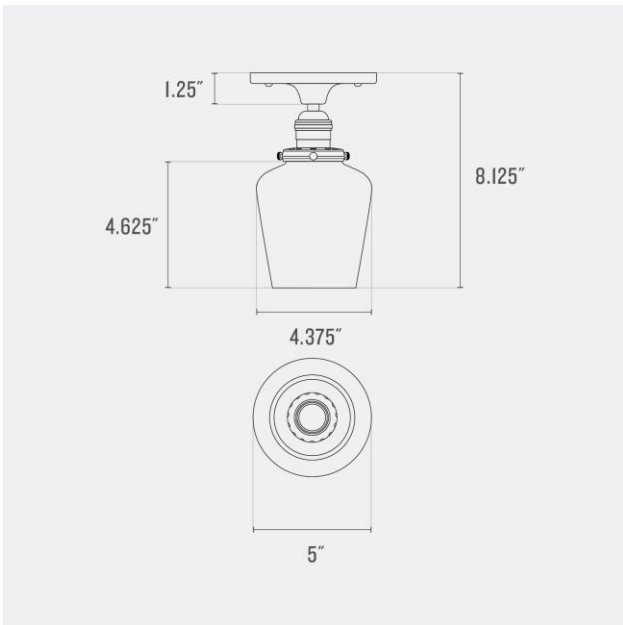
Shade: 4.625" H x 4.375" W x 4.375" D

Canopy: 1.25" H x 5" W x 5" D

Fitter Size: 2.25"

Materials: Brass, Glass

One year guarantee



Fixture Option(s)



True Black
(TB)



Natural Brass
(NB)

Shade Option(s)



Clear Glass
(CL)



Opal Glass
(OP)



Black Pinstripe
(BPS)



Gray Bands
(GB)

SCHOOLHOUSE

Satellite 2.25", Wide Cone Shade



Application: Surface Mount

Product Origin: Processed and assembled in Portland, Oregon using ethically-sourced domestic and global components.

UL Listed: Yes

Max Wattage: 100 W

Voltage: 120/220 V

Location Rating: Damp

Dimensions:

Overall: 8.5" H x 9.5" W x 9.5" D

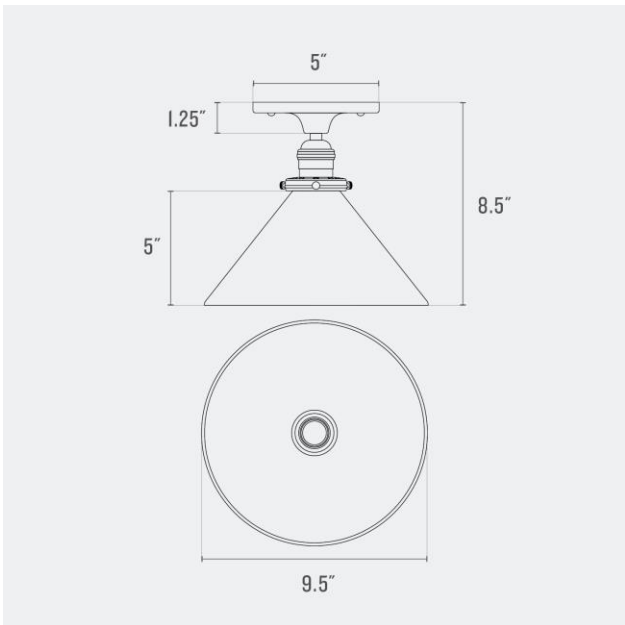
Shade: 5" H x 9.5" W x 9.5" D

Canopy: 1.25" H x 5" W x 5" D

Fitter Size: 2.25"

Materials: Brass, Glass

One year guarantee



Fixture Option(s)



Natural Brass
(NB)



True Black
(TB)

Shade Option(s)



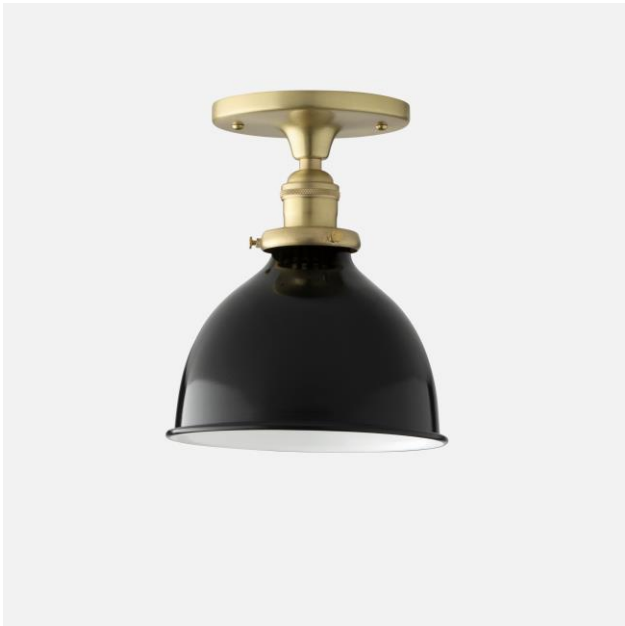
Opal Glass
(OP)



Clear Glass
(CL)

SCHOOLHOUSE

Satellite 2.25", Metal Bell Shade



Application: Surface Mount

Product Origin: Processed and assembled in Portland, Oregon using ethically-sourced domestic and global components.

UL Listed: Yes

Max Wattage: 100 W

Voltage: 120/220 V

Location Rating: Damp

Dimensions:

Overall: 8.25" H x 7" W x 7" D

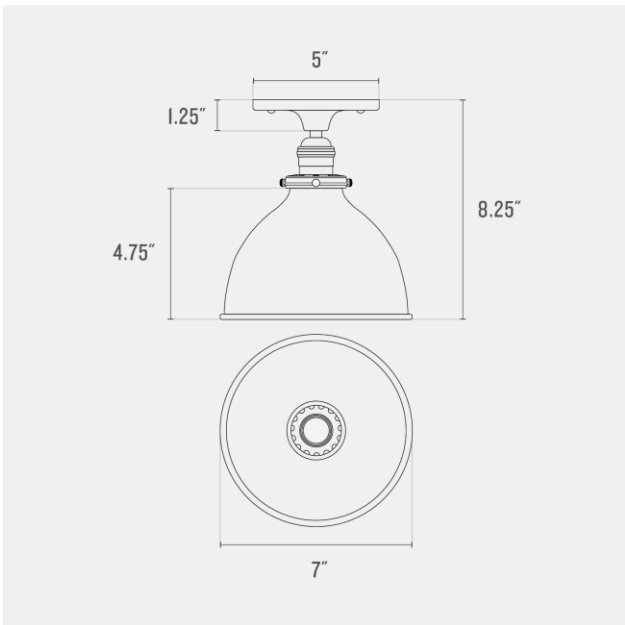
Shade: 4.75" H x 7" W x 7" D

Canopy: 1.25" H x 5" W x 5" D

Fitter Size: 2.25"

Materials: Brass, Steel

One year guarantee



Fixture Option(s)



Natural Brass
(NB)



True Black
(TB)

Shade Option(s)



Persimmon
(RD)



Natural Brass
(NB)



Sergeant Green
(SG)



Satin Nickel
(SN)



Navy
(NV)



Black, Gloss
(BkG)



Polished Nickel
(PN)



True Black
(TB)



White, Gloss
(WT-G)