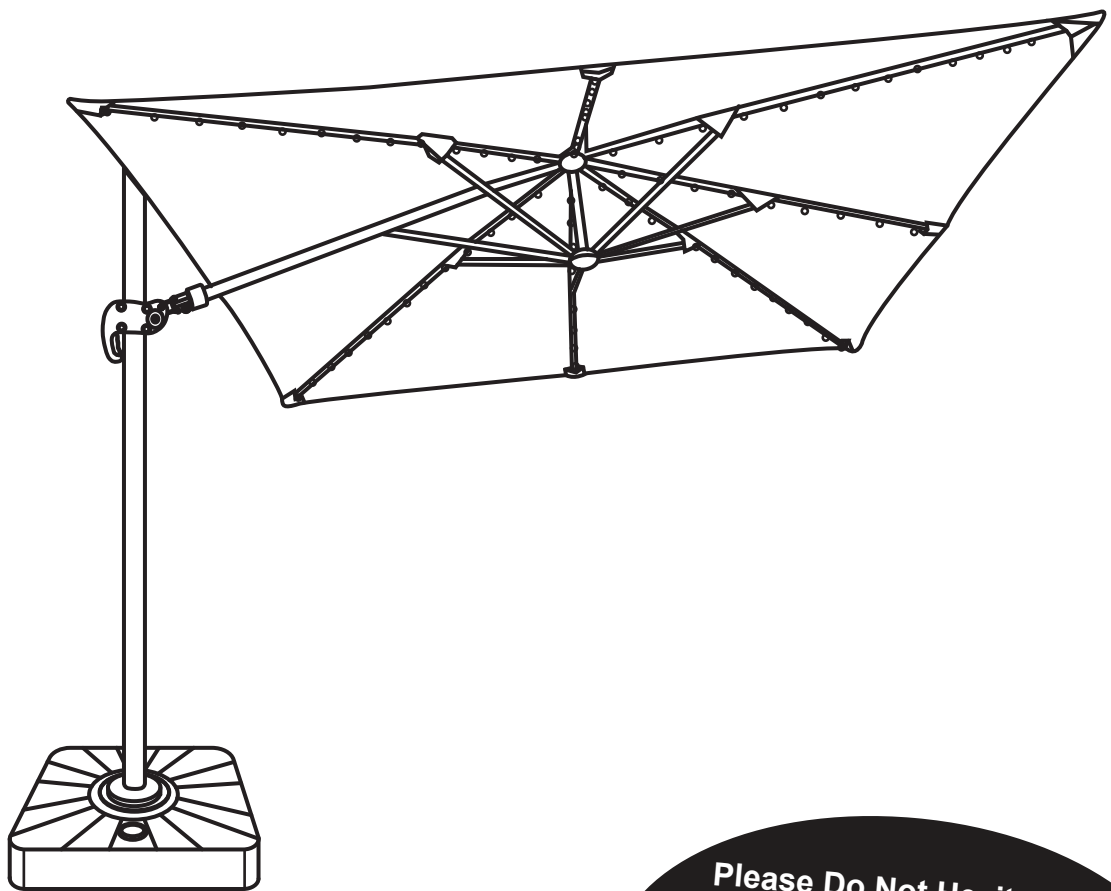




Santorini II Fiesta 10-ft Square Cantilever
Solar LED Umbrella with Sunbrella® Fabric



**Please Do Not Hesitate to
Contact Our Consumer Hotline
at 800-759-0977
with Any Questions That May
Arise During Assembly or
Use of This Product!**

NU6245B • NU6250B • NU6255B

PACKAGE CONTENTS

A – (1) Main Umbrella*

B – (1) Plastic Water Fillable Stand
(incl. in separate carton as **NU6000JL**)

C – (1) Base Pole, NUP4117

D – (1) Swivel Cover, NUP4118

E – (1) Allen Wrench, NUP4119

F – (4) Stainless Bolt, NUP4120

G – (4) Washer, NUP4121

H – (1) Threaded Knob, NUP4122

I – (1) Crank Handle, NUP4123

J – (1) Umbrella Cover, NUP4124

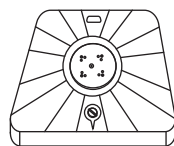
K – (1) Solar Panel, NUP4125

* For main umbrella replacement
please specify the item number
for your umbrella

A



B



C



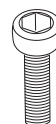
D



E



F



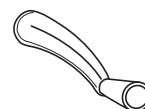
G



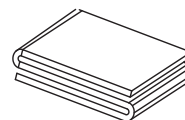
H



I



J



K



SAFETY INFORMATION

Please read and understand this entire manual before attempting to assemble or install the product.

- Assemble on level ground.
- Keep children away from assembly area.
- Two adults are required for safe assembly.
- The stand is quite heavy (220lbs) after being filled with water, special attention is necessary for your safety.
- In case you want to move the umbrella to a new place, please close the umbrella and pour the water out of the stand first.

PREPARATION

Before beginning assembly of product, make sure all parts are present. Compare parts with package contents list. If any part is missing or damaged, do not attempt to assemble the product.

Estimated Assembly Time: 10 Minutes

The tool for assembly is with the umbrella

CARE AND MAINTENANCE

Clean with mild soap and lukewarm water, rinse and air dry.

When not in use, close and cover the umbrella with the protective cover (included).

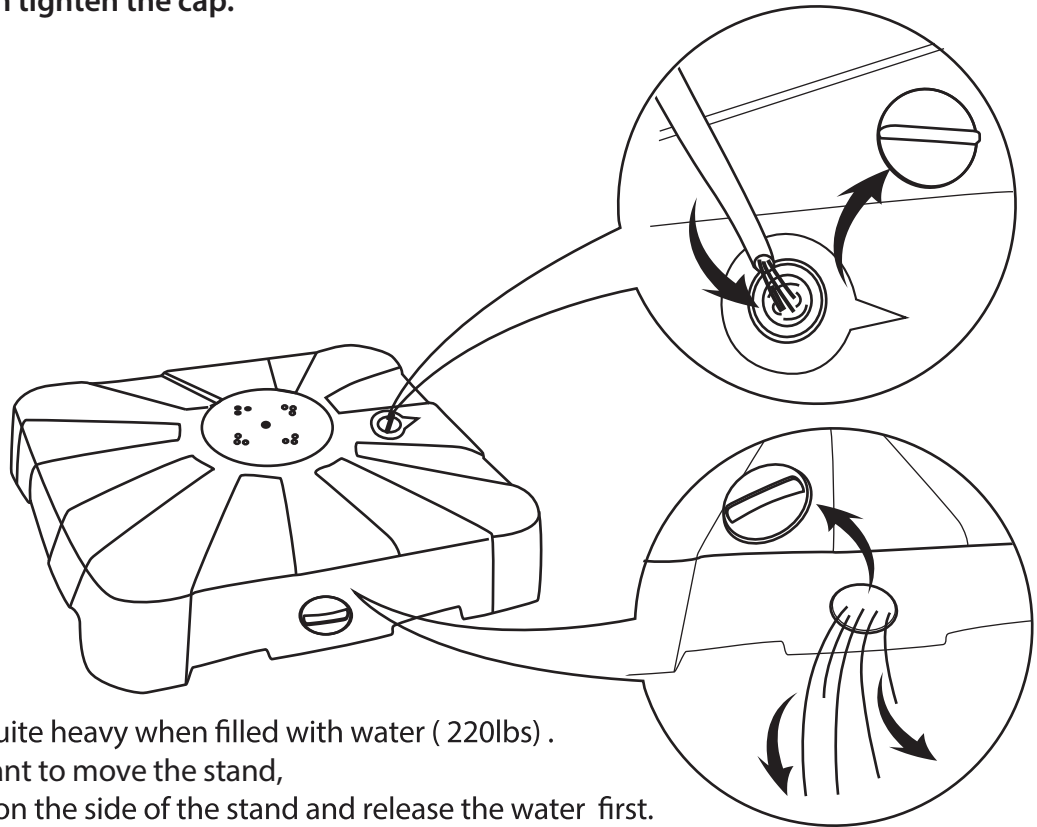
The umbrella must be closed in windy weather to avoid any damages.

Store the product indoors in a cool, dry place.

ASSEMBLY INSTRUCTIONS

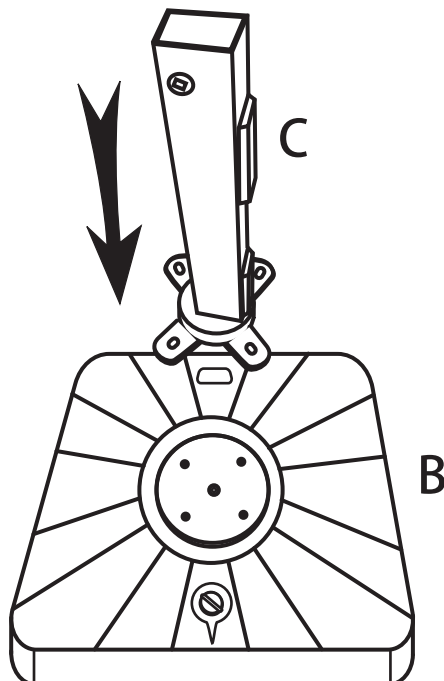
Carefully check all packaging materials before discarding.
Do not assemble if there are missing pieces.

- Step 1** Put the stand on a level ground where you intend to locate your umbrella.
Open the cap on the top of the stand & fill the stand with water.
Then tighten the cap.

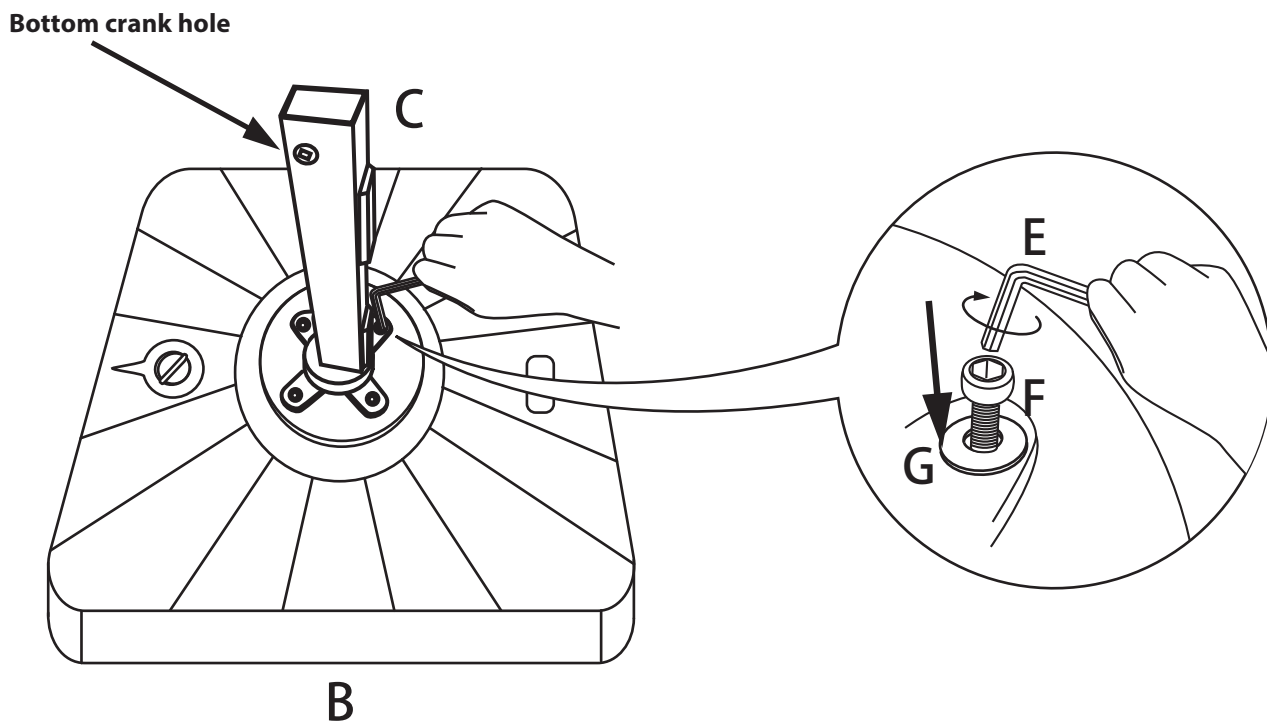


The stand is quite heavy when filled with water (220lbs) .
In case you want to move the stand,
open the cap on the side of the stand and release the water first.

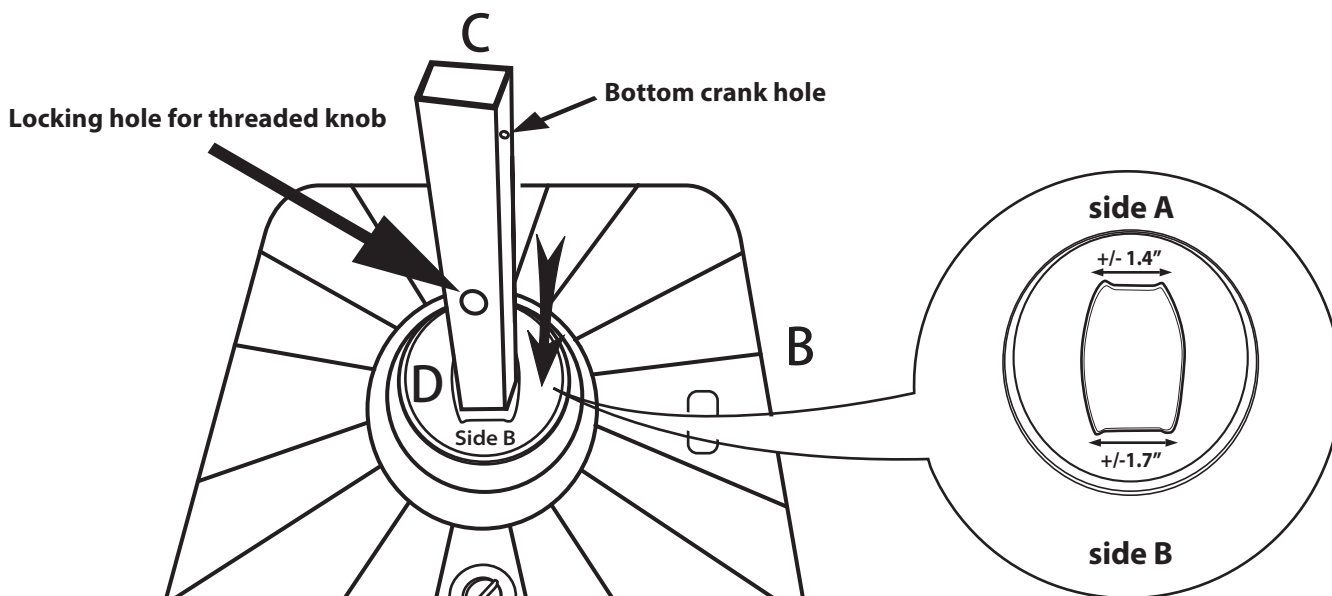
- Step 2** Put the Base Pole (C) on the top of the Plastic Water Fillable Stand (B).



Step 3 Attach the Base Pole (C) on the top of the Plastic Water Fillable Stand (B) with Bolts (F) & Washers (G), using the Allen Wrench (E) to tighten



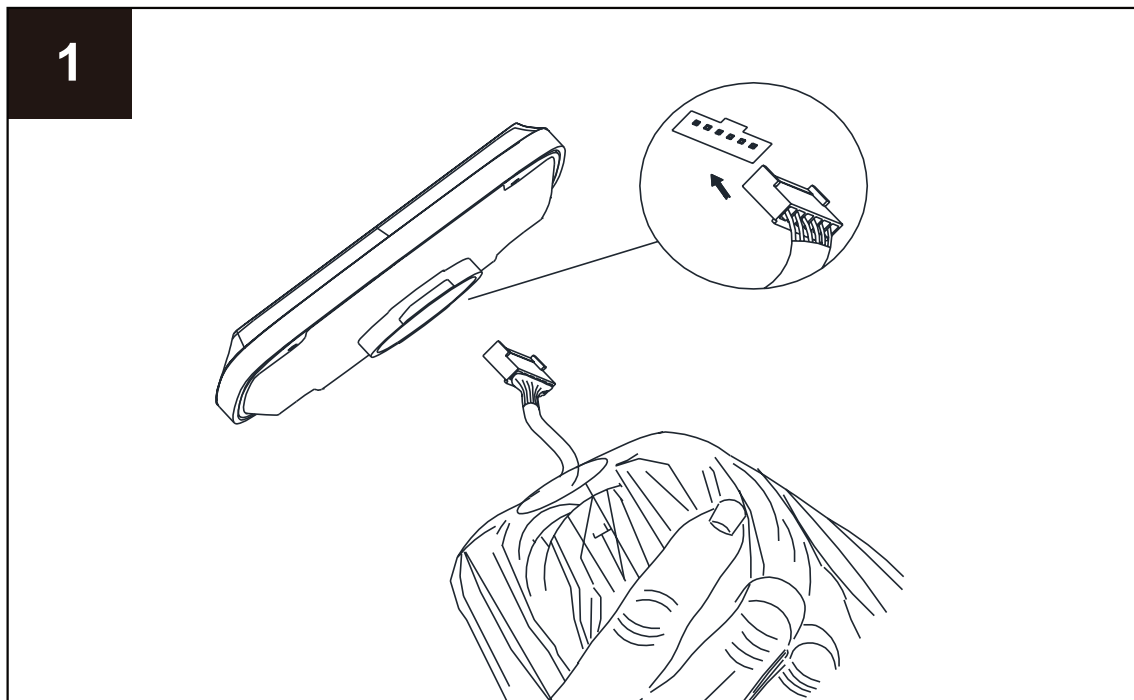
Step 4 Place the Swivel Cover (D) around the Base Pole (C).



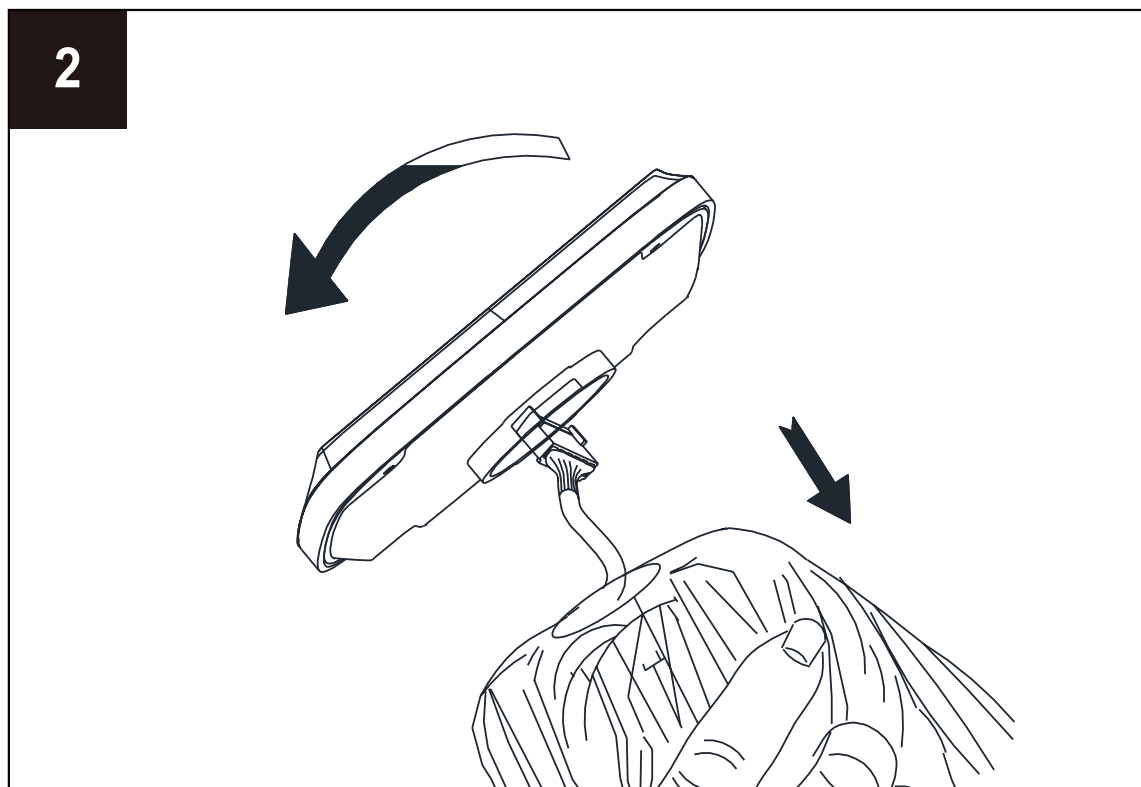
Important Notice :
Pay attention to the size of the middle hole in the Swivel Cover (D).
Side A / Front Side : +/- 1.4", Side B / Rear Side : +/- 1.7".
Side B of the Swivel Cover (D) and the locking hole on the Base Pole (C) must be on the same side.

Step 5 Attach the Solar Panel (K) to the top of the umbrella.

1 : Insert the plug into the socket under the Solar Panel (K).

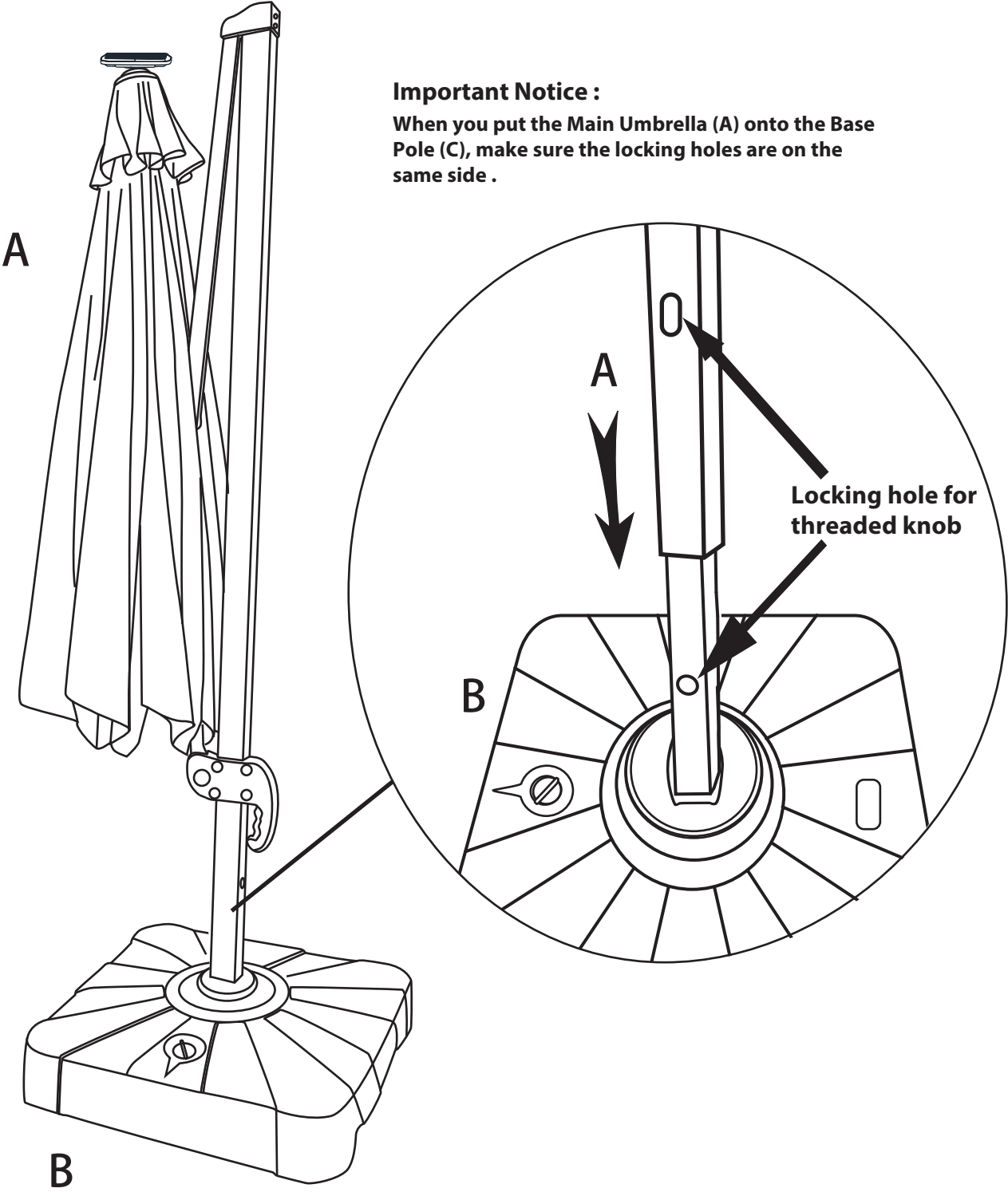


2 : Put the Solar Panel (K) on the top of umbrella and hide the plug and wire inside the groove at the top of umbrella. Then turn the Solar Panel (K) clockwise. Do not over tighten.

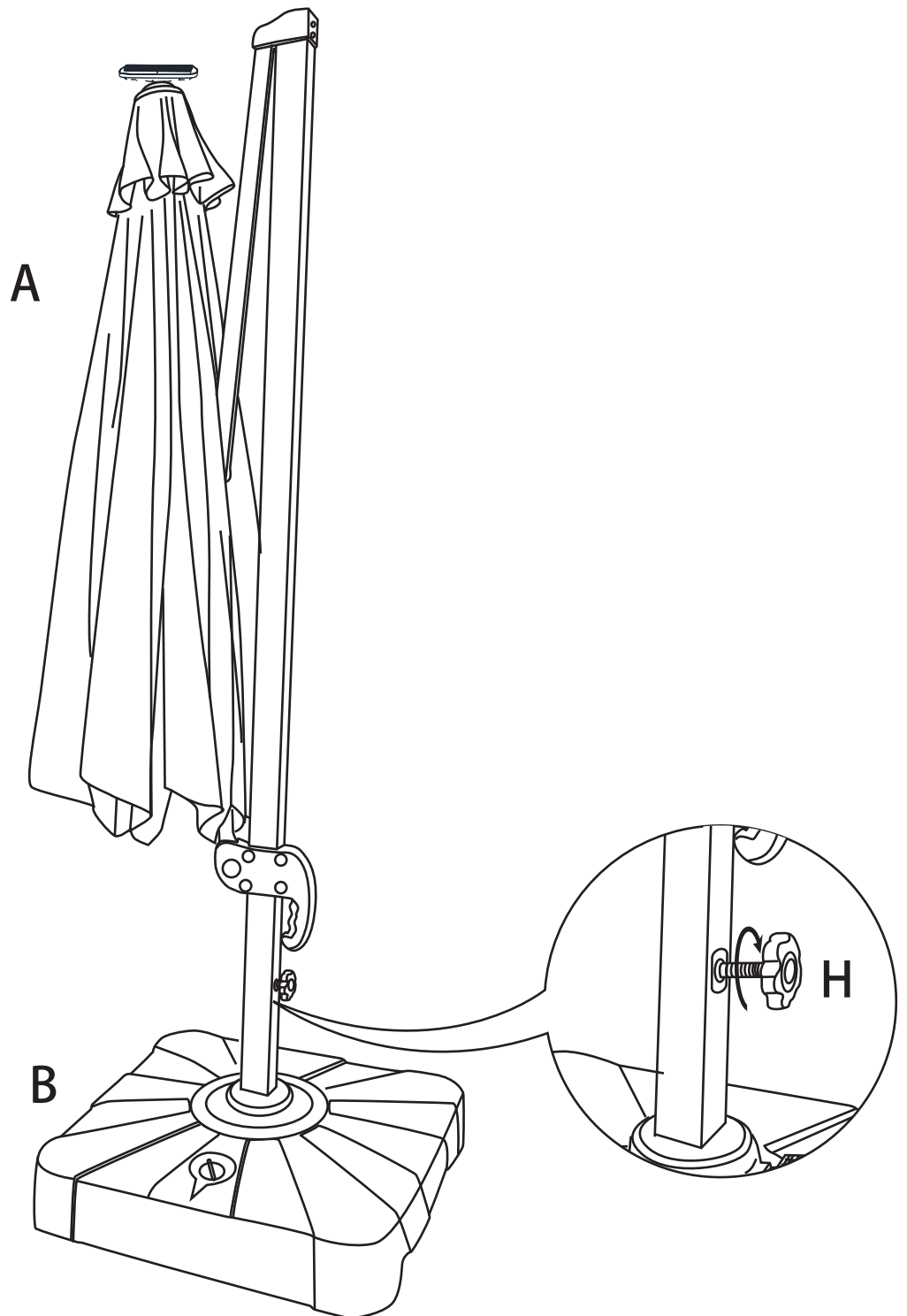


Step 6 Put the Main Umbrella (A) over the Base Pole (C)

Important Notice :
When you put the Main Umbrella (A) onto the Base Pole (C), make sure the locking holes are on the same side .

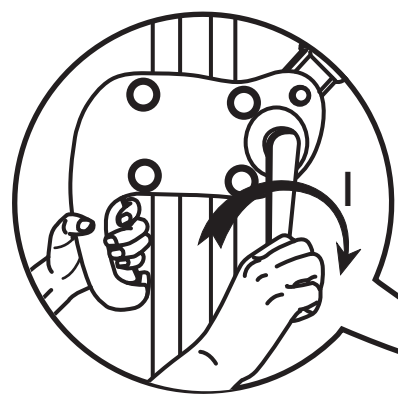


Step 7 Screw the Threaded Knob (H) into the locking hole clockwise.

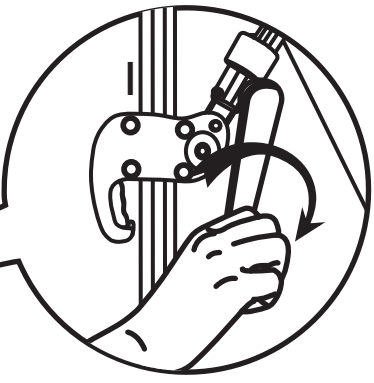


Step 8 There are 3 Crank Holes on your umbrella.
Top crank hole for canopy tilting,
Bottom crank hole for 360 degree rotation.
Middle crank hole for umbrella opening and closing.

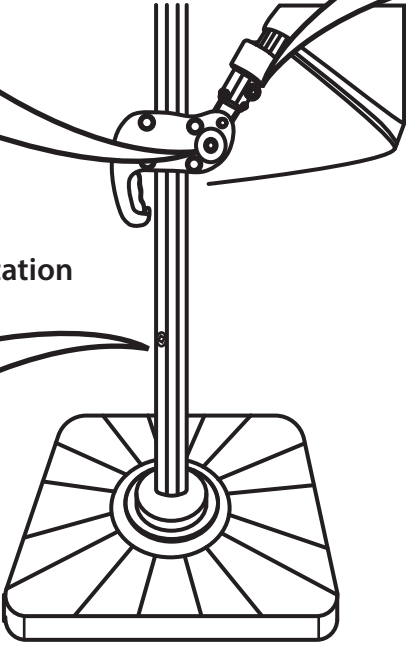
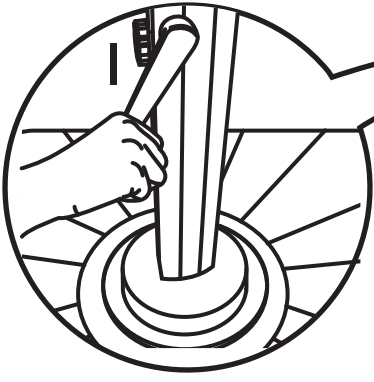
Middle Crank Hole for umbrella opening and closing



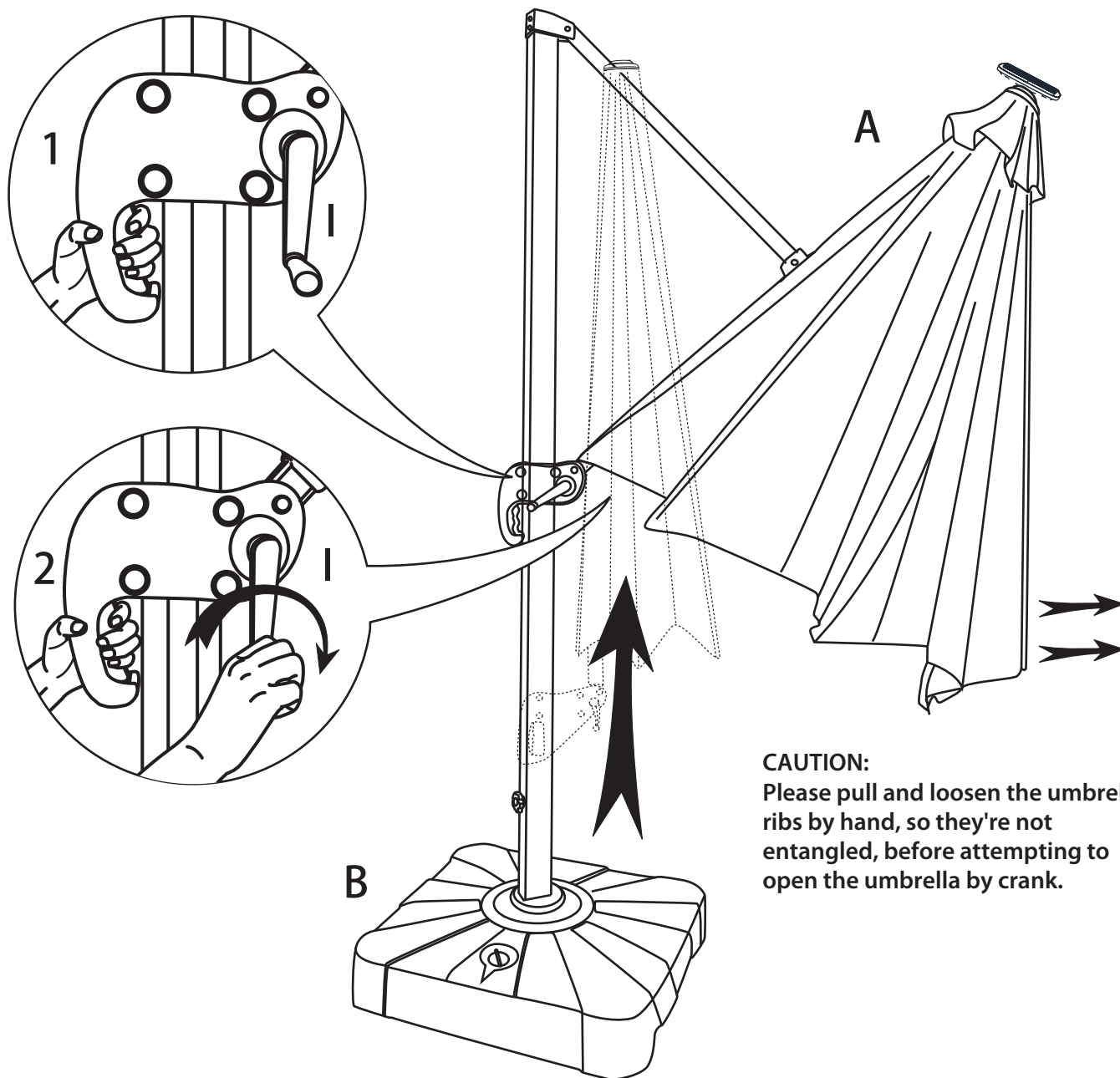
Top Crank Hole for canopy tilting



Bottom Crank Hole for 360 degree rotation

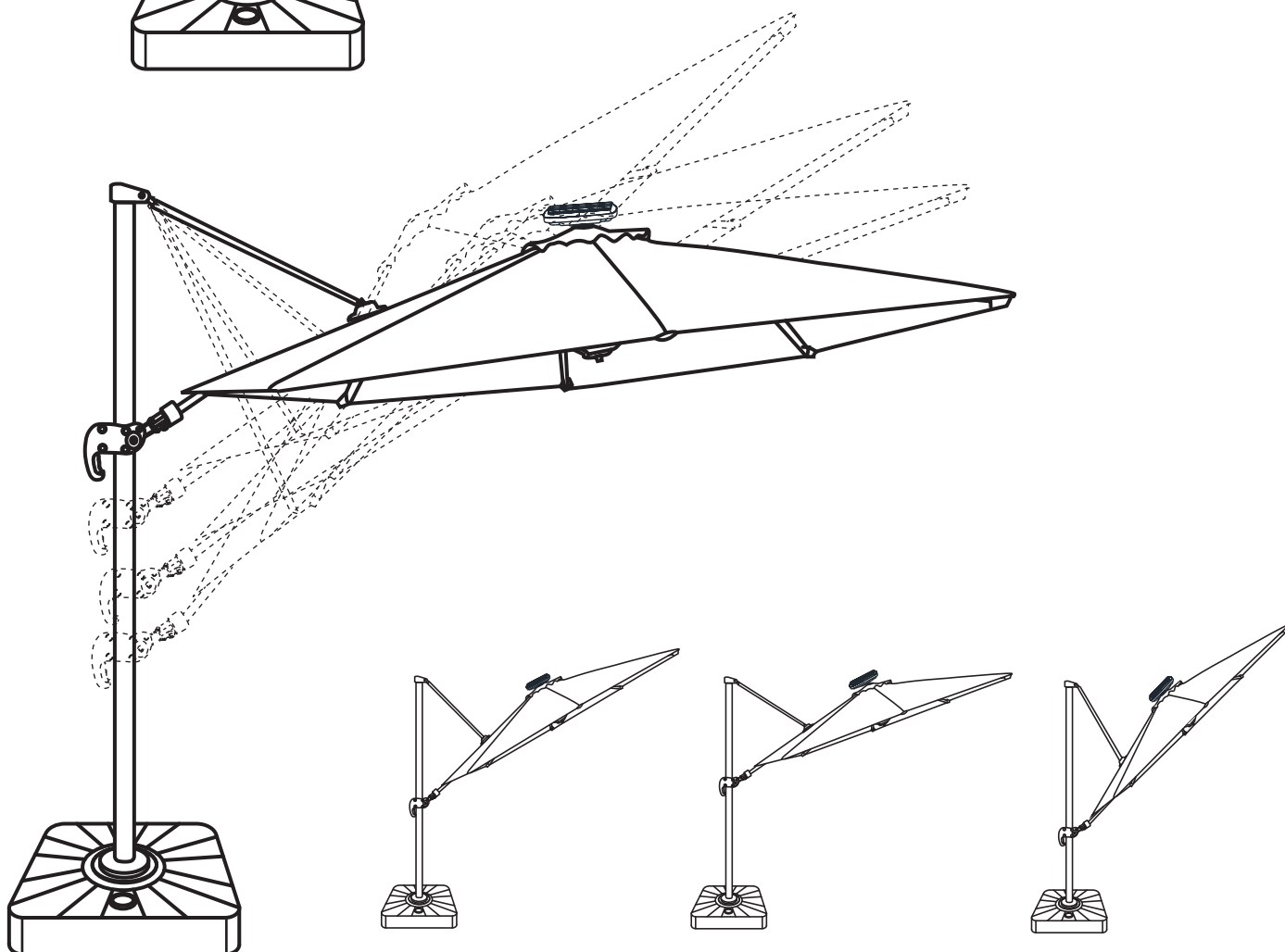
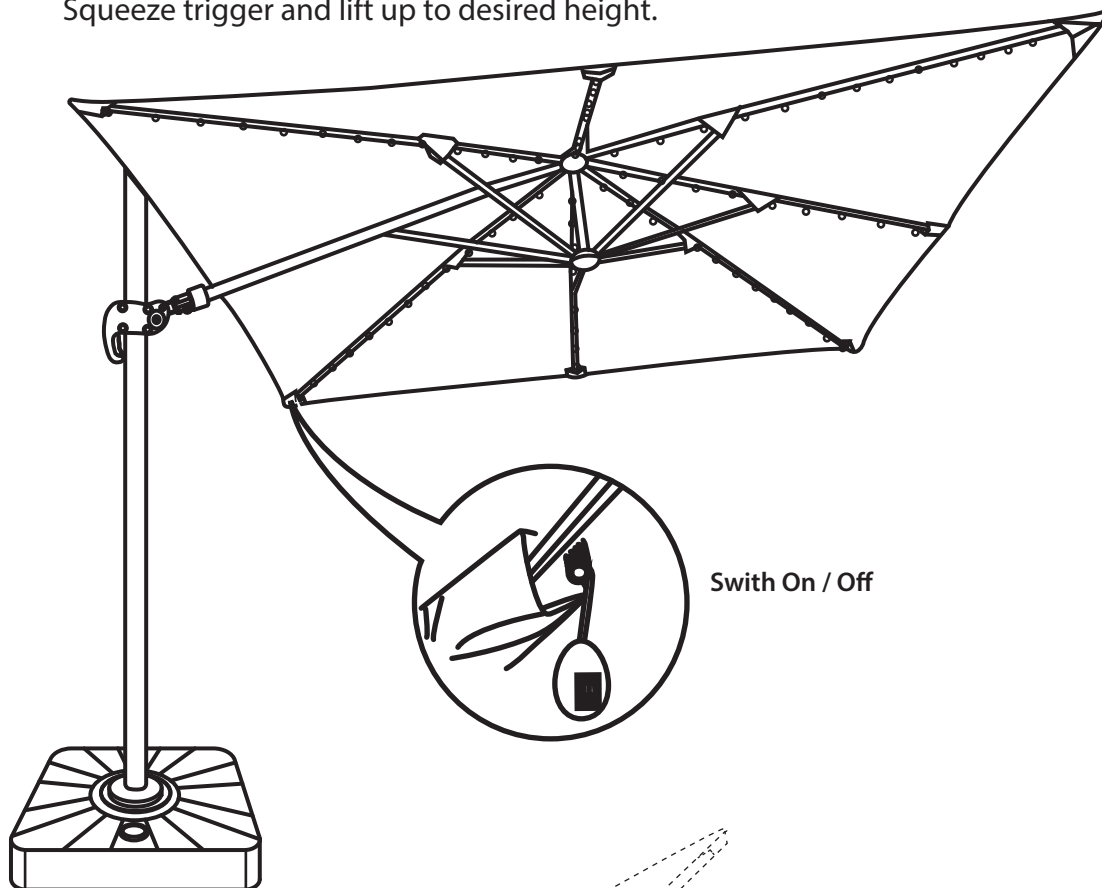


Step 9 Squeeze the trigger before attempting to raise the crank housing. Insert the Crank Handle (I) into the middle crank hole and turn clockwise to extend umbrella fully.

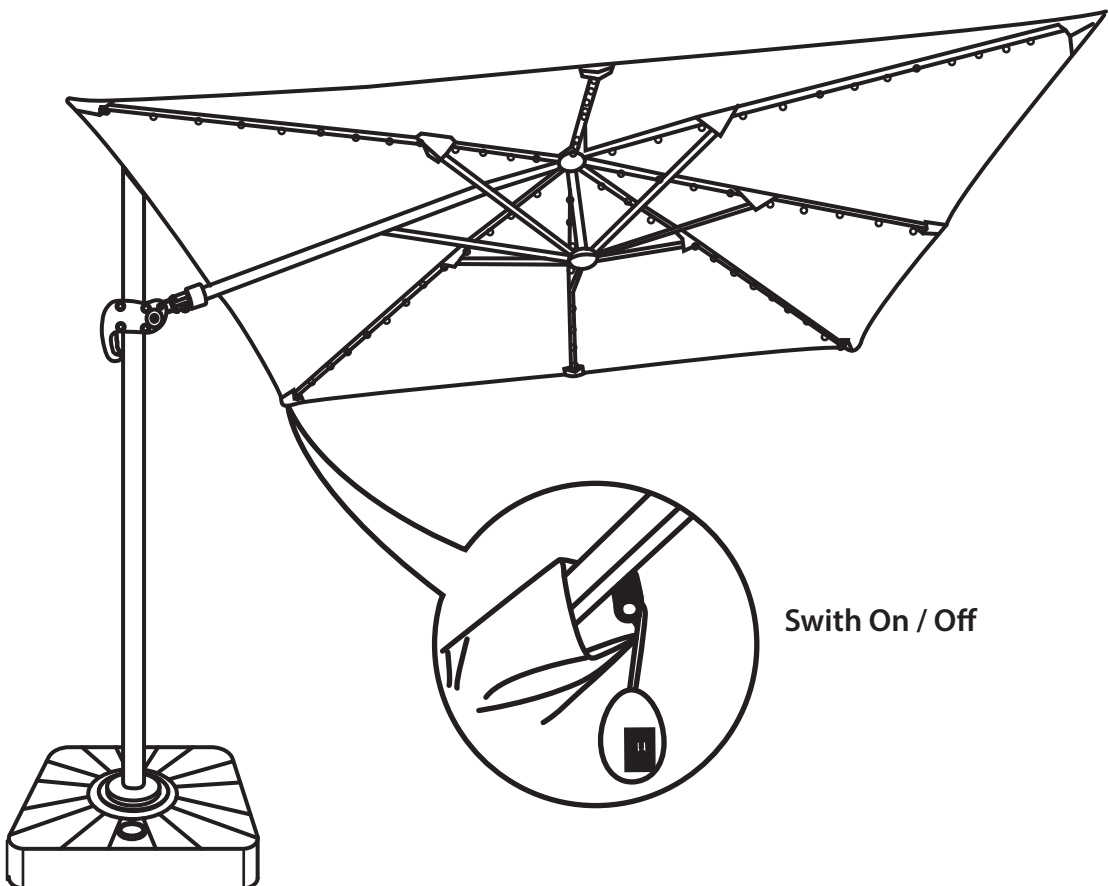
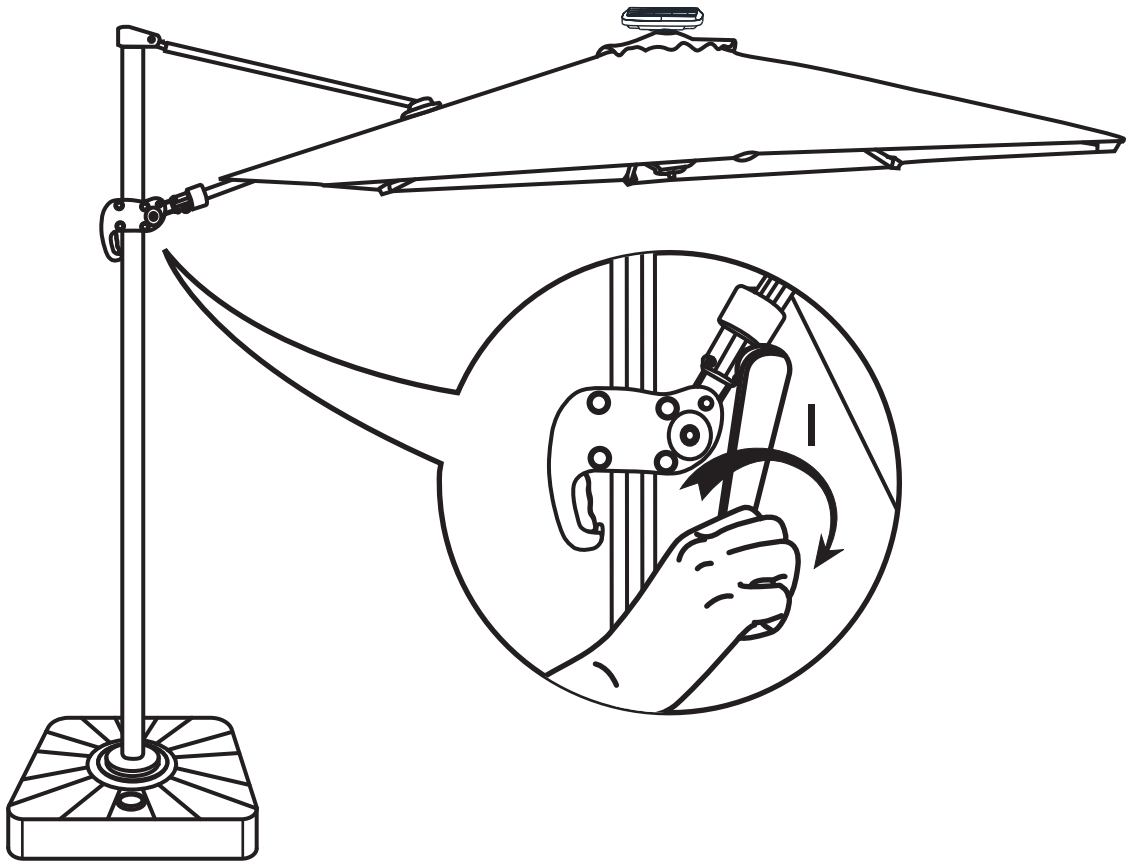


CAUTION:
Please pull and loosen the umbrella ribs by hand, so they're not entangled, before attempting to open the umbrella by crank.

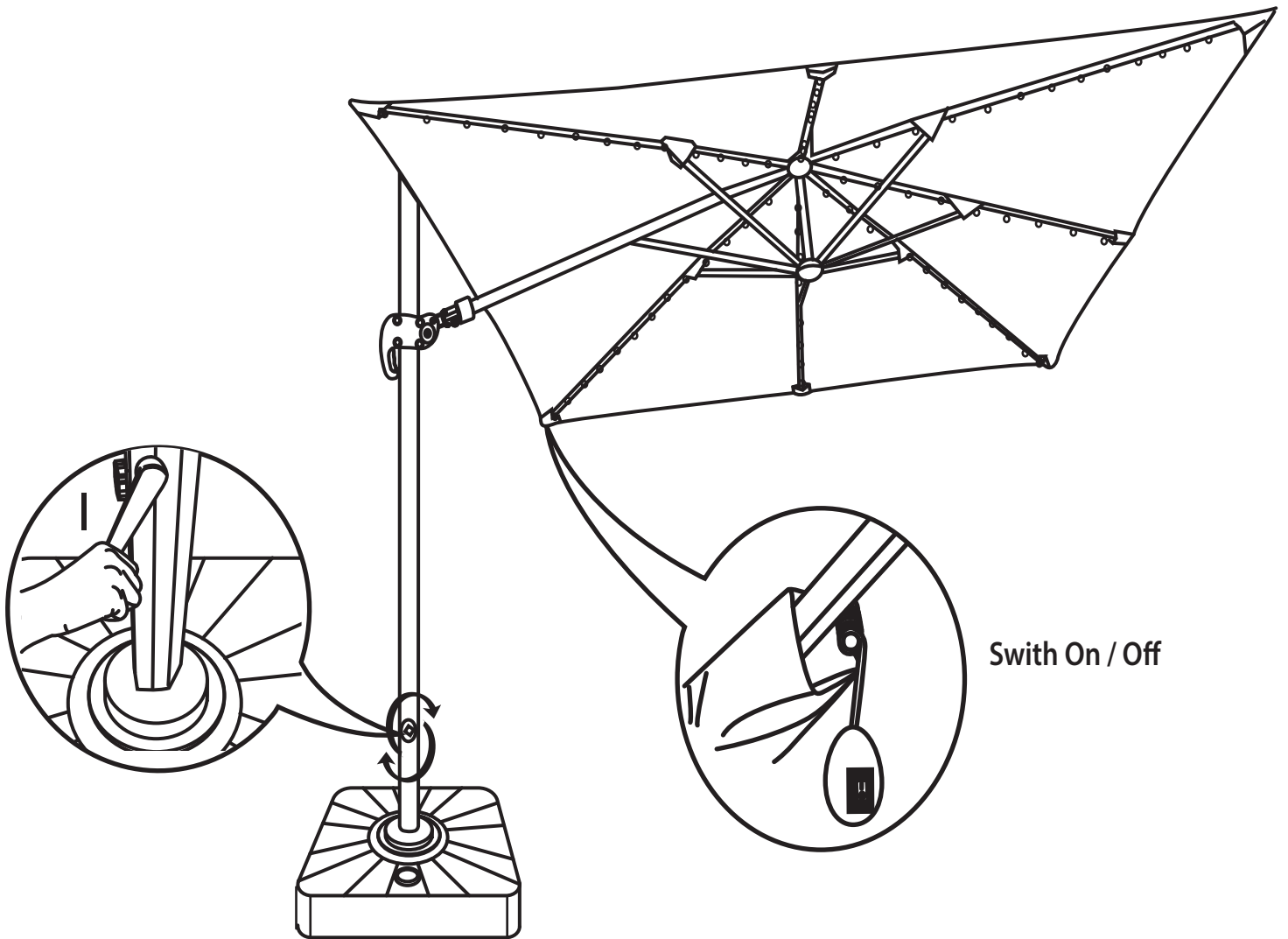
Step 10 The umbrella has 6 position holes on the main pole to fix the canopy at different angles .
Squeeze trigger and lift up to desired height.



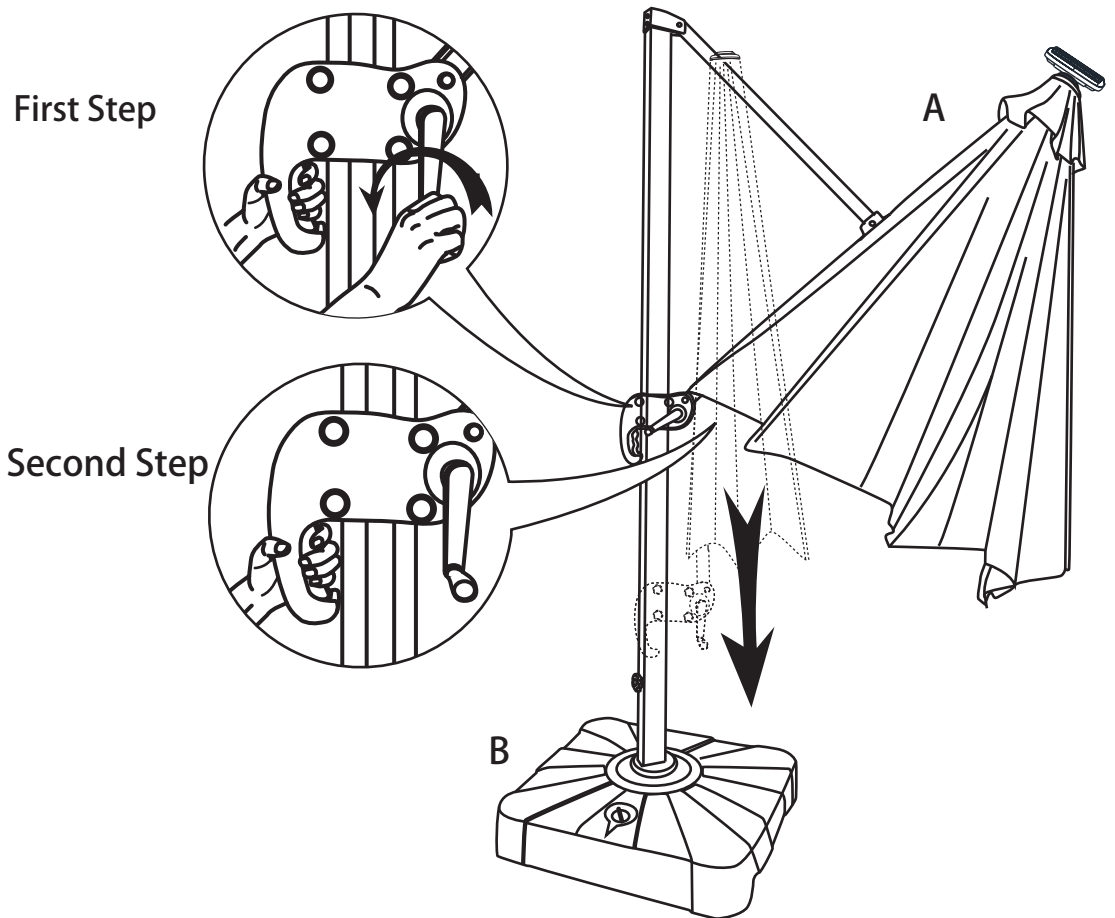
Step 11 Insert the Crank Handle (I) into the top crank hole to tilt your umbrella canopy.



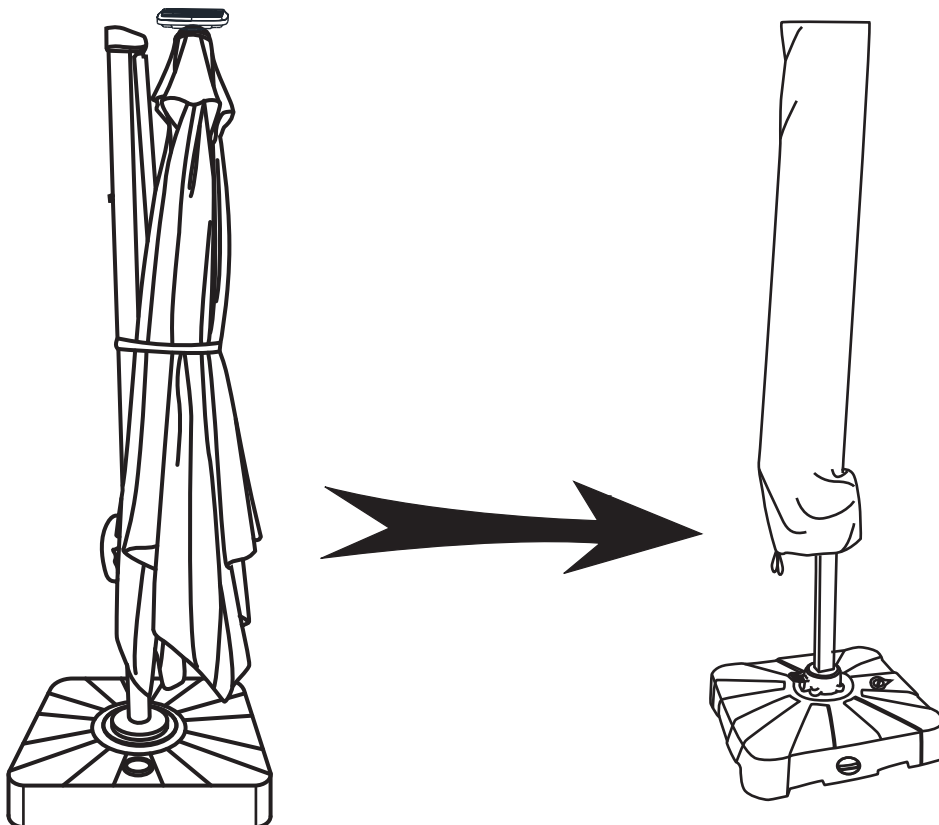
Step 12 Insert the Crank Handle (I) into the bottom crank hole to rotate your umbrella 360 degrees.



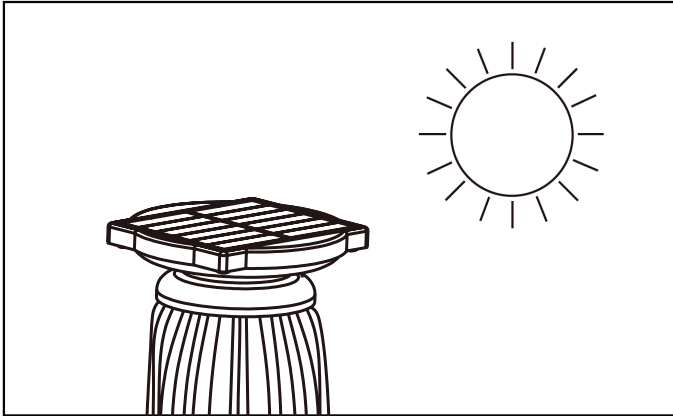
Step 13 Squeeze the trigger before attempting to lower the crank housing. Turn the crank handle counter-clockwise to close the umbrella, then squeeze and pull down on trigger to lower.



Step 14 When not in use, place Umbrella Cover (J) over the umbrella.



Battery Charging



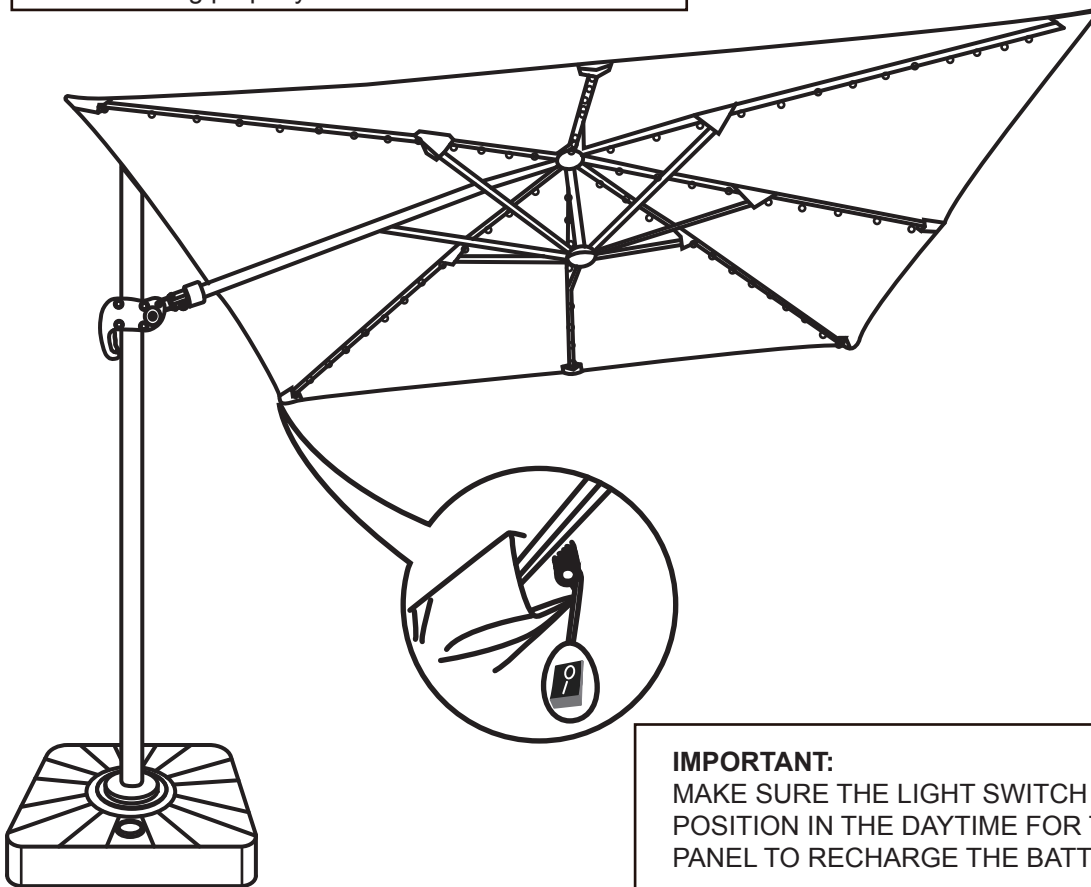
Put the solar umbrella in direct sunlight to charge the batteries for 8 hours before the first use.

YOU MUST CHARGE BATTERIES BEFORE FIRST USE.

- Please note that batteries can discharge if they are left unused or uncharged for a long period of time. We recommend you charge your solar umbrella for at least 8 hours in direct sunlight before the first use. Failure to charge the batteries will result in premature dimming of the lights in your new solar umbrella. **MAKE SURE THE LIGHT SWITCH IS IN THE OFF POSITION WHEN CHARGING THE SOLAR PANEL** (see illustration at left).
- For everyday normal use, turn on the light switch at nighttime when you want to use the solar light and turn OFF the light switch AFTER EVERY USE.

IMPORTANT:

Please remove the plastic film on the solar panel. This protective film is to prevent damage during shipping. Failure to remove the film will result in the solar panel not functioning properly.



IMPORTANT:

MAKE SURE THE LIGHT SWITCH IS IN THE OFF POSITION IN THE DAYTIME FOR THE SOLAR PANEL TO RECHARGE THE BATTERIES.

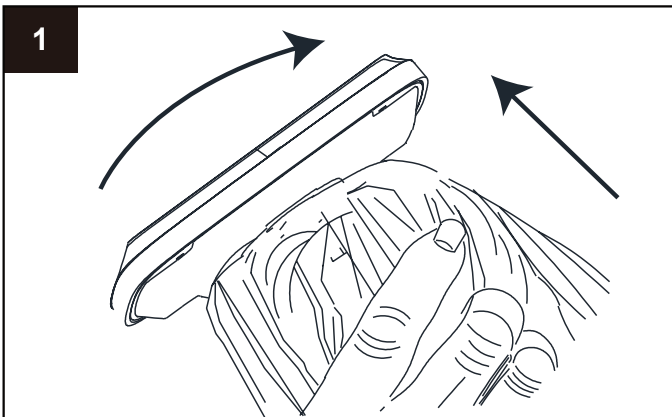
Battery Replacement

We recommend that you change the batteries in your solar light umbrella every year or when you feel the light output is diminished. Use only three (3) AA size Ni-MH 1600mAh rechargeable batteries from any major retailer.

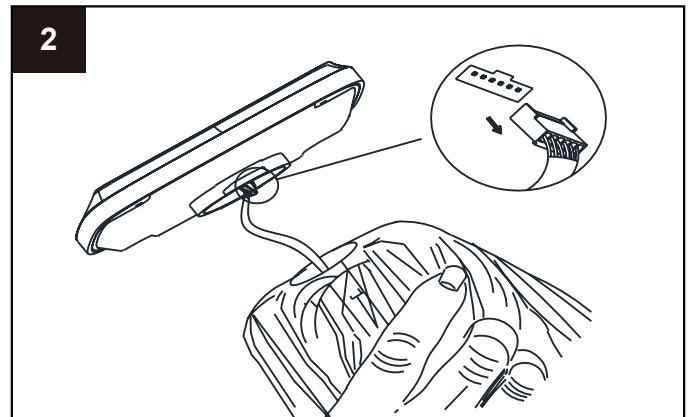
- Install only new batteries of the same type in your product.
- Failure to insert batteries in the correct polarity, as indicated in the battery compartment, may shorten the life of the batteries or cause batteries to leak.

- Do not mix old and new batteries.
- Do not mix Alkaline, Nickel Cadmium or Lithium rechargeable batteries.
- Do not dispose of batteries in fire.
- Batteries should be recycled or disposed of as per state, provincial and local guidelines.

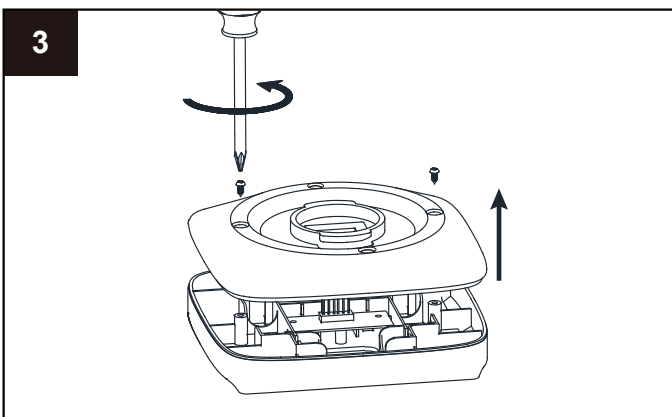
Tools required: Phillips head screw driver (not included)



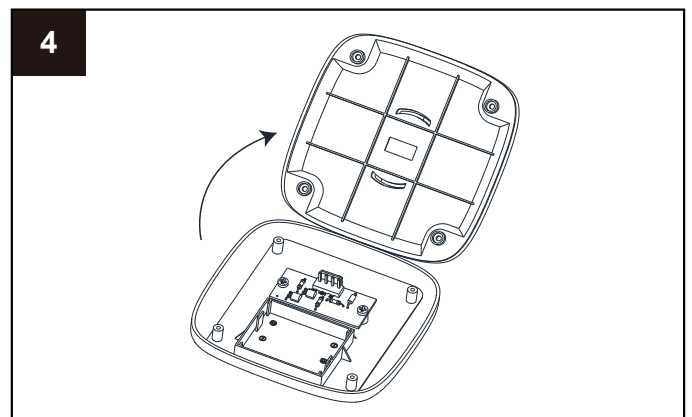
Step 1: Twist counterclockwise and remove the solar panel from the top of the umbrella.



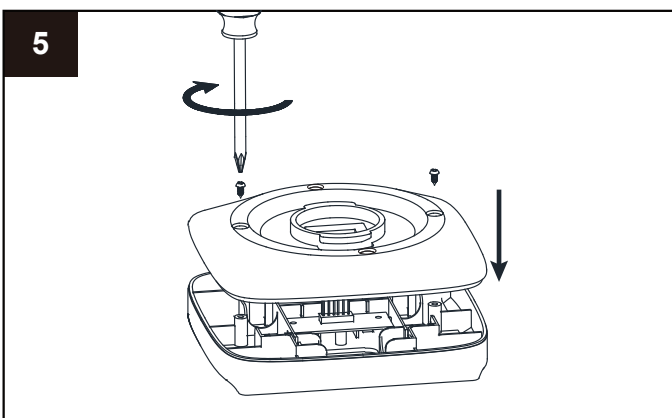
Step 2: Pull the plug out of the socket under the solar panel. Pull by holding the plug, not by pulling on the wires.



Step 3: Place the solar panel upside down on a flat, non-abrasive surface to avoid scratching. Remove four (4) screws on the bottom case.



Step 4: Carefully open the bottom case and set aside. Replace the battery, matching the +/- on the battery with the +/- on the battery case.



Step 5: Carefully replace the bottom case. Align the screw holes and replace the screws. Do not over tighten the screws.