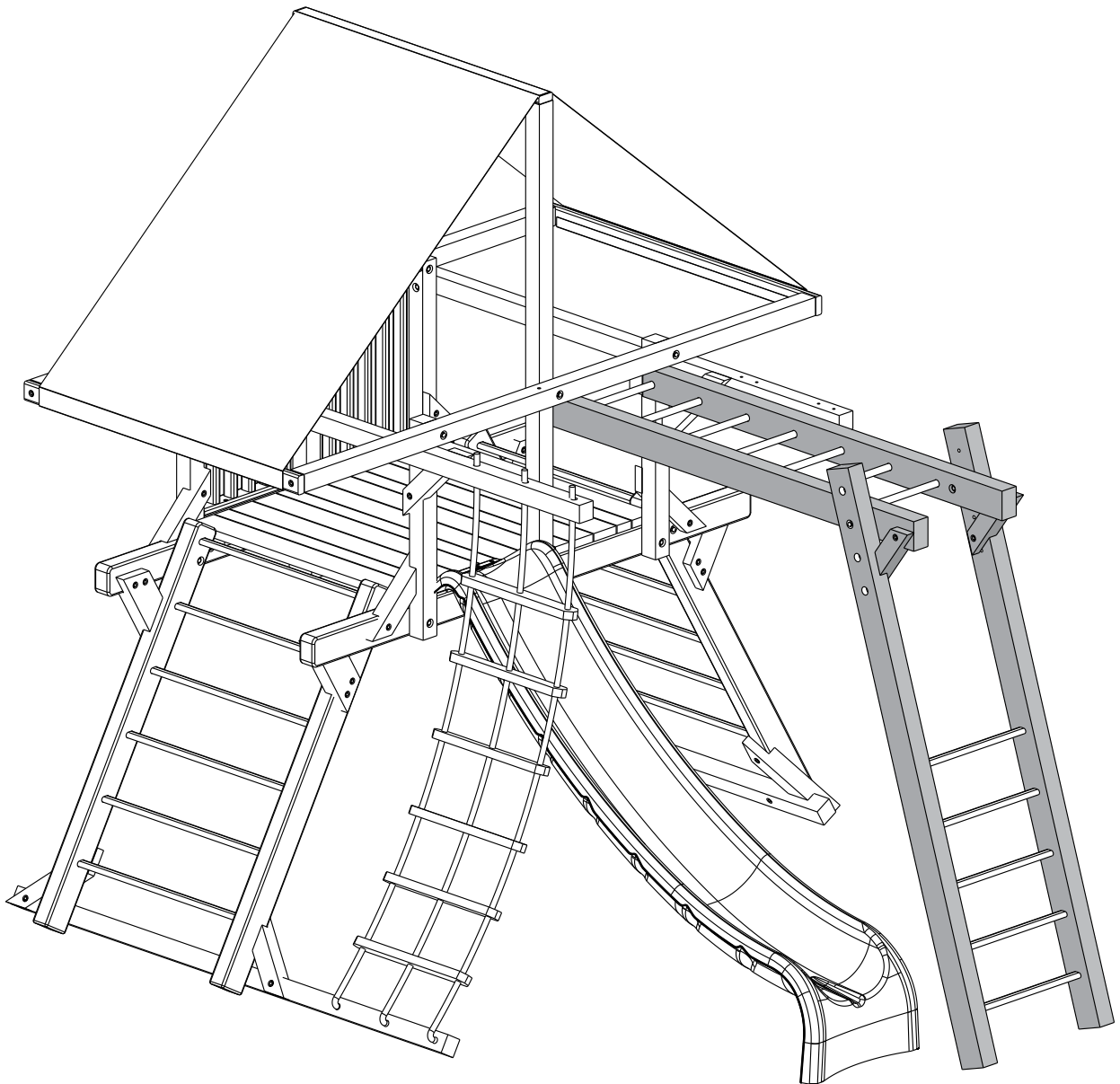




**MONKEY
CLIMBER**

Assembly Instructions



Every day is a great day in Woodplay.™

2101 HARROD STREET • RALEIGH, NC 27604 • 800/982-1822 • 919/875-4499 • FAX 919/875-4264

PA-MAN-OC-01

I N T R O D U C T I O N

Welcome to our family of ready-to-build backyard play equipment. WOODPLAY playsets are designed with ease of assembly in mind and we provide these step-by-step installation instructions.

After reading the information below, locate your structure site and carefully unpack parts. As you unpack your playset, notice the part identification tags on each part and become familiar with each part before beginning assembly. Remember that a little extra time spent familiarizing yourself with the parts and instructions before you begin will help you avoid mistakes and save you time later.

Choosing A Location For Your Playset

When selecting your structure site, always keep the child's safety in mind. Here are some recommendations to help you create a safe play area.

A. The playset should be located on level ground. The stationary components such as ladders and slides are **REQUIRED** to be a minimum of six feet from any structure or obstruction such as a fence, garage, house, tree or overhanging branches, electrical wires or clotheslines. Any swinging equipment is also **REQUIRED** to be a minimum distance twice the height of the swing beam away from these obstructions or structures as well. We also recommend that you do not install your playset near a lake, river, swimming pool or other water hazard.

B. The U.S. Consumer Product Safety Commission (CPSC) recommends that you install and maintain a resilient surface under your play equipment. The CPSC's Consumer

Information Sheet for Playground Surfacing Materials is on the last page. A resilient surface, should be installed after the equipment has been completely assembled according to these instructions. The equipment must rest on solid ground. Please note that this product has a maximum fall height of 8'.

Do not install home playground equipment indoors, or over concrete, asphalt, packed earth, grass, carpet or any other hard surface. A fall onto a hard surface can result in serious or fatal injury.

Responsible on-site adult supervision is one of the most important contributions to children's safety that you can make. WOODPLAY strongly recommends on-site adult supervision of children of all ages. Safe swinging and climbing skills need to be taught to children, just like any other physical activity.

Maintaining Your Playset

Here are some maintenance tips required to insure safe enjoyment of your equipment for years to come.

A. At the beginning of each usage season and every two weeks during, check: nuts and bolts and tighten as needed, swing seats, chains, ladders, slides, rope and wood components for signs of deterioration and replace if necessary.

B. On a yearly basis, we recommend that you coat your playset with a sealant or preservative. You may also want to spot sand any areas prior to sealing. Be sure that the sealant you select is non-toxic and child safe. Your local WOODPLAY dealer may offer a complete sealant and maintenance program.

C. Do not use line trimmers or "weed eaters" around your play equipment. The line will remove both paint and wood from uprights and base pieces. Any damage resulting from this type of abuse is not covered under our limited warranty.

D. Remove plastic swing seats and take indoors or do not use when the temperature drops below 0° F.

E. When the time comes to disassemble and dispose of the play equipment, do so in such a way that no hazards will exist at the time the equipment is discarded.

If you have any questions about your playset, or are in need of replacement parts, contact your local WOODPLAY Representative. Please keep these instructions for future reference.

S A F E T Y I N S T R U C T I O N S

Adults Must:

- Limit climbing and swinging heights to each child's ability.
- Verify that suspended climbing ropes are secured at both ends.
- Verify that suspended climbing ropes cannot be looped back on themselves.
- Dress children appropriately for play. Use well-fitting Shoes that do not have slippery soles.
- Avoid ponchos, scarves, hoods, loose-fitting clothing, neckties, and any clothing with a drawstring. Serious injury could result should any part of the children's clothing become entangled in the equipment.
- Do not allow children to play wearing helmets.
- Remember that children are inventive. When they develop games that are unsafe, be alert and change the rules.
- Note the weight limit for any single user on WOODPLAY equipment is 200 pounds. Limit the number of users to one on each swing. The tower portion of the play system will accommodate four to six additional users with a max combined weight of 1100 pounds for entire playset.
- This product is intended for use by children from ages 3 to 12 years of age

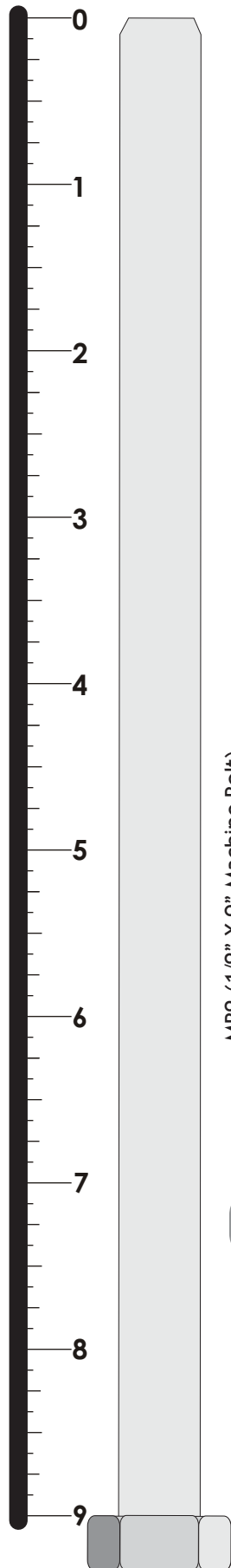
Teach Children:

- Not to walk close to, in front of, behind, or between moving items.
- Not to twist the swing ropes, or loop them over the top support bar, since this may reduce the strength of the rope.
- Not to swing empty swing seats.
- Not to swing sideways into the path of adjacent swings.
- Not to use the equipment in a manner other than that for which it is intended.
- Not to get off the equipment while it is in motion.
- Not to jump off the tower.
- Not to climb or swing when they are wet or when the equipment is wet.
- To sit in the center of the swings with their full weight on the seats.
- To hold on to swings and climbers with both hands.
- Not to stand in the swing seats.
- Not to ride or leave bicycles or other toys in the swing area.
- Not to use hammers, saws, nails, or wrenches on the equipment.
- Not to swing so high that chains become slack, or above the height of the swing support.
- Not to jump on a slide.
- Not to climb on top of the swing support.
- Not to attach to the playground equipment any item that is not specifically designed for use with the equipment, such as (but not limited to) jump ropes, clotheslines, pet leashes, cables, and chains. These may become strangulation hazards.
- To slide feet first, never head first.
- To watch for other children while swinging or playing near the equipment.

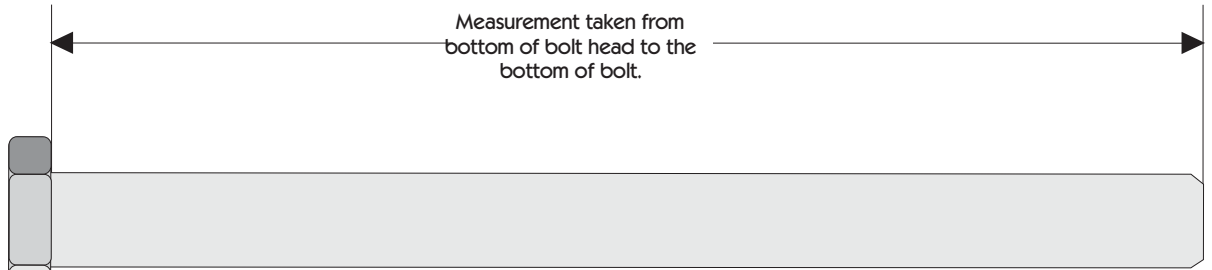
HARDWARE IDENTIFICATION

NOTE TO INSTALLER

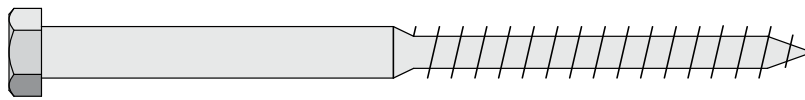
You must assemble this product in accordance with these Assembly Instructions. After assembly is complete, please give this Owner's Manual to the owner of the play system.



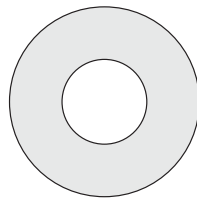
MB2 (1/2" X 9" Machine Bolt)



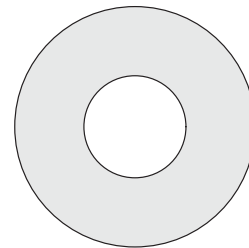
MB1 (1/2" X 6" Machine Bolt)
4 Pcs.



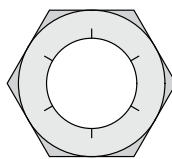
LS4 (3/8" X 4" Lag Screw)
4 Pcs.



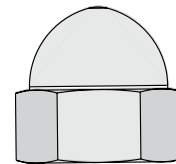
FW2 (3/8" Flat Washer)
4 pcs.



FW3 (1/2" Flat Washer)
18 Pcs.



SN2 (1/2" Lock Nut)
(2)



SN3 (1/2" Acorn Nut)
4 Pc.

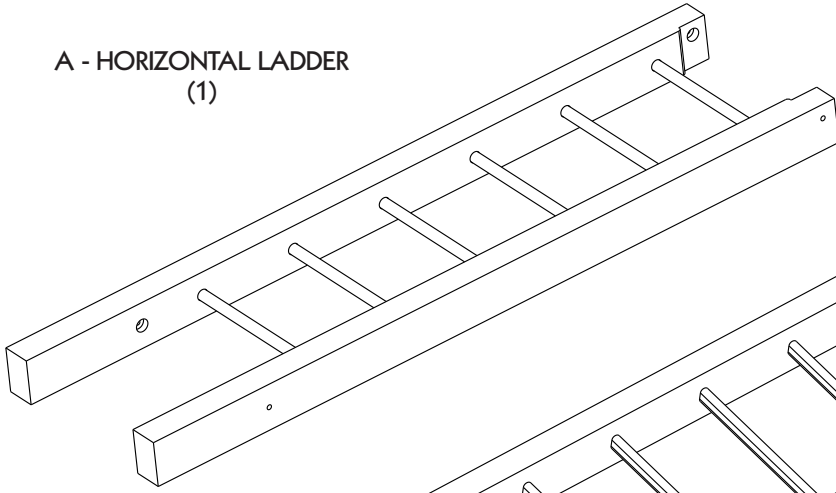
TOOLS NEEDED

1/2" Drive Ratchet
9/16" Socket
3/4" Socket

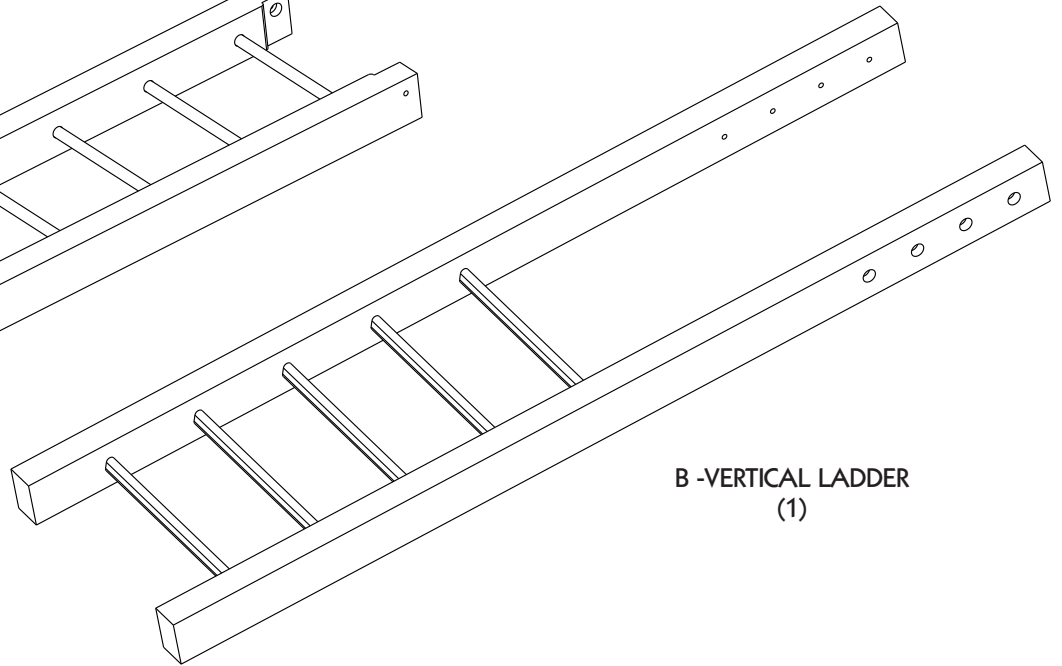
Drill & 3/8" Bit
A Friend or Neighbor

STANDARD PARTS LIST

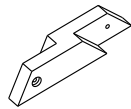
A - HORIZONTAL LADDER
(1)



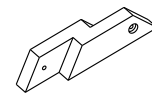
B - VERTICAL LADDER
(1)



LADDER TABLE	
5' Deck	
RW-LAD-092-OCH	92 1/4" OC HORIZONTAL LADDER
RW-LAD-102-OCV	102" OC VERTICAL LADDER
6' Deck	
RW-LAD-092-OCH	92 1/4" OC HORIZONTAL LADDER
RW-LAD-114-OCV	114" OC VERTICAL LADDER
7' Deck	
RW-LAD-118-OCH	118" OC HORIZONTAL LADDER
RW-LAD-102-OCV	102" OC VERTICAL LADDER



C - ANGLE BRACE LEFT
(1)



D - ANGLE BRACE RIGHT
(1)

STEP 1: ATTACH 36 DEGREE BRACES

1

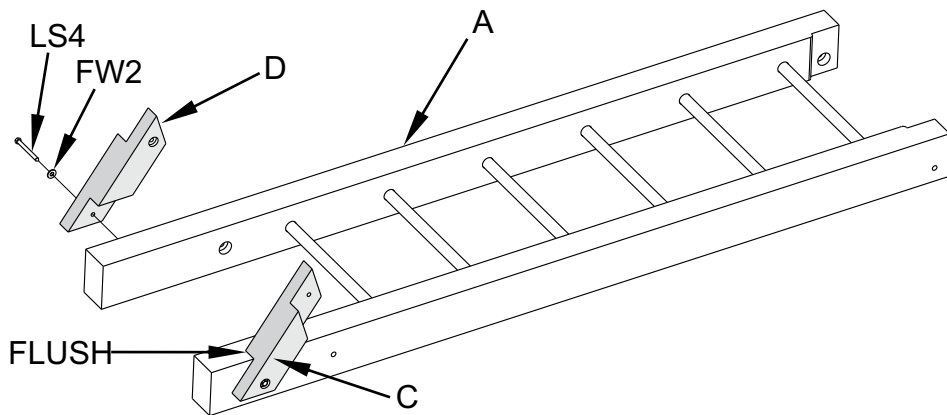
PARTS NEEDED:

- (1) A (90" Horizontal Ladder)
- (1) C (Angle Brace Left)
- (1) D (Angle Brace Right)

HARDWARE NEEDED:

- (2) LS4 (3/8" X 4" Lag Screw)
- (2) FW2 (3/8" Flat Washer)

While on a flat surface lay the 90" Horizontal Ladder part **A** as shown below. Attach Angle Brace Left **C** and Right **D** using Lag Screws **LS4** and 3/8" Flat Washers **FW2** making sure that braces are **FLUSH** to Part **A** as shown.



STEP 2: ATTACH VERTICAL LADDER

2

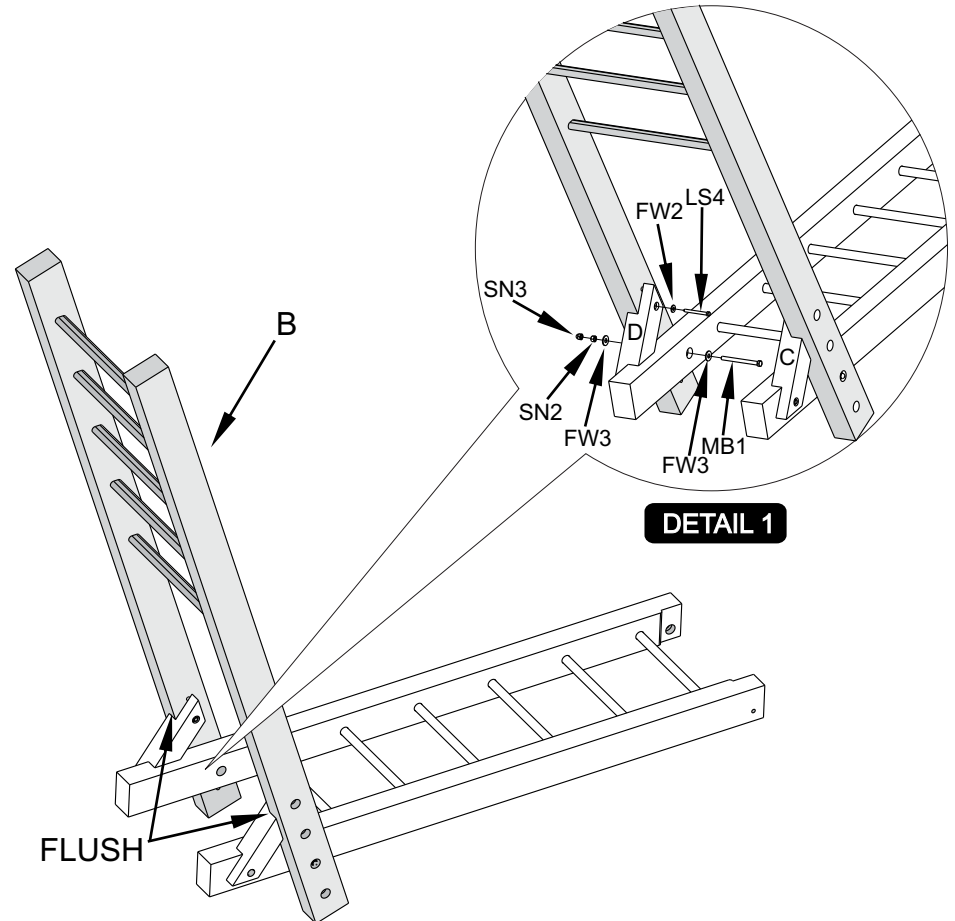
PARTS NEEDED:

- (1) B (108" Vertical Ladder)

HARDWARE NEEDED:

- (2) LS4 (3/8" X 4" Lag Screw)
- (2) FW2 (3/8" Flat Washer)
- (2) MB1 (1/2" X 6" Machine Bolt)
- (4) FW3 (1/2" Flat Washer)
- (2) SN2 (1/2" Lock Nut)
- (2) SN3 (1/2" Acorn Nut)

Place 108" Vertical ladder **B** and fasten it to the Horizontal ladder **A** with bolts **MB1**, washers **FW3**, Locknuts **SN2** and Acorn nuts **SN3** as shown in **detail 1**. Attach Angle Braces **C** and **D** to Vertical ladder **B** using Lag screws **LS4** and Washers **FW2** making sure that braces are **FLUSH** to Part **B** as shown.



STEP 3: ATTACH STEP 2 ASSEMBLY TO PLAYSET

3

PARTS NEEDED:

(1) Step 2 Assembly

HARDWARE NEEDED:

(1) MB1 (1/2" X 6" Machine Bolt) * Additional 6" bolt required if 9" bolt not needed
(1) MB2 (1/2" X 9" Machine Bolt) * Only for existing bolt replacement
(4) FW3 (1/2" Flat Washer)
(2) SN2 (1/2" Lock Nut)
(2) SN3 (1/2" Acorn Nut)

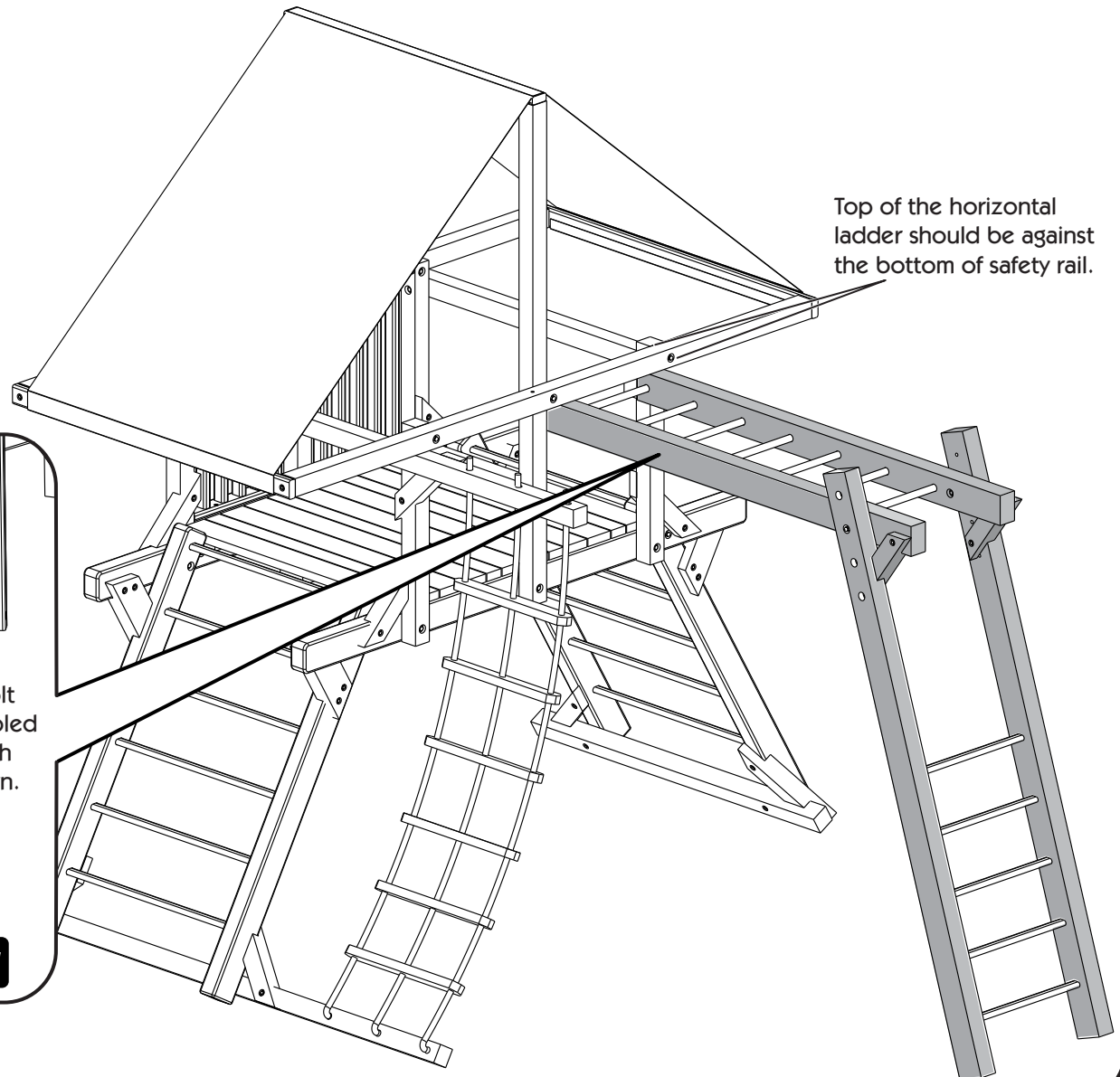
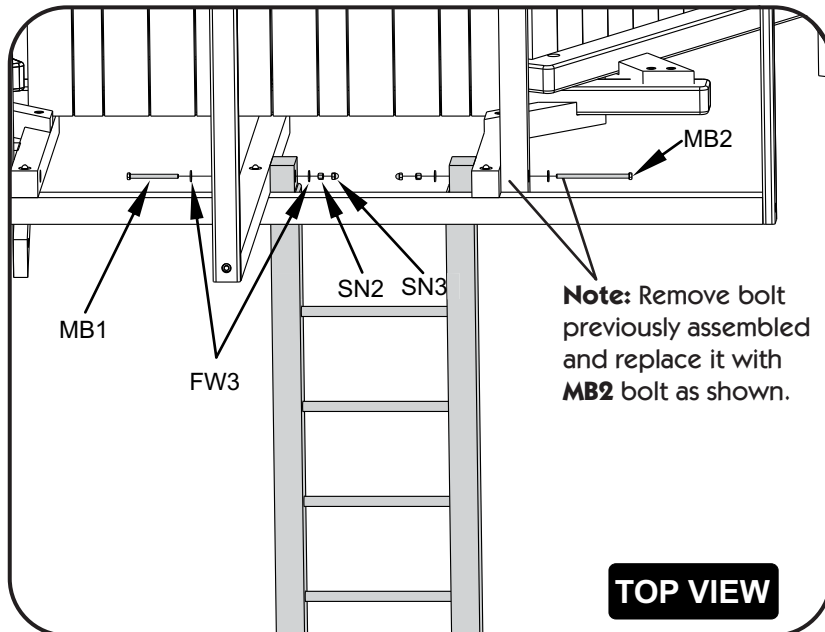
IF INSTALLING ON 5' OR 6' DECK HEIGHT CONTINUE ON WITH THIS STEP.



IF INSTALLING ON 7' DECK GO TO STEPS 3a AND 3b.

NOTE: If hole lines up with existing hardware replace with bolt with 9" bolt, if not drill hole and countersink as required.

With the help of another person, attach the Monkey Climber to your playset using **MB1** Bolt, **MB2** bolt, four **FW3** Washers, two **SN2** Nuts and two **SN3** Acorn Nuts.



STEP 3a: ATTACH STEP 2 ASSEMBLY TO PLAY SET 7' DECK HEIGHT (NO SKYBOX)

3a

PARTS NEEDED:

- (1) Step 2 Assembly
- (1) Side Panel

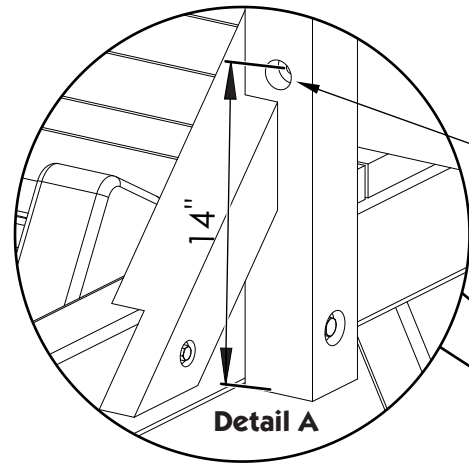
HARDWARE NEEDED:

- (1) MB1 (1/2" X 6" Machine Bolt)
- (4) FW3 (1/2" Flat Washer)
- (2) SN2 (1/2" Lock Nut)
- (2) SN3 (1/2" Acorn Nut)
- (2) (1/4" X 4 1/2" Lag Screw)
- (4) (1/4" Flat Washer)
- (2) (1/4" X 2 1/2" Lag Screw)

If you are installing a **Monkey Climber without a Skybox** continue with this step.

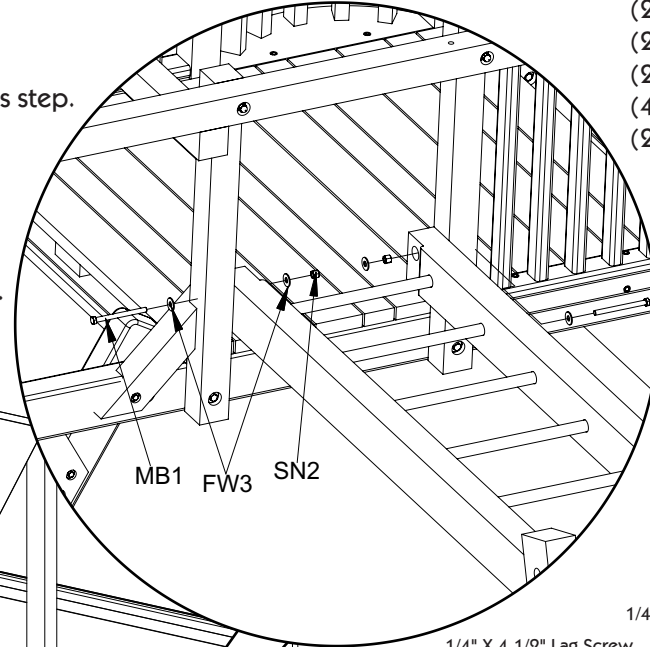


If you are installing a **Monkey Climber with a Skybox** continue to **Step 3B**.



Detail A

$\varnothing \frac{9}{16}$ " THRU ALL
Counterbore $\square 1\frac{1}{2}$ " X $\frac{5}{8}$ "



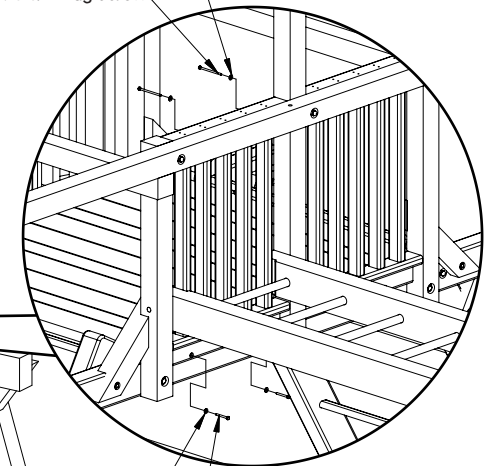
MB1 FW3 SN2

Attach Side panel to cover the space where Monkey Climber is attached as shown.

Remove any Side Panels as needed. Drill holes and counterbores as shown in **detail A**.

With the help of another person, attach the Monkey Climber to your playset using **MB1** Bolt, four **FW3** Washers, two **SN2** Nuts.

1/4" Flat Washer
1/4" X 4 1/2" Lag Screw



1/4" Flat Washer
1/4" X 2 1/2" Lag Screw

STEP 3b: ATTACH STEP 2 ASSEMBLY TO PLAY SET 7' DECK HEIGHT (with SKYBOX)

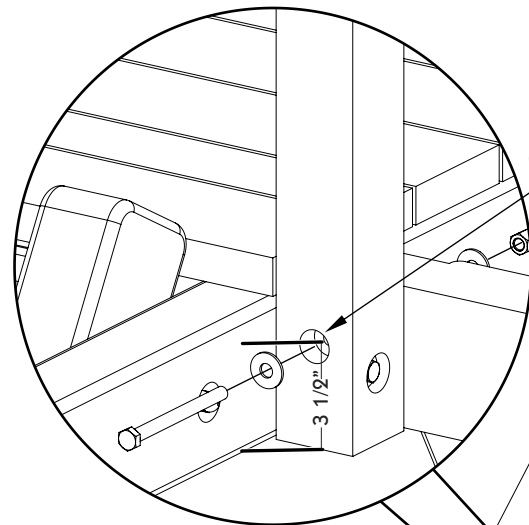
3b

PARTS NEEDED:

(1) Step 2 Assembly

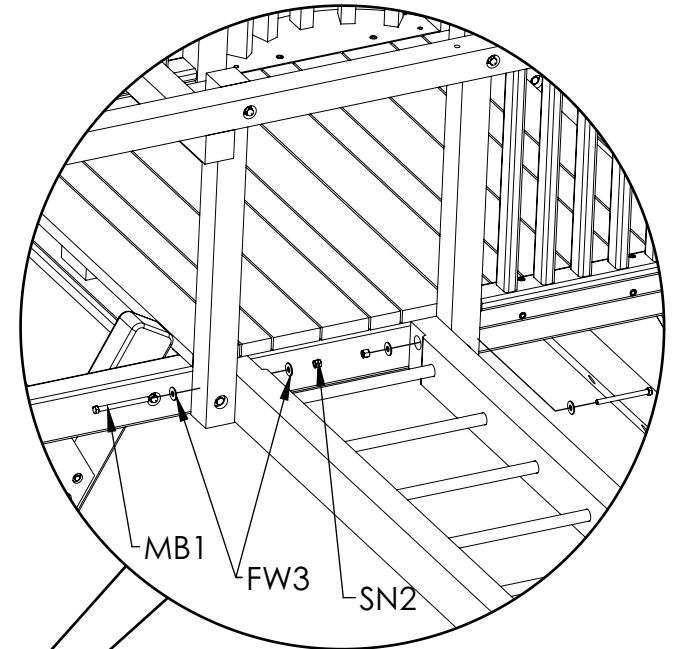
HARDWARE NEEDED:

- (1) MB1 (1/2" X 6" Machine Bolt)
- (4) FW3 (1/2" Flat Washer)
- (2) SN2 (1/2" Lock Nut)
- (2) SN3 (1/2" Acorn Nut)



Detail B

$\varnothing \frac{9}{16}$ " THRU ALL
Counterbore $\square 1 \frac{1}{2}$ " X $\frac{5}{8}$ " ∇



MB1

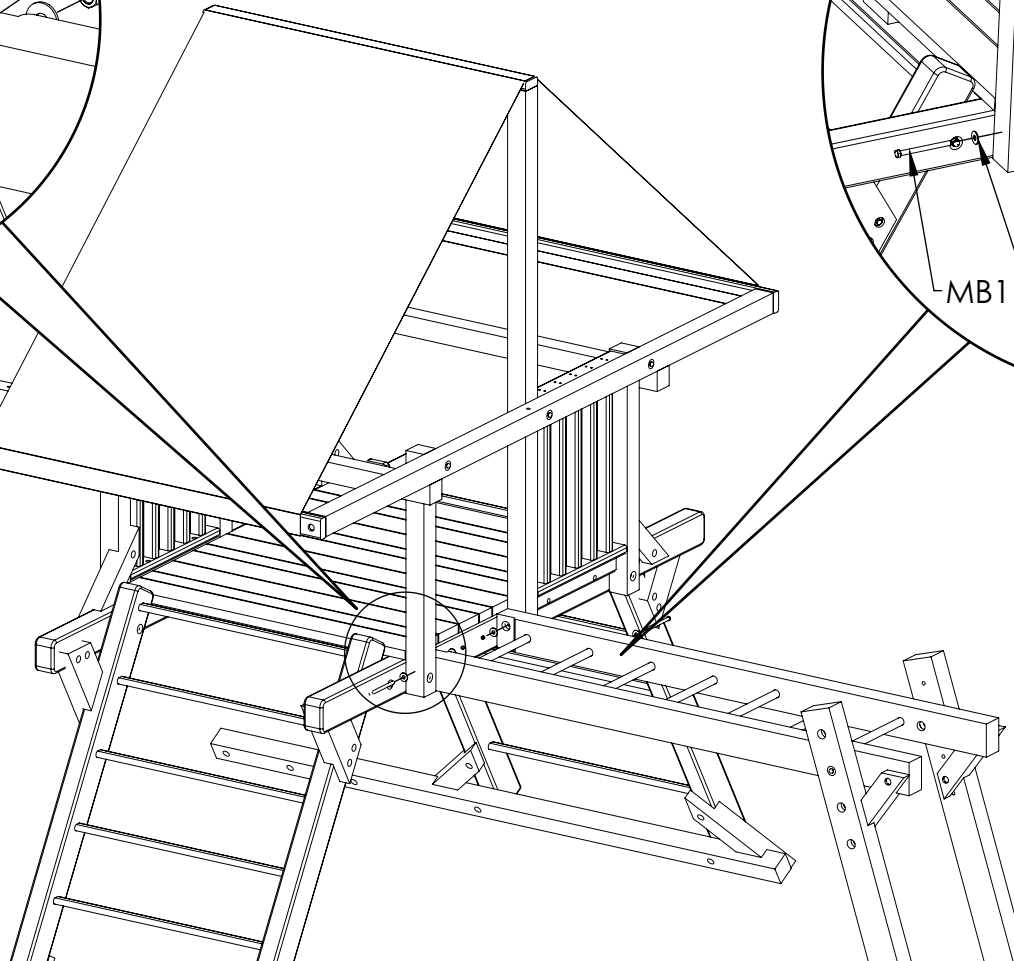
FW3

SN2

If you are installing a **Monkey Climber with a Skybox** continue to with this step.

Remove any Side Panels as needed. Drill holes and counterbores as shown in **detail B**.

With the help of another person, attach the Monkey Climber to your playset using **MB1 Bolt**, four **FW3 Washers**, two **SN2 Nuts**. Once this step is complete continue with **Skybox instructions included in your box**.



Consumer Information Sheet for Playground Surfacing Materials¹

The U.S. Consumer Product Safety Commission (CPSC) estimates that about 100,000 playground equipment-related injuries resulting from falls to the ground surface are treated annually in the U.S. hospital emergency rooms. Injuries involving this hazard pattern tend to be among the most serious of all playground injuries, and have the potential to be fatal, particularly when the injury is to the head.

The surface under and around playground equipment can be a major factor in determining the injury-causing potential of a fall. It is self evident that a fall onto a shock absorbing surface is less likely to cause a serious injury than a fall onto a hard surface. Playground equipment should never be placed on hard surfaces such as concrete or asphalt and while grass may appear to be acceptable it may quickly turn to hard packed earth in areas of high traffic. Shredded bark mulch, wood chips, fine sand or fine gravel are considered to be acceptable shock absorbing surfaces when installed and maintained at a sufficient depth under and around playground equipment.

The following table lists the maximum height from which a child would not be expected to sustain a life-threatening head injury in a fall onto four different loose-fill surfacing materials if they are installed and

maintained at depths of 6", 9", and 12". However, it should be recognized that all injuries due to falls cannot be prevented no matter what surfacing material is used.

It is recommended that a shock absorbing material should extend a minimum of 6' in all directions from the perimeter of stationary equipment such as climbers and slides. However, because children may deliberately jump from a moving swing, the shock absorbing material should extend in the front and rear of a swing a minimum distance of 2 times the height of the pivot point measured from a point directly beneath the pivot point supporting structure.

This information is intended to assist in comparing the relative shock-absorbing properties of various materials. No particular material is recommended over another. However, each material is only effective when properly maintained. Materials should be checked periodically and replenished to maintain correct depth as determined necessary for your equipment. The choice of a material depends on the type and height of the playground equipment, the availability of the material in your area, and its cost.

FALL HEIGHT IN FEET FROM WHICH A LIFE THREATENING HEAD INJURY WOULD NOT BE EXPECTED

TYPE OF MATERIAL	6" DEPTH	9" DEPTH	12" DEPTH
Double Shredded Bark Mulch	6'	10'	11'
Wood Chips	6'	7'	12'
Fine Sand	5'	5'	9'
Fine Gravel	6'	7'	10'

¹This information has been extracted from the CPSC publications "Playground Surfacing—Technical Information Guide" and "Handbook for Public Playground Safety." Copies of these reports can be obtained by sending a postcard to the Office of Public Affairs, U.S. Consumer Product Safety Commission, Washington, D.C. 20207. Or call the toll-free hotline: 1-800-638-2772.



No Kidding Guarantee

5-Year Warranty on all Woodplay components and accessories that are not covered under the Limited Lifetime Warranty. Woodplay will repair or replace, at our option, any Woodplay above-ground playset component which fails within five years after the date of delivery as a result of a defect in materials or workmanship. All other qualifications also apply listed under the Limited Lifetime Warranty below.

Limited Lifetime Warranty on all Woodplay wooden playset components, swing hangers, swing chains, metal braces, metal rungs, hardware, and our exclusive Super Slide and Alpine Slide. Woodplay warrants to the original retail customer that we will replace any Woodplay wooden playset component suffering structural failure due to warping, rotting, or insect damage. This warranty does not cover knots in the wood, surface cracking or seasonal checking of components. Knots, surface cracking and seasonal checks are a natural characteristic of all wood, including redwood, and will not affect the integrity of your playset. Woodplay warrants to the original retail customer that we will replace any swing hangers, swing chains, metal braces, metal rungs or hardware that fail due to rust or breakage (excludes surface rust). This limited lifetime warranty also applies to our exclusive Super Slide and Alpine Slide. This warranty is expressly in lieu of all other warranties, expressed or implied, including warranties of merchantability or fitness for use. Woodplay does not assume, or authorize any person or representative to assume for us, any other liability in connection with the sale of our products. These warranties exclude any incidental or consequential damages which may arise from the purchase or use of our equipment. Some states do not allow the exclusion or limitation of consequential damage, so the above limitation or exclusion may not apply to you. This warranty program applies only to the original owner and is limited to residential and noncommercial use of the products. Customer must register the playset purchase at www.woodplay.com to be eligible for warranty. A copy of the original invoice must accompany all warranty claims. Freight and labor charges are not included. This warranty program does not cover normal wear and tear, or damages resulting from misuse, abuse, vandalism, alteration, acts of God, or assembly and maintenance contrary to our instructions. Woodplay reserves the right to examine photographs and/or the component itself-shipped freight prepaid by the customer prior to potential replacement. Questions about this warranty should be addressed to the **Customer Service Department at 817 Maxwell Ave., Evansville, IN 47711, or call 1-800-WOODPLAY.**

Special Note: Woodplay reserves the right to make changes in materials, design, and pricing without notice. See your instruction manual for maintenance requirements. Your child's safety is your responsibility; therefore, you should inspect this equipment regularly for wear and safety.