



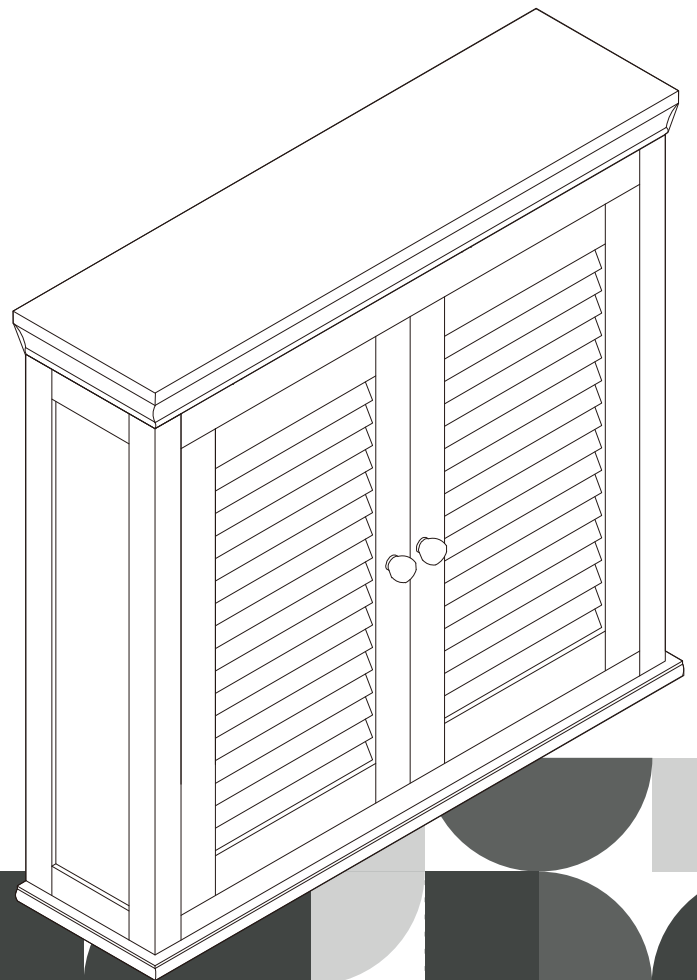
Extended Warranty
Sign Up

E-1

Welcome home!

ELG-583/593

**TEAMSON HOME
Wall Cabinet-
2 Shutter Doors**





**Questions? Comments? Need help?
Call or email us any time!**

Global Customer Service

USA

+1(800)935-3959

Mon - Fri 10:00am ~ 2:00pm EST

✉ support@teamson.com

EU/UK

+44(0)1952-916-050

Mon - Thu 9:00am ~ 5:00pm GMT

Friday 9:00am ~ 4:00pm GMT

✉ support@teamson.co.uk

ASIA

深圳办公室:

+86(0755)8885-3558.分机号331

Mon - Sat 9:00am ~ 5:00pm GMT+8

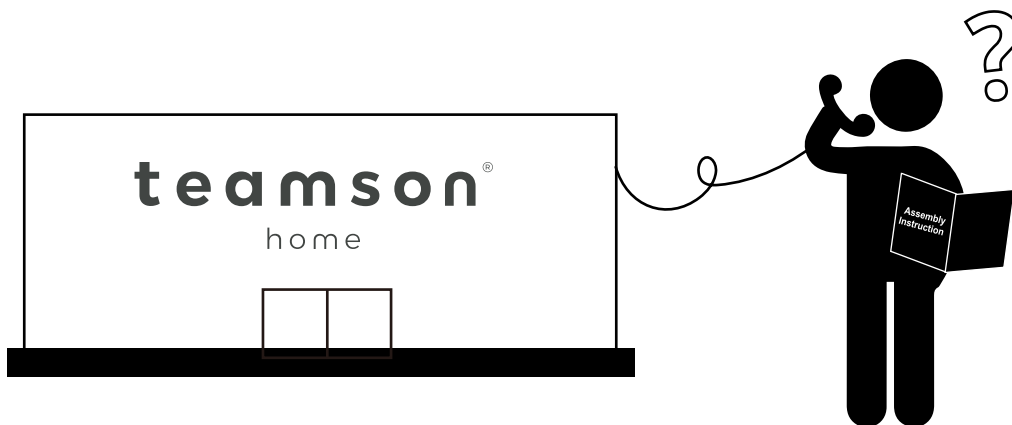
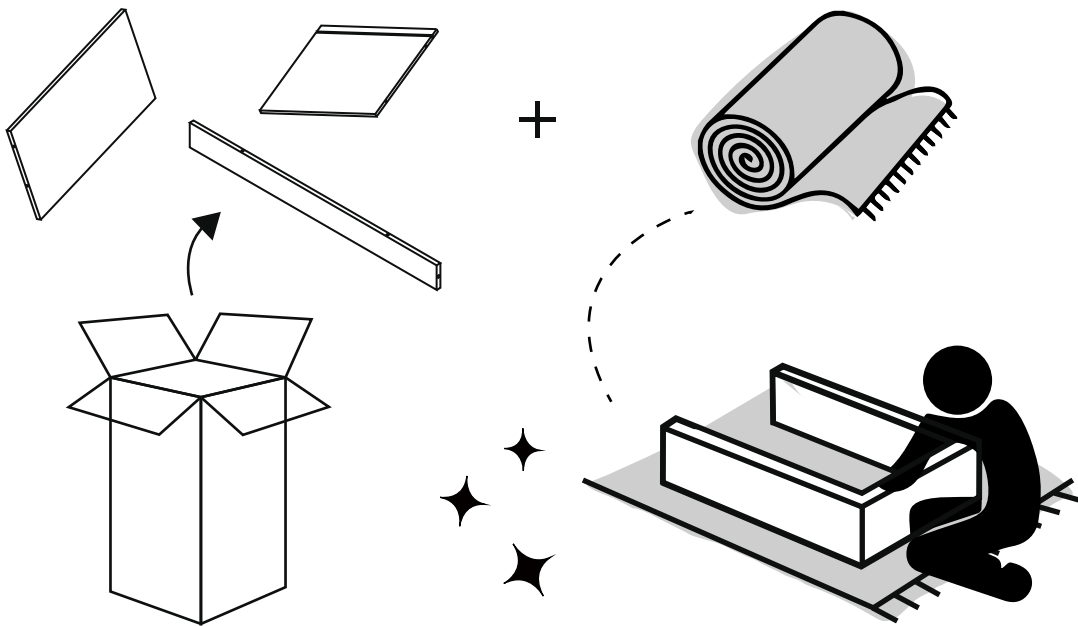
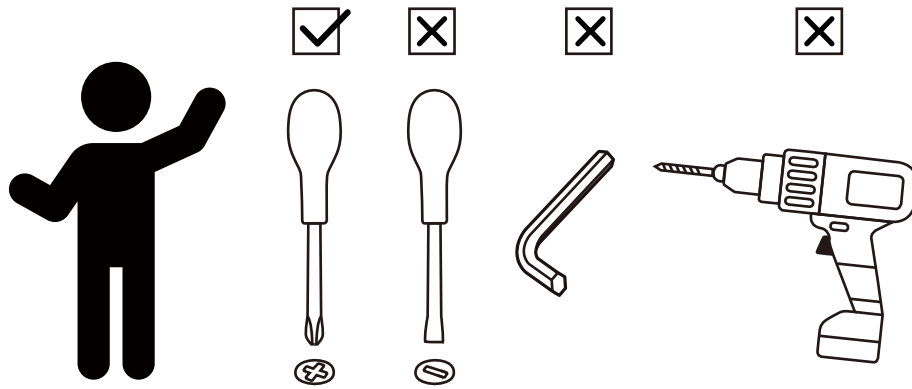
✉ sales_ec@teamson.com

台北办公室:

+886(2)2556-6268

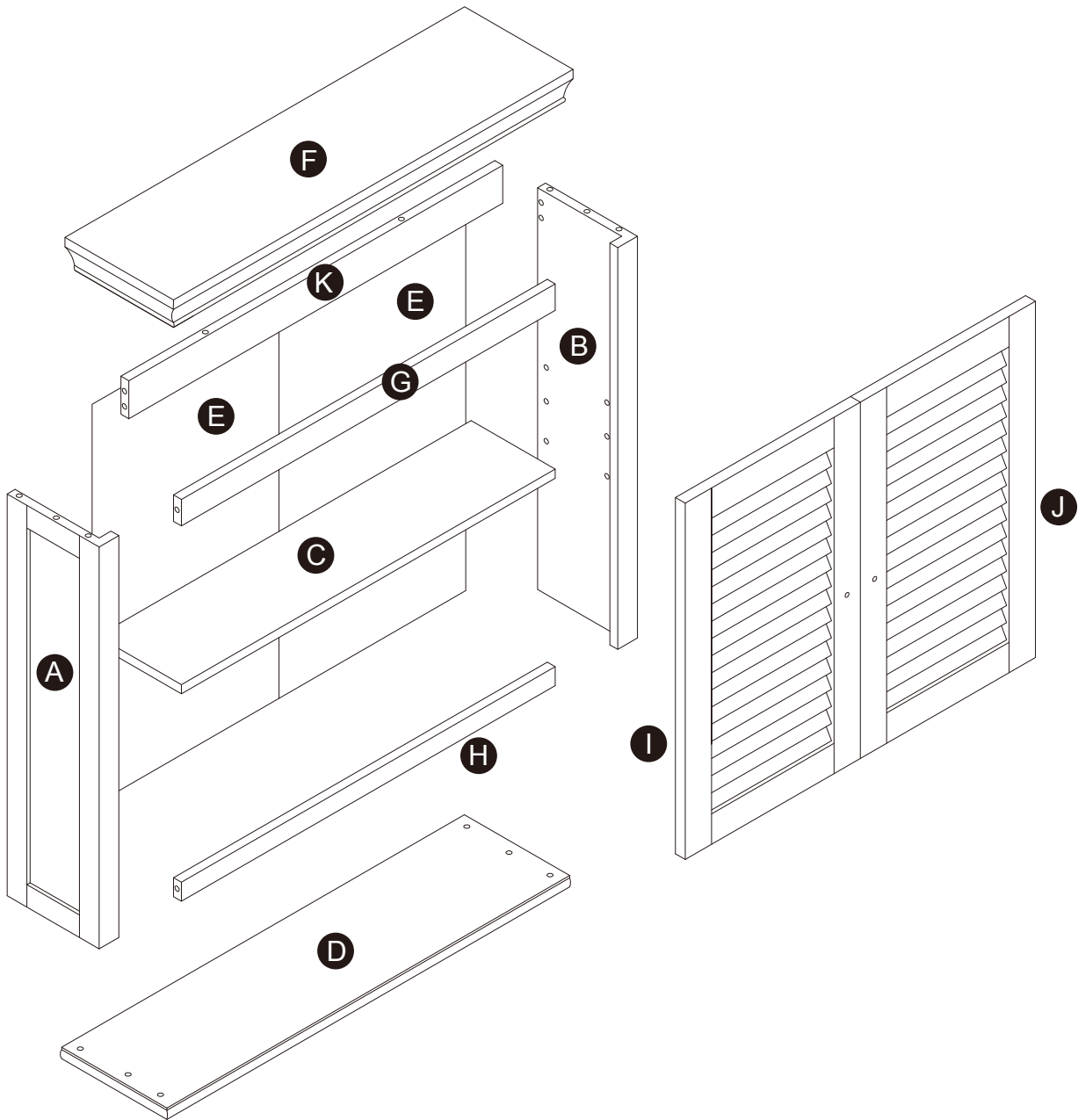
Mon - Fri 9:00am ~ 5:00pm GMT+8

✉ sales_ec@teamson.com



** Got questions? Please have your product code (on the first page of this instruction, e.g. TD-12345A) and the order number ready, give us a call or email us through our customer care support! We are always ready to assist you!

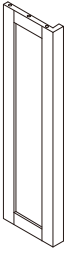
Exploded Drawing



Scan for assembly instructions.

Product Parts

A



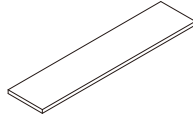
1 PC

B



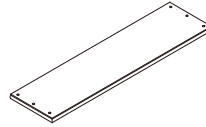
1 PC

C



1 PC

D



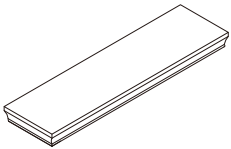
1 PC

E



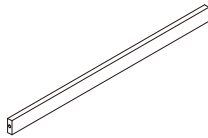
2 PCS

F



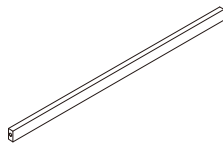
1 PC

G



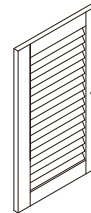
1 PC

H



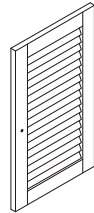
1 PC

I



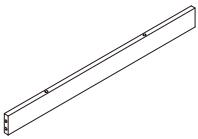
1 PC

J



1 PC

K



1 PC

! Care Instructions

Dust surface with a dry soft cloth. Do not use window cleaners or cleaning abrasives as they will scratch the surface and could damage the protective coating

! WARNING

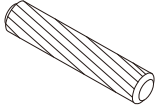
Small parts and sharp edges may be present prior to assembly.



Scan for assembly instructions.

Hardware

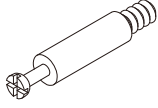
1



Ø8*30mm

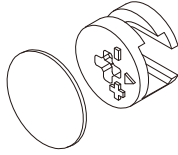
14 PCS

2



8 PCS

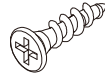
3



Ø15*9

8 PCS

4



Ø3*12mm

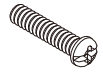
8 PCS

5



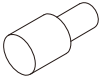
2 PCS

6



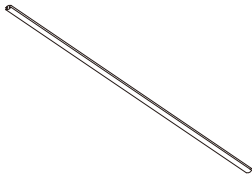
2 PCS

7



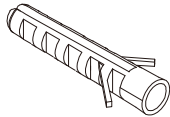
4 PCS

8



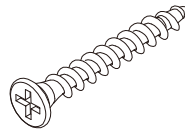
1 PC

9



2 PCS

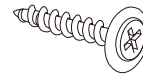
10



Ø4*35mm

2 PCS

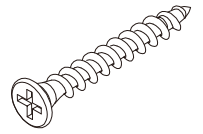
11



Ø3*12 D=7

14 PCS

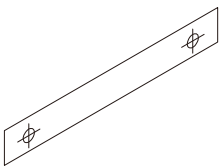
12



Ø4*25mm

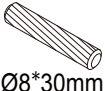
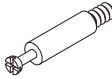

1 PC

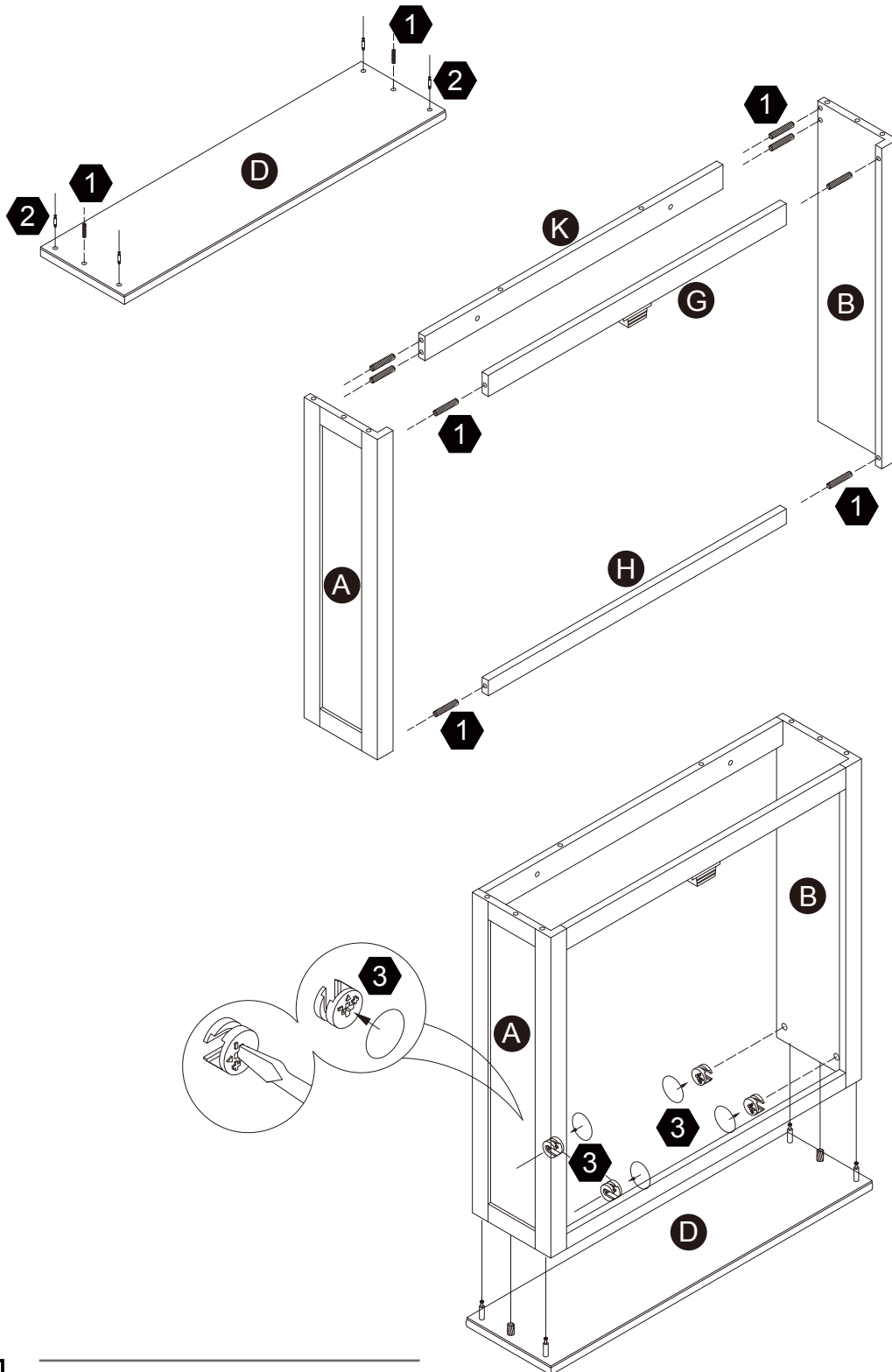
TEMPLATE PAPER



Scan for assembly instructions.

Step 1

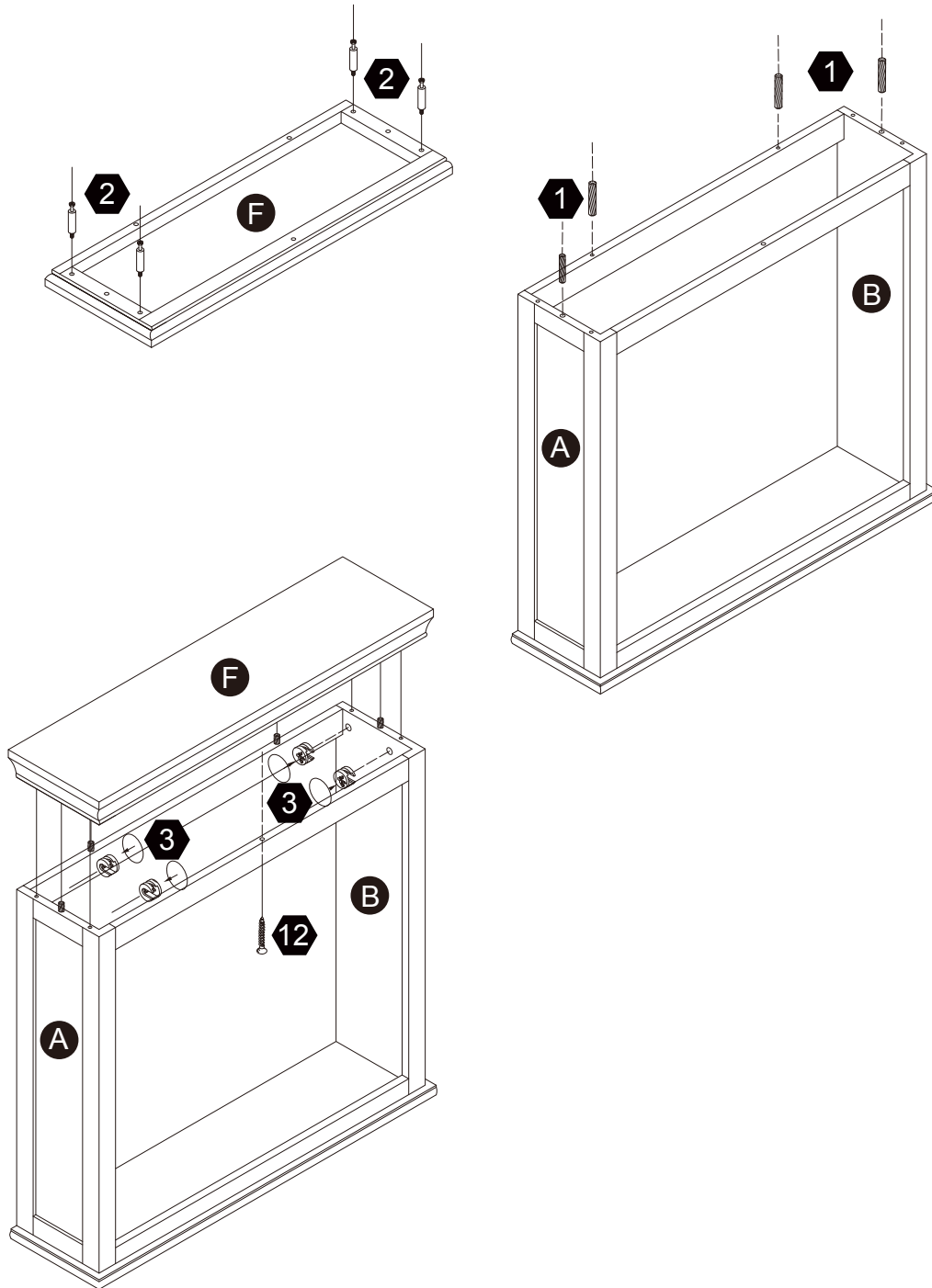
- 1**  10 pcs $\varnothing 8 \times 30 \text{mm}$
- 2**  4 pcs
- 3**  4 pcs $\varnothing 15 \times 9$



Scan for assembly instructions.

Step 2

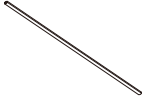
- 1**  4 pcs $\text{Ø}8*30\text{mm}$ **2**  4 pcs **3**  4 pcs $\text{Ø}15*9$ **12**  1 pc $\text{Ø}4*25\text{mm}$



Scan for assembly instructions.

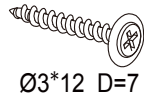
Step 3

8



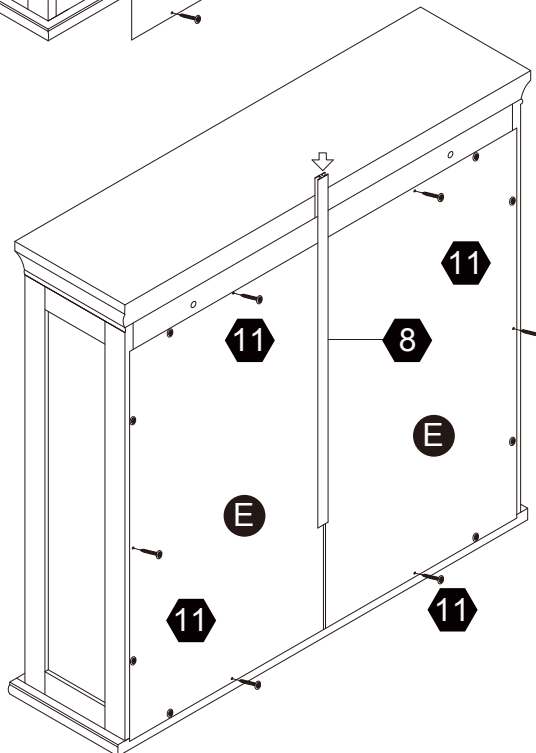
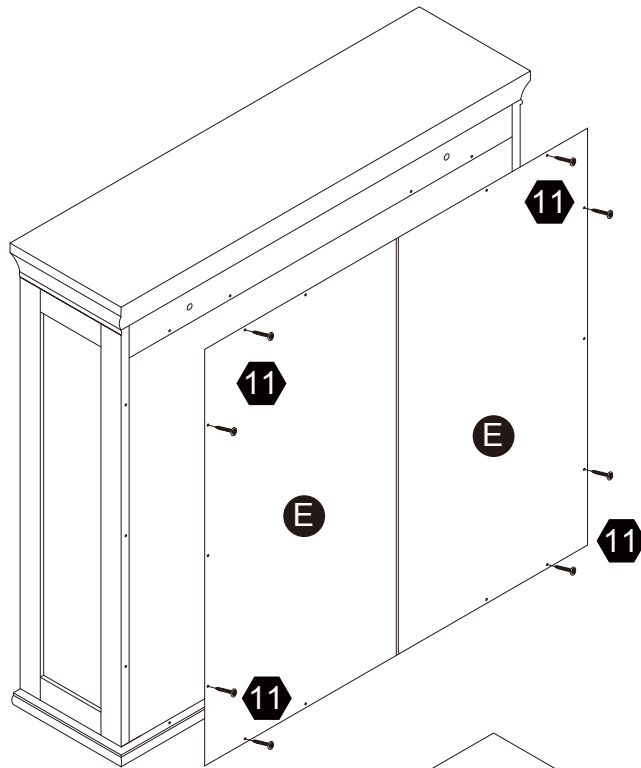
1 pc

11



14 pcs

Ø3*12 D=7



Scan for assembly instructions.

Step 4

4



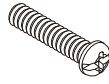
8 pcs

5



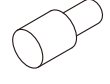
2 pcs

6

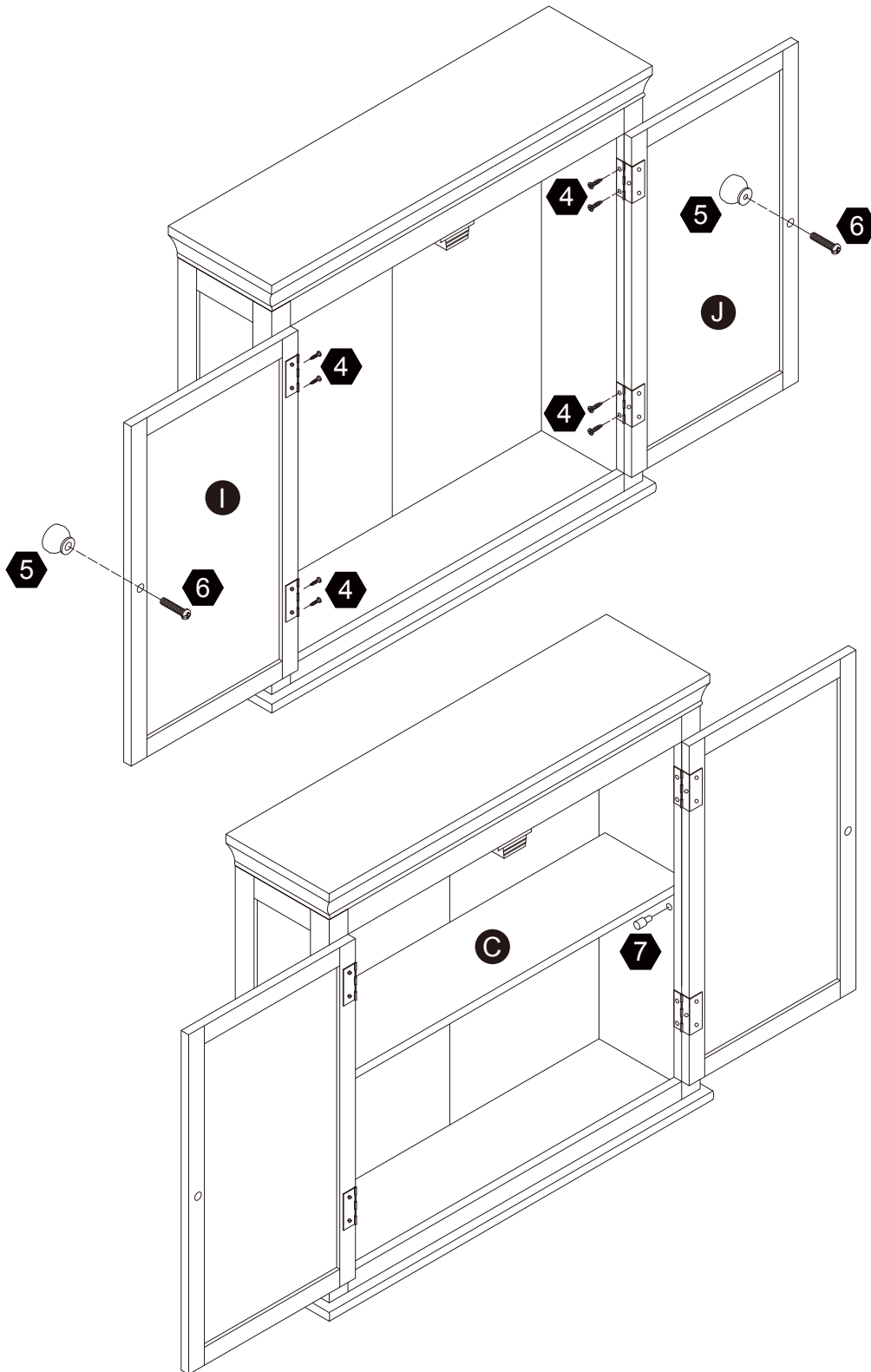


2 pcs

7



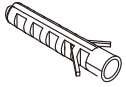
4 pcs



Scan for assembly instructions.

Step 5

9



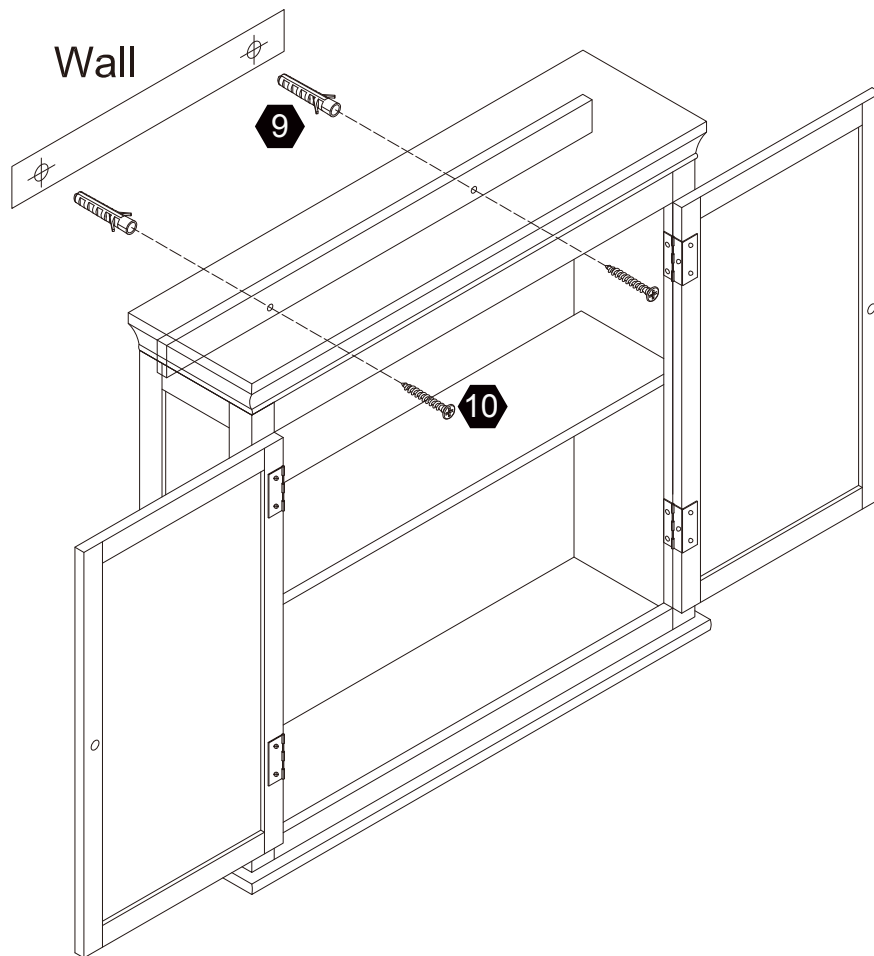
2 pcs

10



2 pcs

Ø4*35mm



Scan for assembly instructions.