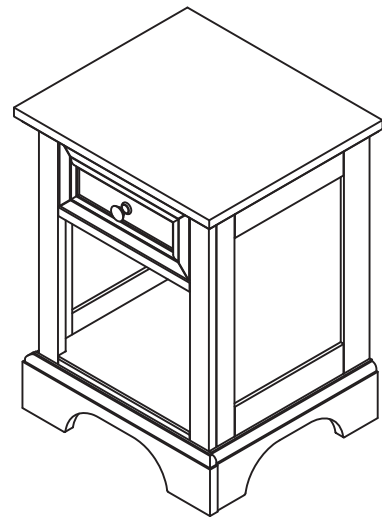


Night Stand



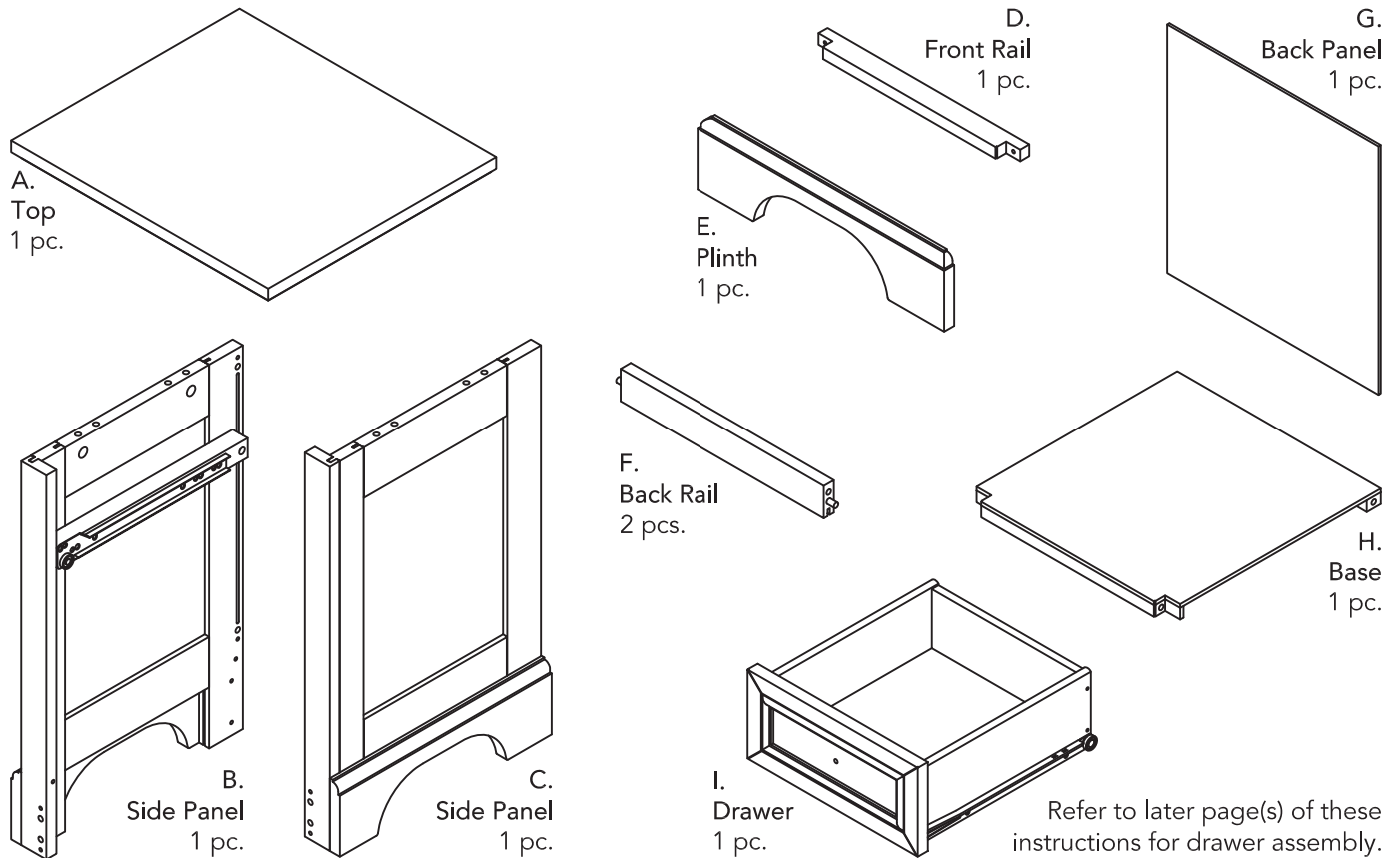
IMPORTANT

Carefully remove all the parts from the carton and place them individually on a soft cloth to prevent scratches or other damage.

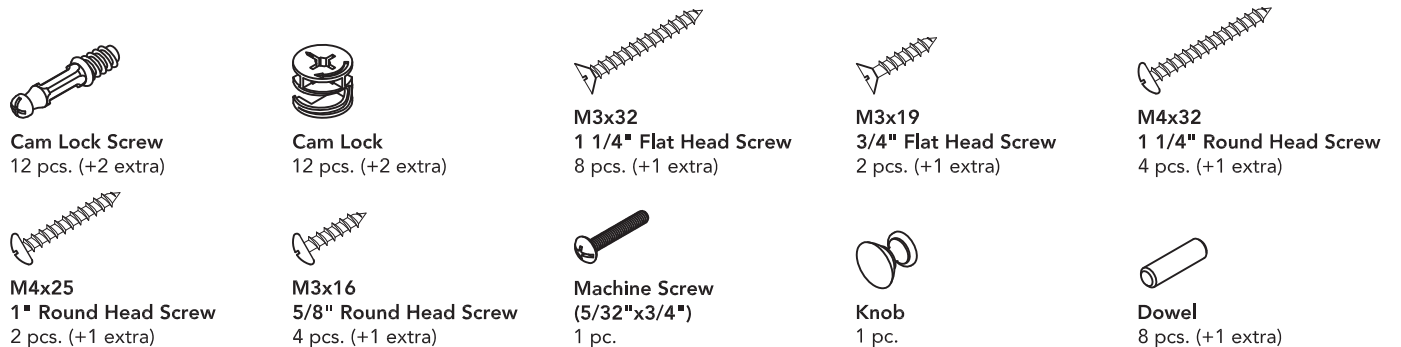
Carefully and strictly follow these assembly instructions to ensure a completed product as designed.

Do not use power tools above 8 volts to assemble.

Part List



Hardware List



Tool(s) required for assembly: Phillips screwdriver

homestyles Customer Service: www.homestylesfurniture.com,
servicedesk@homestylesfurniture.com, 888-680-7460

Assembly Instructions 2/7

IMPORTANT

- Use a soft cloth between these parts and the floor.
- Do not use power tools above 8 volts to assemble.
- Do not tighten all the screws until each part is properly assembled.

STEP 1

Insert Cam Lock Screws into pre-drilled holes in Side Panels (B) and (C), then tighten.

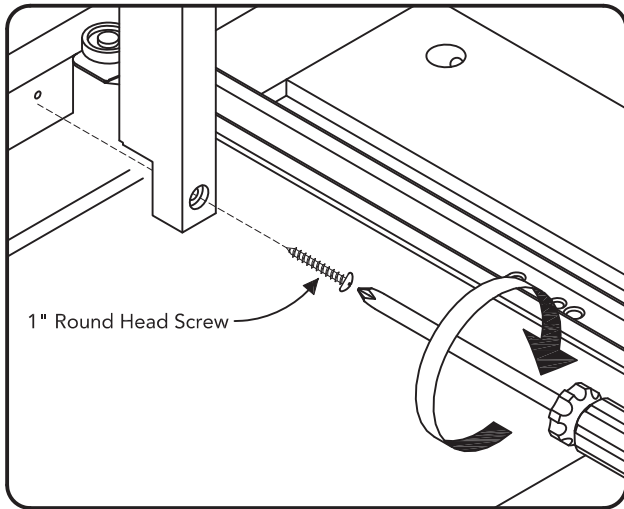
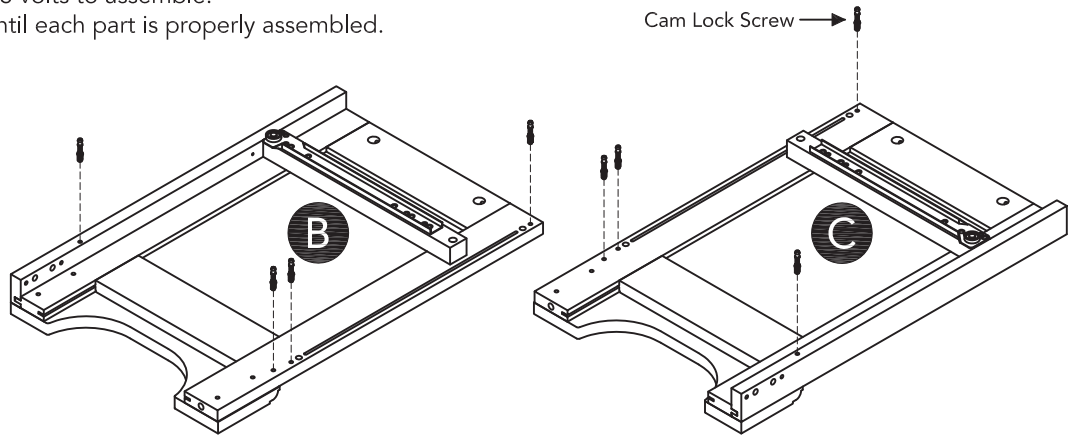
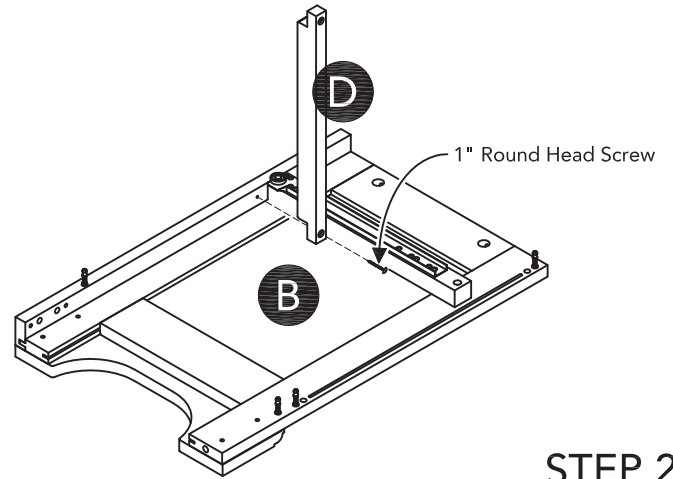
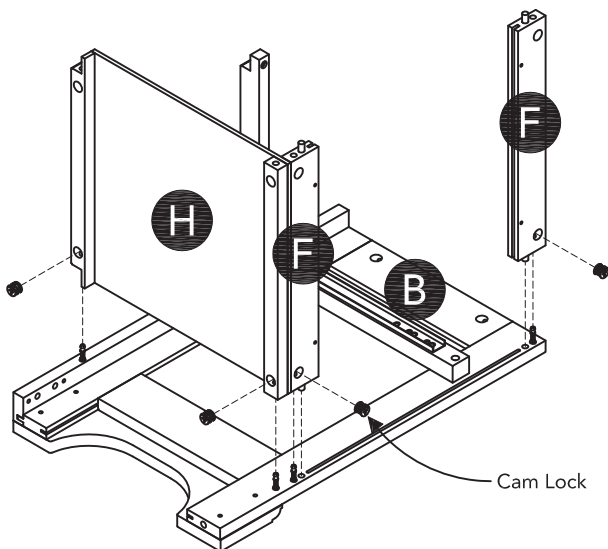


Figure 1



STEP 2

Attach Front Rail (D) to Side Panel (B) with 1" Round Head Screw. (See Figure 1)



STEP 3

Attach Back Rails (F) and Base (H) to Side Panel (B) with Cam Locks. (See Figure 2)

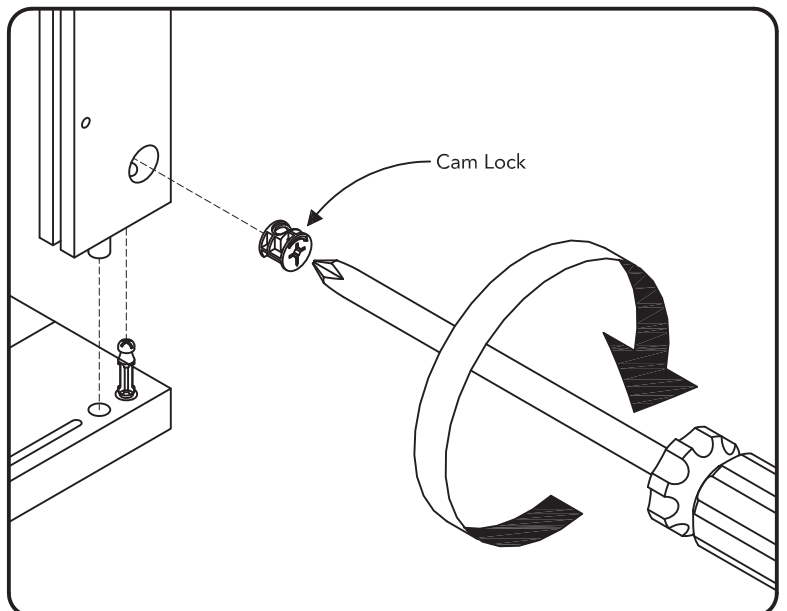


Figure 2

Assembly Instructions 3/7

STEP 4

Slide Back Panel (G) into position.

Attach Side Panel (C) to unit with Cam Locks and 1" Round Head Screw.
(See Figure 3)

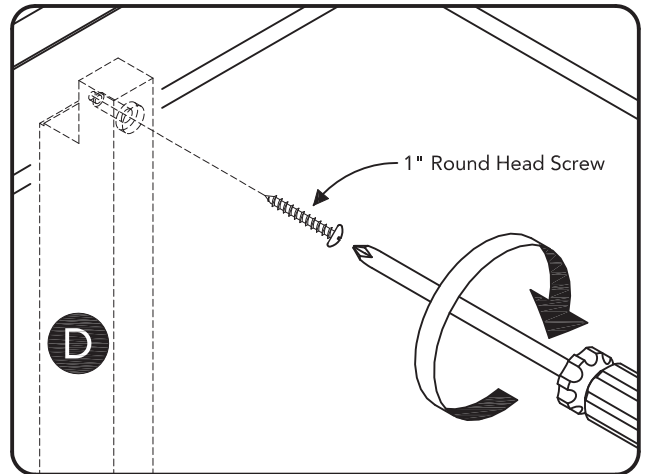
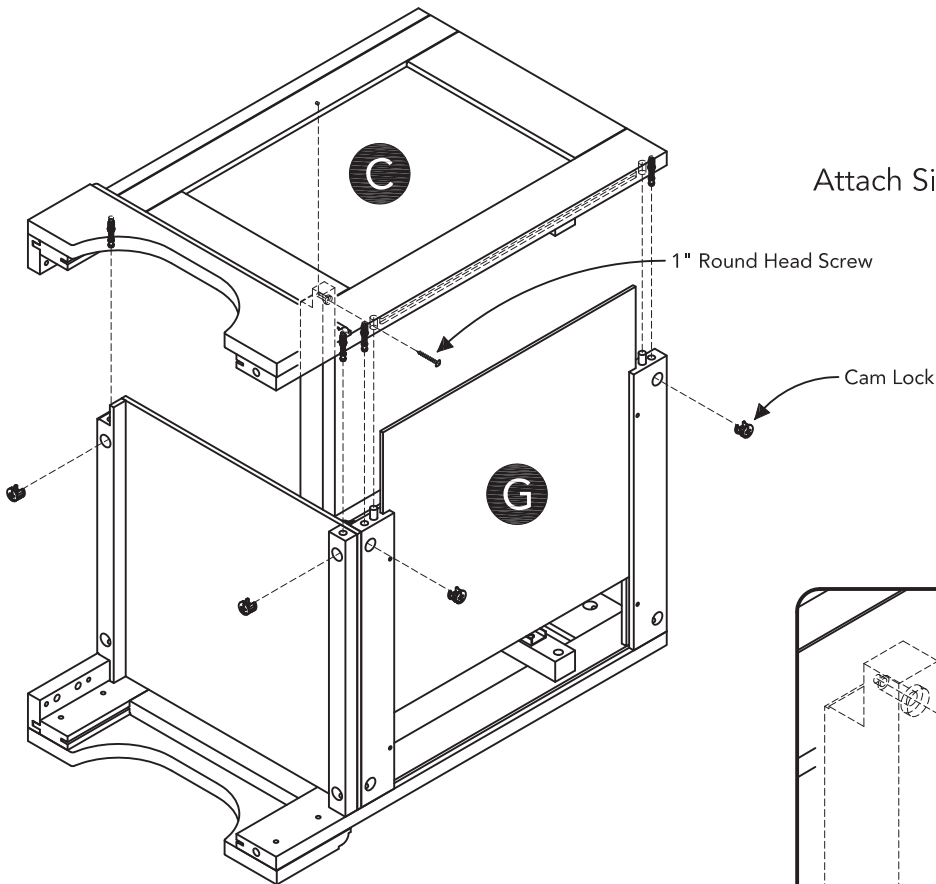
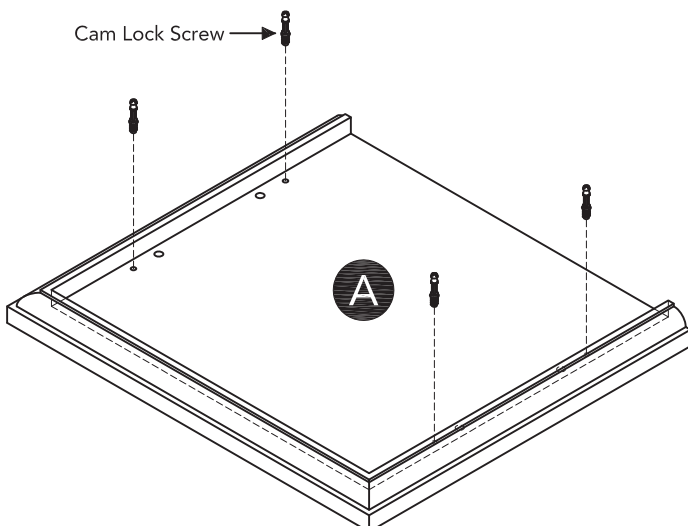


Figure 3

STEP 5

Insert Cam Lock Screws into pre-drilled holes in Top (A), then tighten.

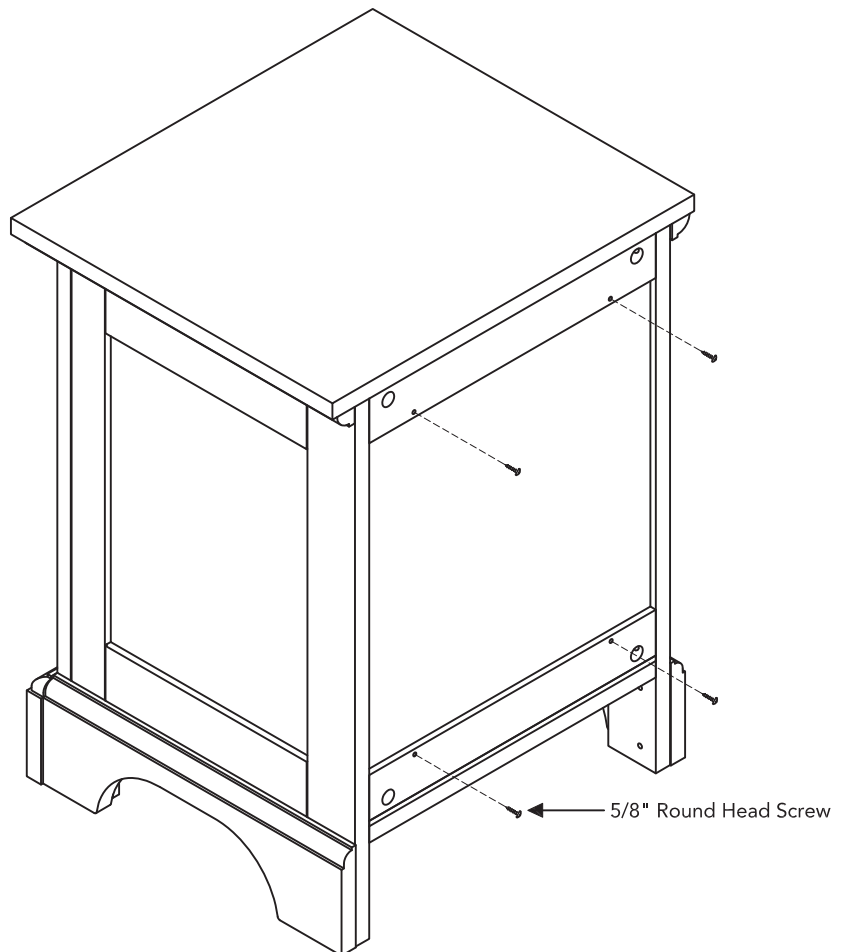
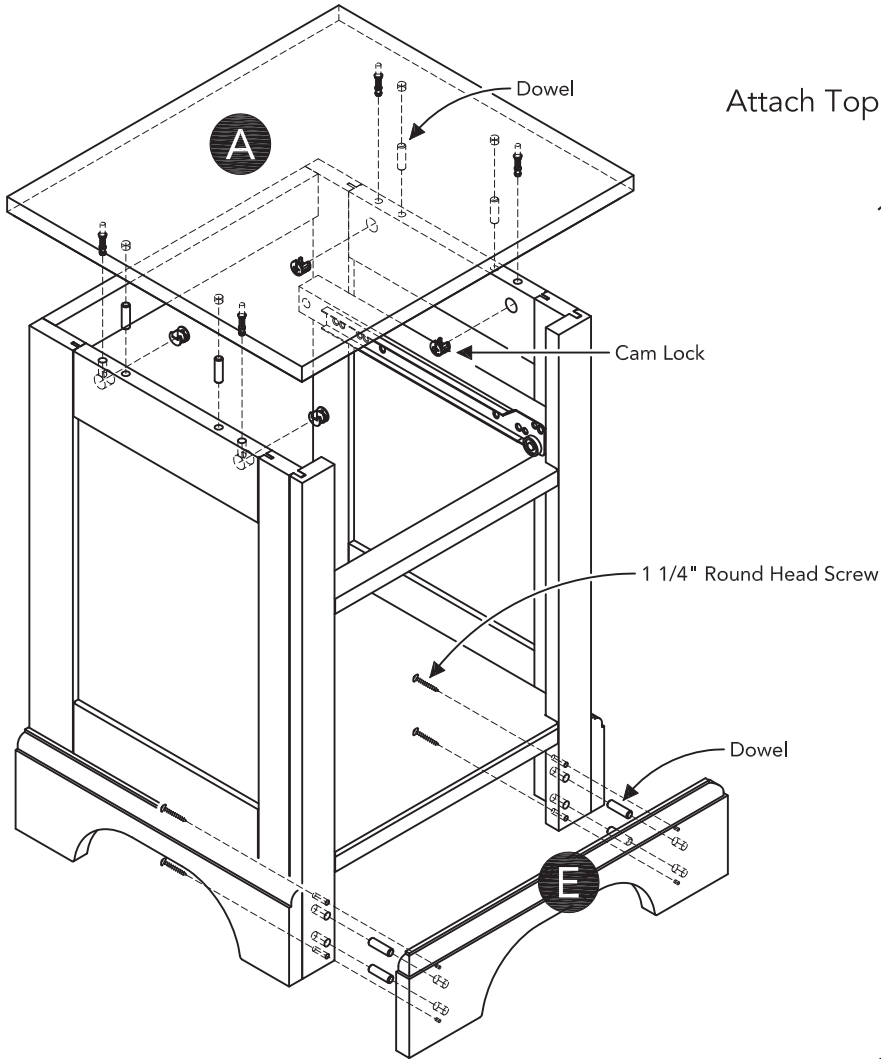


Assembly Instructions 4/7

STEP 6

Attach Top (A) to unit with Cam Locks and Dowels.

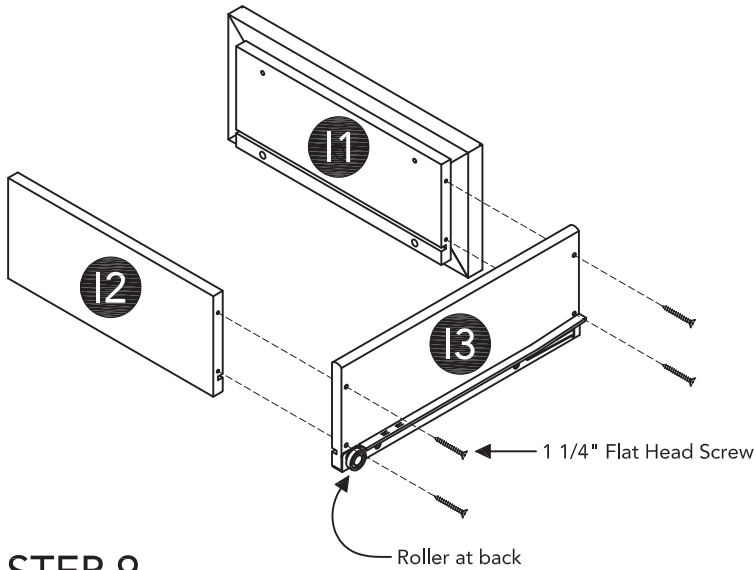
Attach Plinth (E) to unit with 1 1/4" Round Head Screws and Dowels.



STEP 7

Insert 5/8" Round Head Screws into pre-drilled holes in unit, then tighten.

Drawer (I)



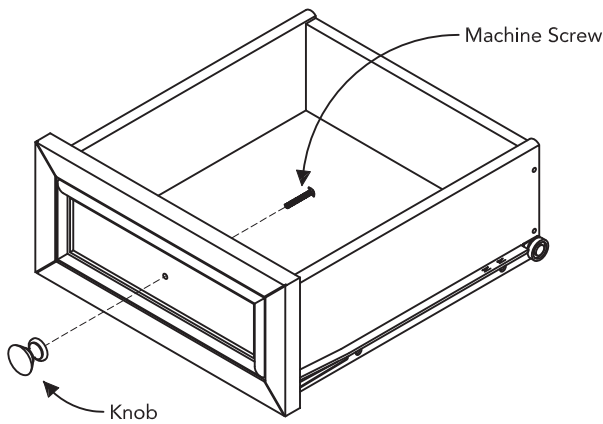
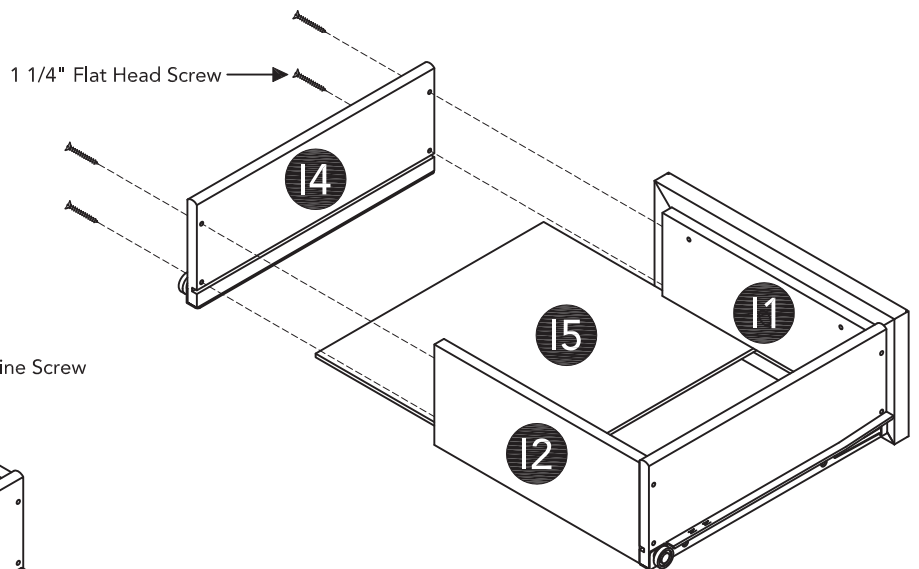
STEP 8

Attach Drawer Side (I3) to Drawer Front (I1) and Drawer Back (I2) with 1 1/4" Flat Head Screws.

STEP 9

Insert Drawer Bottom (I5) into groove.

Attach Drawer Side (I4) to unit with 1 1/4" Flat Head Screws.

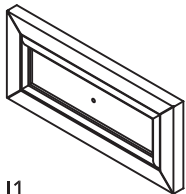


STEP 10

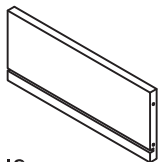
Attach Knob with Machine Screw.

Note: Drawer assembly is not complete until 3/4" Flat Head Screws are used in a later step.

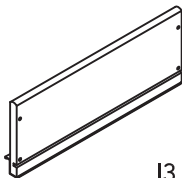
Part List



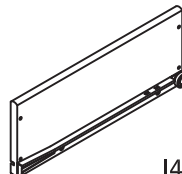
11.
Drawer Front
1 pc.



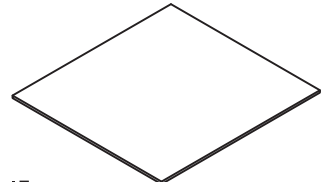
12.
Drawer Back
1 pc.



13.
Drawer Side
1 pc.



14.
Drawer Side
1 pc.

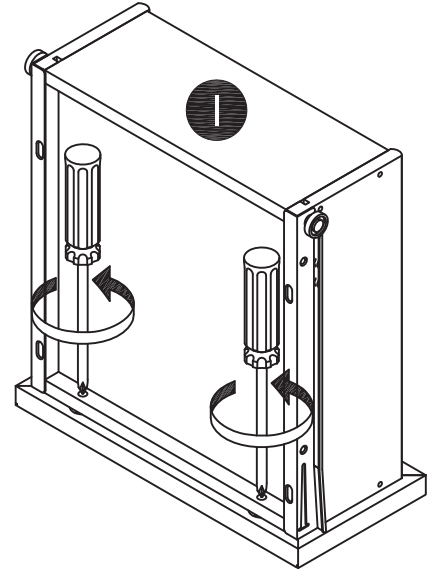
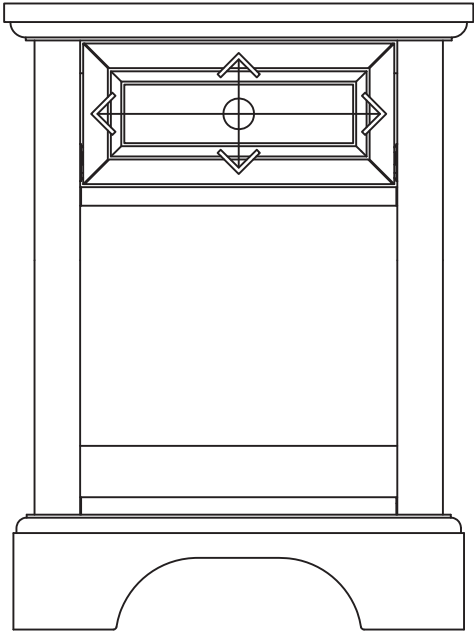


15.
Drawer Bottom
1 pc.

Assembly Instructions 6/7

STEP 11

Loosen slightly screws pre-installed on back of drawer front.



STEP 12

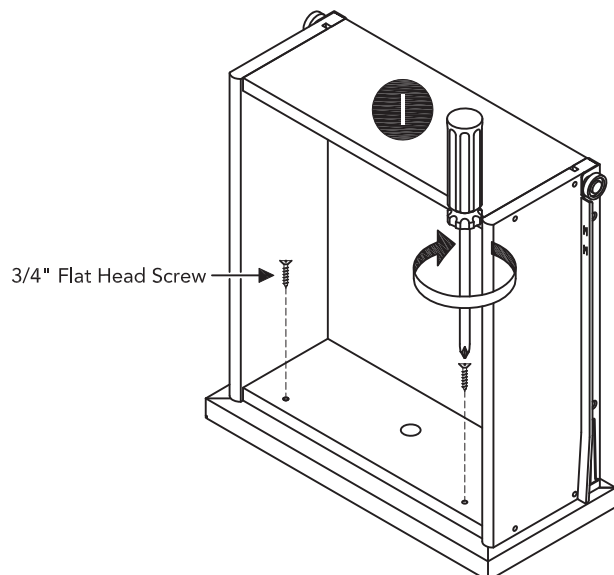
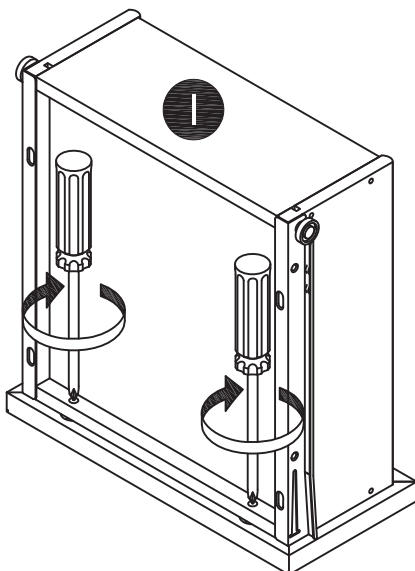
Insert drawer into unit, then adjust drawer front panel left or right and up or down until drawer gaps look proportional.

STEP 13

Pull drawer open slowly, then re-tighten screws from Step 11.

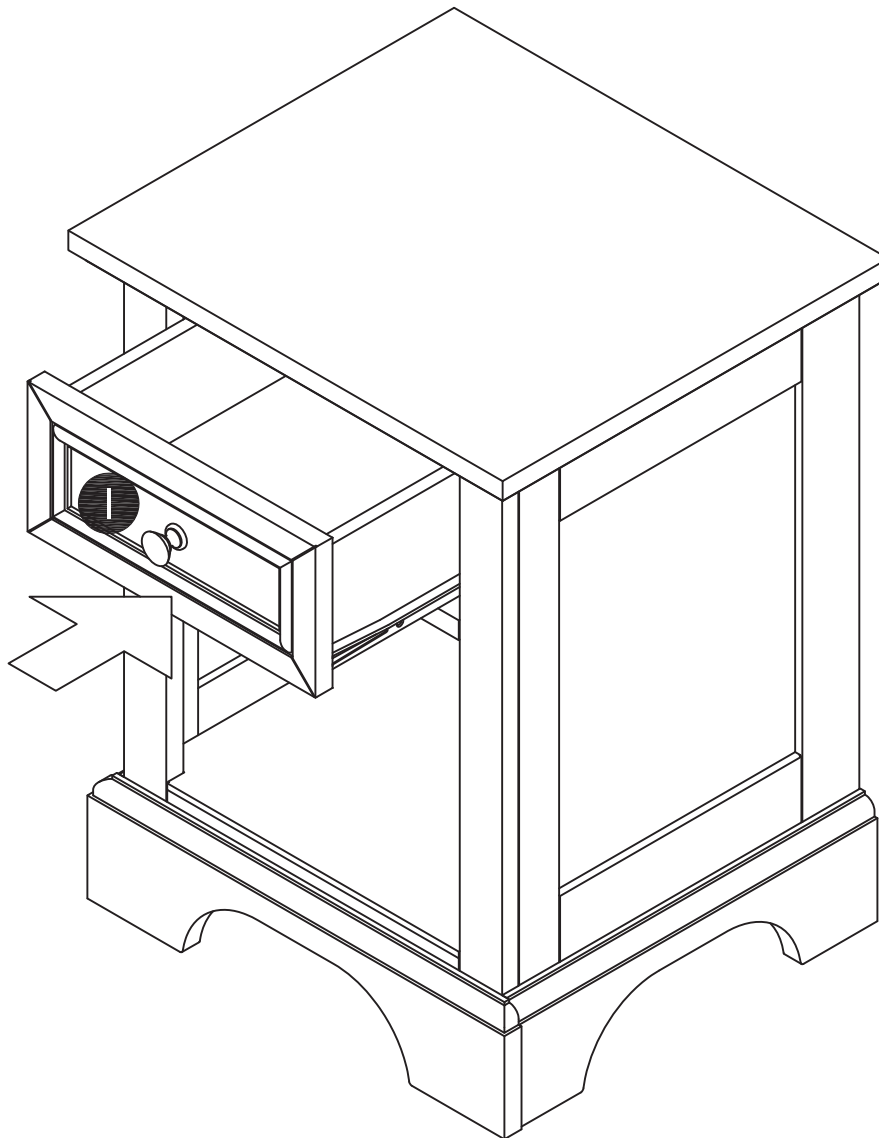
Make sure drawer front panel does not move and lock drawer front panel into position with 3/4" Flat Head Screws.

Note: These 3/4" Flat Head Screws must be installed to complete the drawer assembly.



STEP 14

Slide Drawer (I) into position.



CARE INSTRUCTIONS

NEVER

allow liquids to remain on furniture.
Absorption causes parts to warp
and split and finishes to delaminate.

NEVER

use glass cleaners on
finished furniture. Ammonia
chemically attacks the finish.



Do not use power tools
above 8 volts to assemble.

**PREVENT
CRACKING**



Do not place
in direct sunlight.

**PREVENT
FADING**



Do not write
directly on surface.

**PREVENT
MARKING**



Do not place hot
objects on surface.

**PREVENT
FINISH DAMAGE**



Do not use rubber
based placemats.

**PREVENT
DISCOLORING**



Do not use commercial
waxes and polishes.

**PREVENT
YELLOWING**

CLEAN

with a soft cloth moistened
in lukewarm soap and water.
Buff with a dry clean cloth.



homestyles will provide replacements free of charge for missing or damaged parts within 30 days of purchase. Digital images of the defective parts may be required. If the product was not purchased from an authorized retailer, **homestyles** is under no obligation to provide replacement parts. Parts are not available for fully assembled items nor are parts available for sale. Replacements for missing or damaged parts may be requested via contact info below.

homestyles Customer Service: www.homestylesfurniture.com,
servicedesk@homestylesfurniture.com, 888-680-7460