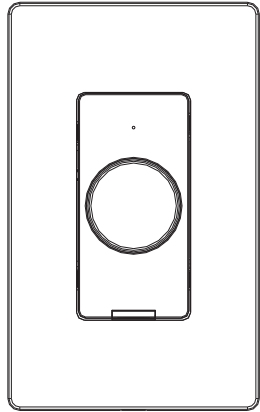




# Wi-Fi Smart Dimmer Installation Guide

Works with DIMMABLE LED,CFL, Incandescent and halogen lights



Model No.	DIM/ROTARY/WIFI
Rated Voltage	120V~
Rated Frequency	60HZ
Rated Wattage	600W
Load Range	Incandescent:15W-600W LED/CFL:3W-200W
Dimming Mode	Phase-Cut
Work Environment	Temperature:32°F-104°F Humidity:10% R.H.- 90% R.H.
Model Size	4.72in x 2.91in x 1.69in (LxWxH)



## WARNINGS AND CAUTIONS

- Risk of fire and electrical shock, the dimmer should be installed in accordance with appropriate electrical codes and regulations.
- Turn power off at circuit breaker or fuse and test that power is off before installing.
- After installing the dimmer, it is recommended to set the minimum brightness level to trigger the lights to turn on immediately.
- If you are unsure about any part of these instructions, consult a licensed electrician.
- To reduce the risk of overheating and possible damage to other equipment, do not install to control a receptacle, a motor-operated appliance or a transformer-supplied appliance.
- Use with compatible dimmable LED, CFL, incandescent or halogen lights only.
- When multiple lights are used with one dimmer DO NOT mix light types. All lights shall be either LED,CFL or incandescent. Using the same type of light will enhance dimmer performance.

### Adjusting Minimum Brightness:

- If the light blinks at the lowest setting, increase the minimum brightness.
- While the light is on, increase the brightness and press the knob switch quickly 6 times. Alternatively, use the minimum brightness setting button (see step 7 for details).

### Adjusting for Delays:

- If the dimmer is slow to respond at the lowest setting, increase the minimum brightness. While the light is on, increase the brightness and press the knob switch 6 times briefly. You can also use the minimum brightness setting button (see step 7 for details).

## RF EXPOSURE STATEMENT

This equipment complies with the FCC RF radiation exposure limits set forth for an uncontrolled environment. This equipment should be installed and operated with a minimum distance of 20cm between the radiator and any part of your body.

## FCC Information

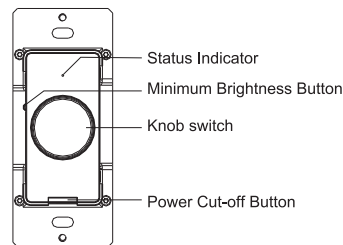
This device complies with Part 15 of the FCC Rules. Operation is subject to the following two conditions: This device may not cause harmful interference, and (2) This device must accept any interference received, including interference that may cause undesired operation. This equipment has been tested and found to comply with the limits for a Class B digital device, pursuant to part 15 of the FCC Rules. These limits are designed to provide reasonable protection against harmful interference in a residential installation. This equipment generates, uses and can radiate radio frequency energy and, if not installed and used in accordance with the instructions, may cause harmful interference to radio communications. However, there is no guarantee that interference will not occur in a particular installation. If this equipment does cause harmful interference to radio or television reception, which can be determined by turning the equipment off and on, the user is encouraged to try to correct the interference by one or more of the following measures:

- Reorient or relocate the receiving antenna.
- Increase the separation between the equipment and receiver.
- Connect the equipment into an outlet on a circuit different from that to which the receiver is connected.
- Consult the dealer or an experienced radio/TV technician for help.

## FCC CAUTION

Any changes or modifications to this unit not expressly approved by the manufacture could void the user's authority to operate the equipment.

## Functional parts instructions



## Status Indicator

- Indicator lights red: OFF status and APP is not connected.
- Indicator light white: ON Status or & APP is connected.
- White indicator blinks quickly: enter EZ pairing mode.
- White indicator blinks slowly: enter AP pairing mode.
- Red and white indicators blink alternately: Firmware upgrade.

- Short Press : within 0.5 seconds;
- Long Press : over 0.5 seconds;
- Continuous short press: Each interval of short press should within 0.5 seconds.

## Max. Brightness Button

- Setting the minimum brightness: There are six minimum brightness levels, short press the button of minimum brightness once can change a minimum brightness level, cycle through the six minimum brightness levels.

## Knob Switch

- Turn on: Short press knob switch once when in OFF.
- Turn off: Short press knob switch once when in ON.
- Dimming: Turn clockwise the knob switch to increase brightness, turn counter-clockwise to decrease brightness.
- Pairing network:
  - Long Press the knob switch for 5 seconds, the white light indicator starts blinking quickly, the dimmer enters EZ pairing mode, and using the Feit App can connect to the dimmer. Dimmer will exit out of pairing mode after 3 min.
  - After the dimmer enters EZ pairing mode, press and hold the knob switch again for 5 seconds, and the indicator light will start blinking slower entering AP mode.

### Note:

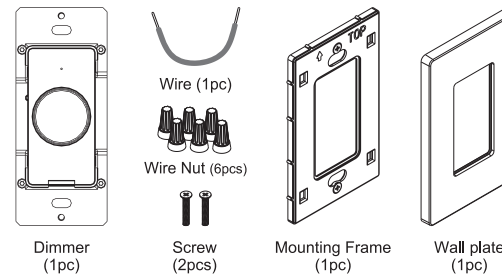
- Ensure both your phone's Wi-Fi and Bluetooth are enabled to ensure a quick connection.
- Direct Bluetooth control with the Feit Electric App will be enabled if the dimmer goes offline for 2 minutes.

- Set the minimum and maximum brightness:
- When the light is on, adjust the brightness to the ideal minimum brightness below 50%, press the knob switch for 6 times continuously, and the indicator white light blinks for 3 times to set the minimum brightness; After the brightness is adjusted to the ideal maximum brightness above 50%, press the knob switch for 6 times continuously, and the indicator white light blinks for 3 times to set the maximum brightness.
- Clear the minimum and maximum brightness setting: When in ON status, continuous short press the knob switch for 9 times and the white indicator blinks for 5 times.
- Restore factory settings: Continuous short press knob switch 12 times and the status indicator blinks once to restore the factory default settings (1. The light is at its brightest when it is on. 2. The dimmer is in EZ pairing mode).

## Air-Gap Switch Tab

- The Feit Electric Wall Dimmer has an air-gap switch tab that will remove all power from the load for safe switch installation and light bulb replacement. To Activate the air-gap tab, using your fingernail or flat screwdriver to pry the tab open at the groove.

## Parts Information



Line/Load	Ligne/Charger	Line/Load	Ligne/Charger
Traveler 1	Voyageur 1	Traveler 1	Voyageur 1
Traveler 2	Voyageur 2	Traveler 2	Voyageur 2

Sticker (1pc) Note: Tag the wires in the wall box

## Tools Needed To Install

Ø 5 mm Philips Screwdriver	Test Pencil
Electrical Tape	Plier
Cutter	Ruler

## Installation

### Step 1

To prevent fire and electrical shock, turn off the power at the circuit breaker or fuse box and verify that the power is off before starting any wiring.

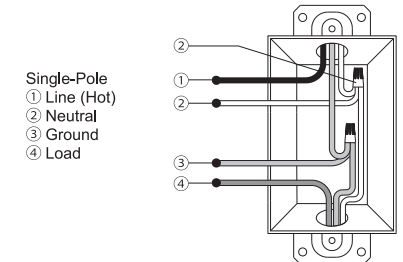
### Step 2

Remove the screws installed on the existing panel and switch, carefully pull out the switch from the wall box, identify and remove the power cord attached to the switch, and remove the switch, do not remove the power cord detached from the switch. (This step is not required for new configuration installation.)

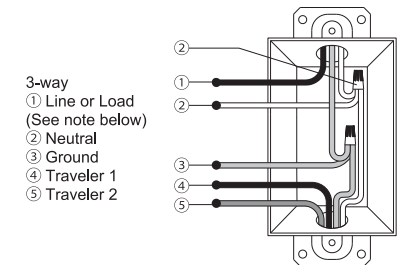
### Step 3

Identify the circuit type.

Note: If the wiring in the wall box is different from the following layouts, please consult an electrician.



- Single-Pole
- Line (Hot)
  - Neutral
  - Ground
  - Load



- 3-way
- Line or Load (See note below)
  - Neutral
  - Ground
  - Traveler 1
  - Traveler 2

**IMPORTANT:** Please note that for 3-way application, there has a power cord from the original switch be a different color (Black) or marked Common. Finding this power cord from both the dimmer's junction box and 3-way junction box and marking as common (live or load).

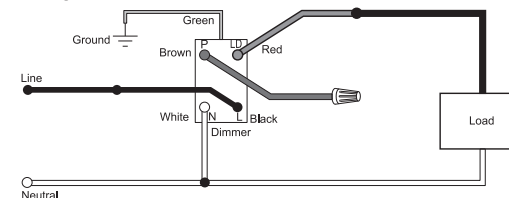
### Step 4

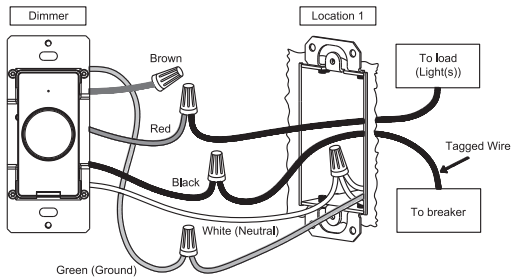
Typical wire connection.

### Step 4a

Single-Pole.

**Wiring scheme 1**

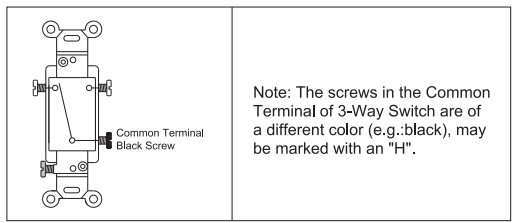




- Location 1 connection:**
- Connect the green wire on the dimmer with the green or bare copper ground wire on the wall box and tighten it by screwing the wiring nut.
  - Connect the black wire on the dimmer with the live wire of the circuit breaker and tighten it by screwing the wiring nut.
  - Connect the white wire on the dimmer with the neutral wire, and tighten it by screwing the wiring nut.
  - Connect the red wire on the dimmer with the load wire and tighten it by screwing the wiring nut.
  - Protect the remaining brown wire on the dimmer by screwing the wiring nut.

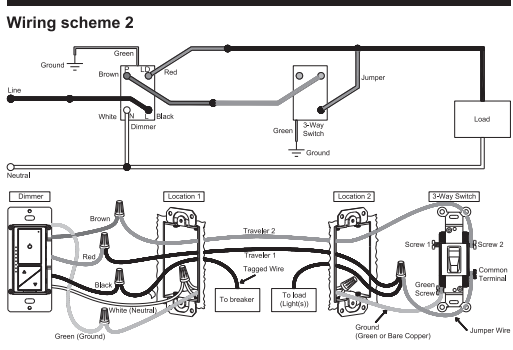
**Step 4b**  
3-Way  
**Step 4b -1**  
3-Way(3-way Switch)

**Note: When 3-Way connection, mark the Traveler 1 and Traveler 2 clearly at Location 1 and Location 2 to prevent wiring errors**



Note: The screws in the Common Terminal of 3-Way Switch are of a different color (e.g..black), may be marked with an "H".

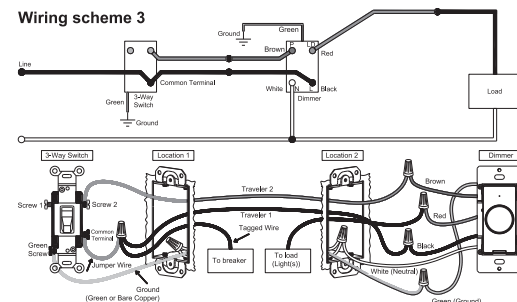
## Dimmer Line Side



- Location 1 wiring:**
- Connect the green wire on the dimmer with the green or bare copper ground wire on the wall box and tighten it by screwing the wiring nut.
  - Connect the black wire on the dimmer with the live wire of the circuit breaker (tagged wire) and tighten it by screwing the wiring nut.
  - Connect the white wire on the dimmer with the neutral wire, and tighten it by screwing the wiring nut.
  - Connect the brown wire on the dimmer with Traveler 2 and tighten it by screwing the wiring nut.
  - Connect the red wire on the dimmer with Traveler 1 and tighten it by screwing the wiring nut.

- Location 2 wiring:**
- Connect Traveler 2 with Screw 1 or Screw 2 of the 3-way Switch.
  - Connect the 3-way Switch Common Terminal with the Jumper wire, then connect Traveler 1 with the Jumper wire, as well as the load wire, and tighten it by screwing the wiring nut.

## Dimmer Load Side

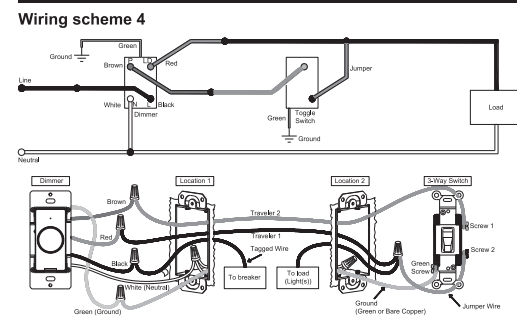


- Location 1 wiring:**
- Connect Traveler 2 with Screw 1 or Screw 2 of the 3-way Switch.
  - Connect the 3-way Switch Common Terminal with the Jumper wire, then connect Traveler 1 with the Jumper wire, as well as the live wire of the circuit breaker, and tighten it by screwing the wiring nut.

- Location 2 wiring:**
- Connect the green wire on the dimmer with the green or bare copper ground wire on the wall box and tighten it by screwing the wiring nut.
  - Connect the black wire on the dimmer with Traveler 1 and tighten it by screwing the wiring nut.
  - Connect the white wire on the dimmer with the neutral wire, and tighten it by screwing the wiring nut.
  - Connect the brown wire on the dimmer with Traveler 2 and tighten it by screwing the wiring nut.
  - Connect the red wire on the dimmer with tagged wire (load wire) and tighten it by screwing the wiring nut.

**Step 4b -2**  
3-Way (Toggle Switch)  
**Note: When wiring a 3-Way connection, mark the Traveler 1 and Traveler 2 wires clearly at location 1 and location 2 to prevent wiring errors.**

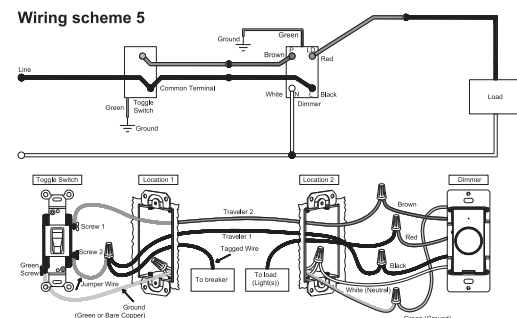
## Dimmer Line Side



- Location 1 connection:**
- Connect the green wire on the dimmer with the green or bare copper ground wire on the wall box and tighten it by screwing the wiring nut.
  - Connect the black wire on the dimmer with the live wire of the circuit breaker (tagged wire) and tighten it by screwing the wiring nut.
  - Connect the white wire on the dimmer with the neutral wire, and tighten it by screwing the wiring nut.
  - Connect the brown wire on the dimmer with Traveler 2 and tighten it by screwing the wiring nut.
  - Connect the red wire on the dimmer with Traveler 1 and tighten it by screwing the wiring nut.

- Location 2 wiring:**
- Connect Traveler 2 with Screw 1 of the Toggle Switch.
  - Connect Screw 2 of the Toggle switch with the Jumper wire, then connect Traveler 1 with the Jumper wire, as well as the load wire, and tighten it by screwing the wiring nut.

## Dimmer Load Side

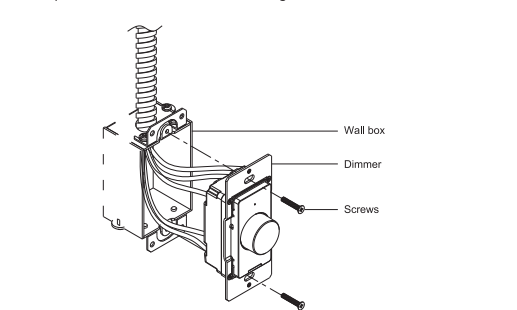


- Location 1 wiring:**
- Connect Traveler 2 with Screw 1 of the Toggle Switch.
  - Connect Screw 2 of the Toggle switch with the Jumper wire, then connect Traveler 1 with the Jumper wire, as well as the live wire of the circuit breaker, and tighten it by screwing the wiring nut.

- Location 2 wiring:**
- Connect the green wire on the dimmer with the green or bare copper ground wire on the wall box and tighten it by screwing the wiring nut.
  - Connect the black wire on the dimmer with Traveler 1 and tighten it by screwing the wiring nut.
  - Connect the white wire on the dimmer with the neutral wire, and tighten it by screwing the wiring nut.
  - Connect the brown wire on the dimmer with Traveler 2 and tighten it by screwing the wiring nut.
  - Connect the red wire on the dimmer with tagged wire (load wire) and tighten it by screwing the wiring nut.

**Step 5**  
Install the dimmer

- Carefully position all wires inside the wall-box, leaving enough space to insert the dimmer and tighten with the matched screws.



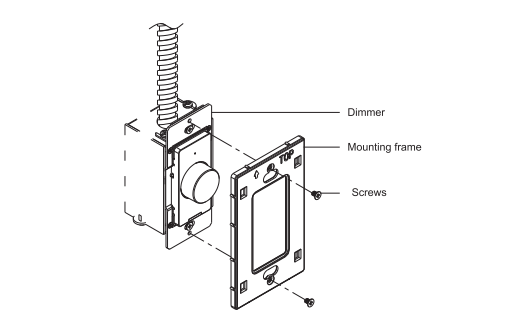
- Step 6**  
Turn on the power
- Turn the power on at the breaker or fuse and try your dimmer.
  - If satisfied with the dimmer's effective adjustment stroke and the brightness of the light, continue to step 8.

**Note:** Dimmable LED lights cannot be dimmed as low as incandescent and halogen lights, the dimming range of dimmable LED lights from different manufacturers will vary. If you are not satisfied with the dimming effect of the light, especially the effective adjustment stroke of the dimmer and the minimum brightness of the light, please debug it after installation to get a better result. See Step 7 for commissioning details.

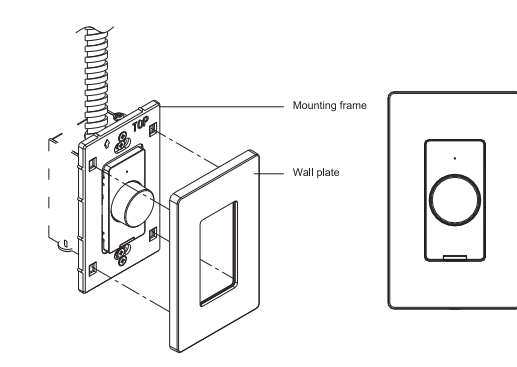
- Step 7**  
Debug
- 
- Short press the knob switch 1 time to make the light come on and work stably.
  - Adjust the light to the lowest brightness through the knob switch, if the light flickers, you can set the minimum brightness of the light by short pressing the minimum brightness setting button once, if it is not ideal, you can short press the minimum brightness setting button again until the light does not flicker, or you can adjust the light to the ideal minimum brightness through the knob switch. After the light stops flickering, press the knob switch 6 times to set the current brightness as the minimum.

**Step 8**  
Install the wall plate

- Install the mounting frame on the dimmer and secure it with the supporting mounting screws.



- Put the wall plate and mounting frame together, press gently to make sure it is installed firmly.



**User Instructions**

Short press	: Within 0.5s
Long press	: Over 0.5s
Continuous short press	: Each interval of short press should be within 0.5s

## Function Instruction

Table 1 Single-Pole Function Table

Function	Dimmer Operation Way	Dimmer Operation	App Operation
Pairing network	Long press the rotary switch for 5 seconds	√	×
ON/OFF	Short press the rotary switch once	√	√
Timer on/off	N/A	×	√
Dimming	Rotary Left or Right	√	√
Quickly turn to the max. brightness	Continuous short press the knob switch twice	√	√
Setting the maximum brightness	6 short rotary switch consecutive presses	√	×
Clear the minimum and maximum brightness	Short press the minimum brightness button	√	√
	6 short rotary switch consecutive presses		
Restore factory Settings	9 short rotary switch consecutive presses	√	×
Share device	N/A	×	√
Group control	N/A	×	√

Table 2 3-Way Function Table

Function	Dimmer Operation Way	Dimmer Operation	3-way Switch or Toggle Switch Operation	App Operation
Pairing network	Long press the rotary switch for 5 seconds	√	×	×
ON/OFF	Short press the rotary switch once	√	√	√
Timer on/off	N/A	×	×	√
Dimming	Rotary Left or Right	√	×	√
Quickly turn to the max. brightness	2 short rotary switch consecutive presses	√	×	√
Setting the maximum brightness	Continuous short press the knob switch 6 times	√	×	×
Setting the minimum brightness	Short press the minimum brightness button	√	×	√
	6 short rotary switch consecutive presses			
Clear the minimum and maximum brightness	9 short rotary switch consecutive presses	√	×	×
Restore factory Settings	12 short rotary switch consecutive presses	√	×	×
Share device	N/A	×	×	√
Group control	N/A	×	×	√

### Note: Operation Priority

- When the dimmer is being physically operated it suspends mobile app operation. You cannot physically operate the dimmer simultaneously with the app.

## Troubleshooting

Problems	Possible Cause	Solution
Lights flickering	The light wires are not well connected.	Reconnect and fix the wires.
	One dimmer has been connected to multiple types lights, incur interference and cause flicker.	Change the lights to the same type
	Abnormal	Pull out the air-gap switch tab to cut off power, then push the tab back in to restore power.
Firmware upgrading		Wait for the firmware upgrade to complete
Light flickers at low end of dimming range	The minimum brightness of the light is set too low	Turn up the minimum brightness value, see Step 7 for details.
Long stroke at the low end of dimmer	The minimum brightness of the light is set too low	Turn up the minimum brightness value, see Step 7 for details.
The light doesn't work	Circuit breaker has tripped.	Turn on the power again
	Fuse burn out	Replace fuse
	Light broken	Change the light
	Wiring is not properly connected.	Checking wire connections
Lights out of control or unable to connect to the network	Abnormal	Pull out the air-gap switch tab to cut off power, then push the tab back in to restore power.
The dimmer cannot be operated in 3-way connection	Wiring connections error or disconnected	Check the wiring
	3-way switch is abnormal	Replace the 3-way switch