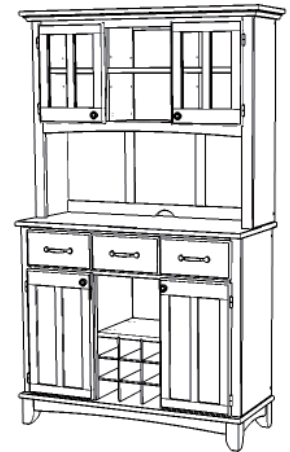


# 88 5100 304 Hutch



Hutch Unit



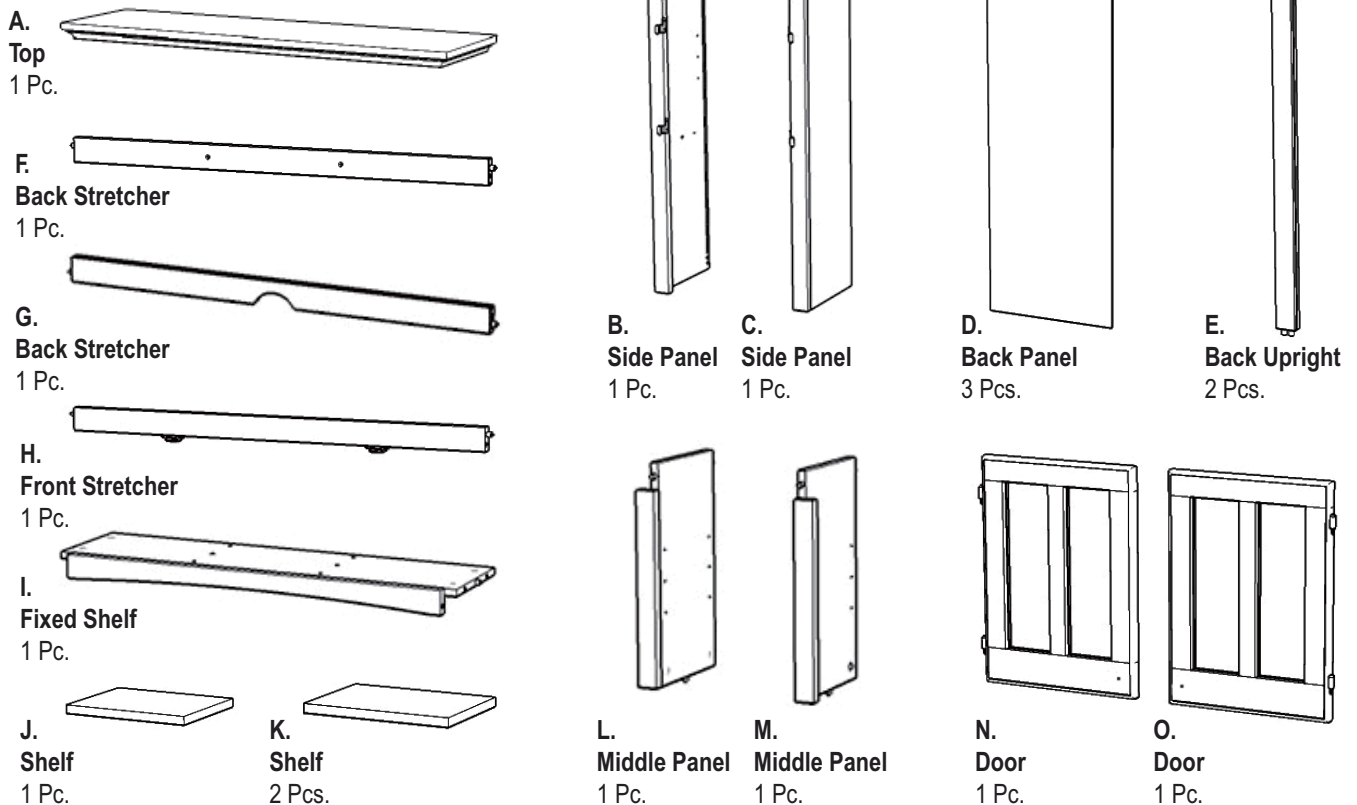
## IMPORTANT NOTE

Carefully remove all the parts from the carton and put them individually on a soft cloth to prevent scratches or other damage occurring to the parts.

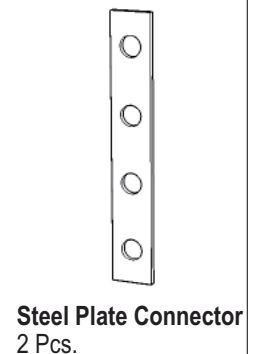
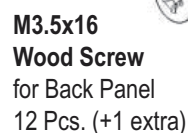
We have taken great care in the design of this product and request that you carefully and strictly follow our assembly instructions to ensure a completed product as it was designed.

*Home  
Styles*

## Part List



## Hardware List



**Tools required for assembly :** Phillips screwdriver, Drill, 3/8" Drill Bit

**Home Styles Consumer Assistance :** [www.homestyles-furniture.com](http://www.homestyles-furniture.com),  
[servicedesk@homestyles-furniture.com](mailto:servicedesk@homestyles-furniture.com), 888-680-7460, 877-831-0319

## IMPORTANT

- \* Do not tighten up all the bolts until each part is properly assembled.
- \* Use a soft cloth between these parts and the floor.

## STEP 1

Insert Cam Lock Screws into pre-drilled holes of Top (A), Side Panels (B), (C) and Fixed Shelf (I). (See Figure 1)

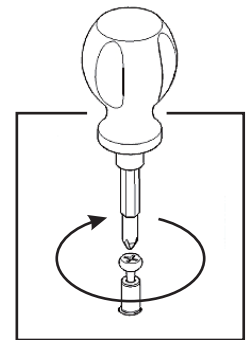
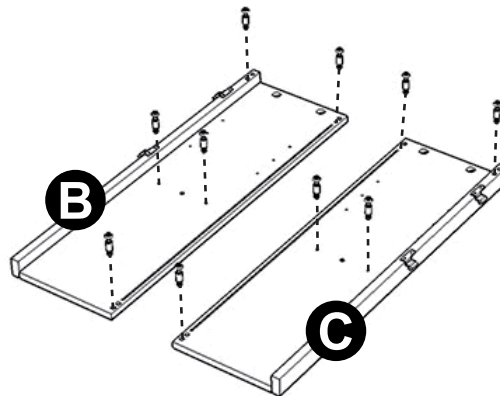
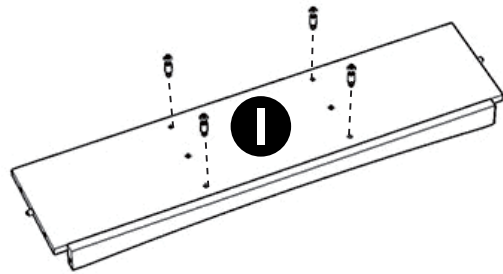
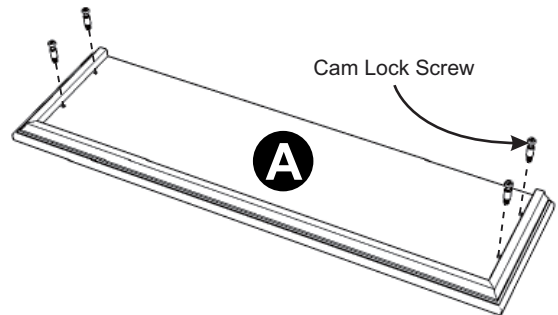
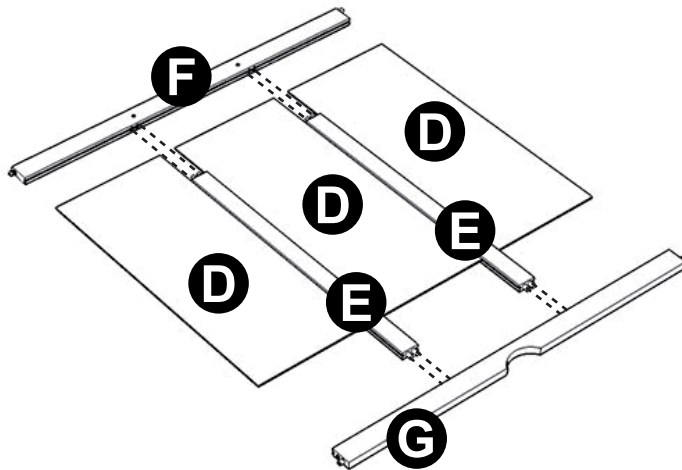


Figure 1



## STEP 2

Attach Back Uprights (E) to Back Stretcher (G).

Slide Back Panels (D) into place.

Attach Back Stretcher (F) to Back Uprights (E).

## STEP 3

Attach Middle Panels (L) and (M) to Fixed Shelf (I) with Cam Locks. (See Figure 2)

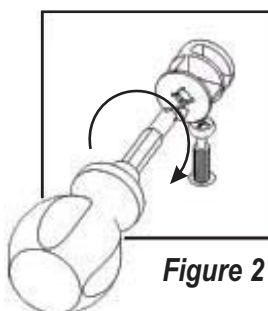
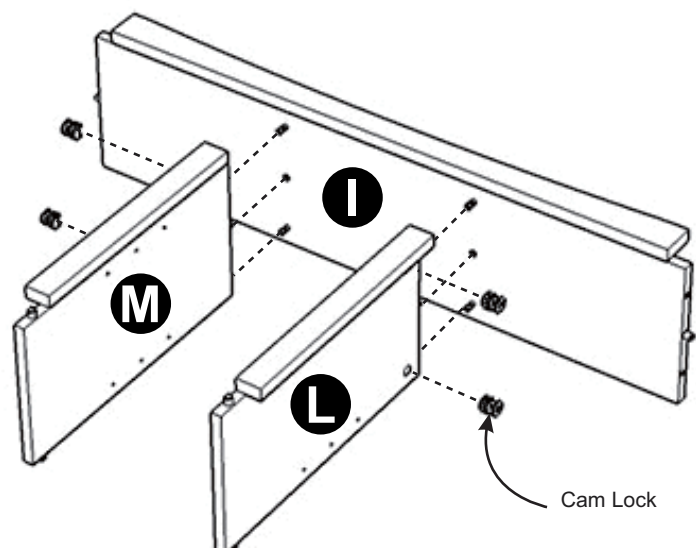
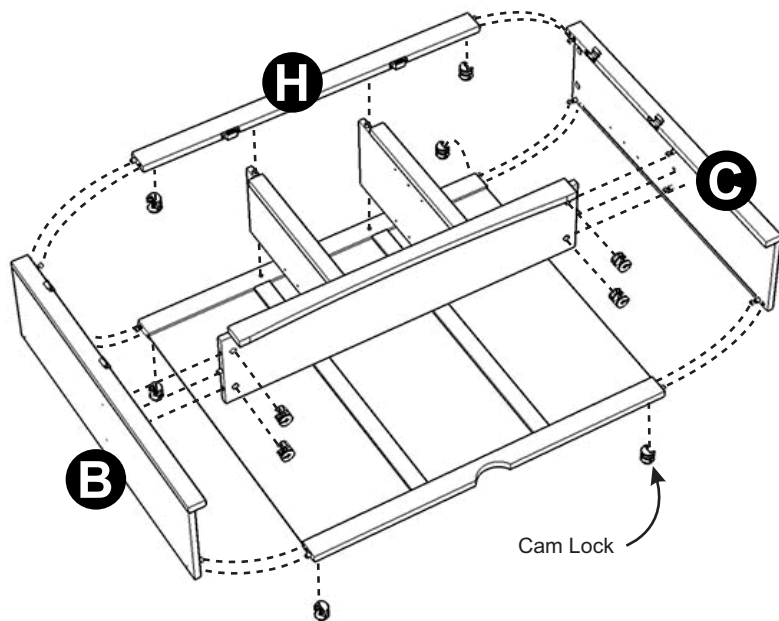


Figure 2





## STEP 4

Attach unit from Step 2, Front Stretcher (H) and Side Panel (B) to the unit from Step 3 with Cam Locks.

Attach Side Panel (C) to the unit with Cam Locks.

## STEP 5

Turn the unit to its' upright position.

Attach Top (A) to unit with Cam Locks.

Insert Adjustable Pins into side panels and middle panels at the desired level.

Place Shelf (J) and Shelves (K) into position.

Attach Knobs to Door (N) and (O) with Machine Screws.  
(See Figure 3)

Attach Door (N) and (O) to side panels by sliding the door lift hinges into side panel lift hinges.  
(See Figure 4)

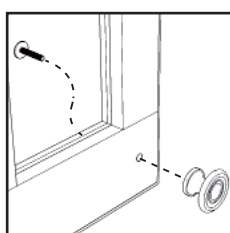
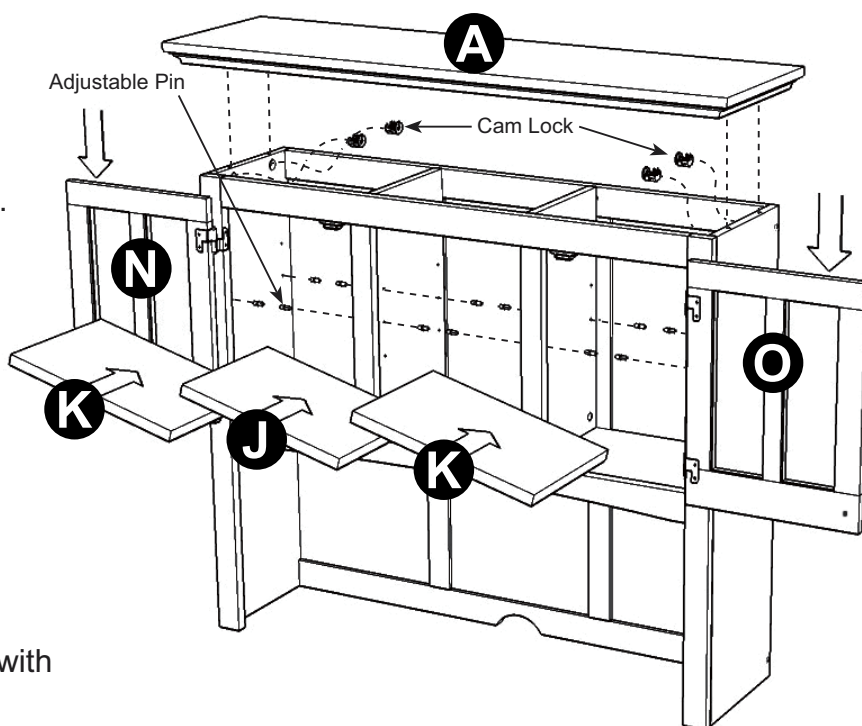


Figure 3

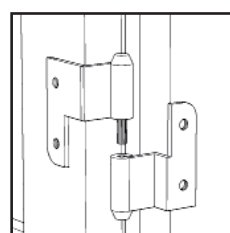
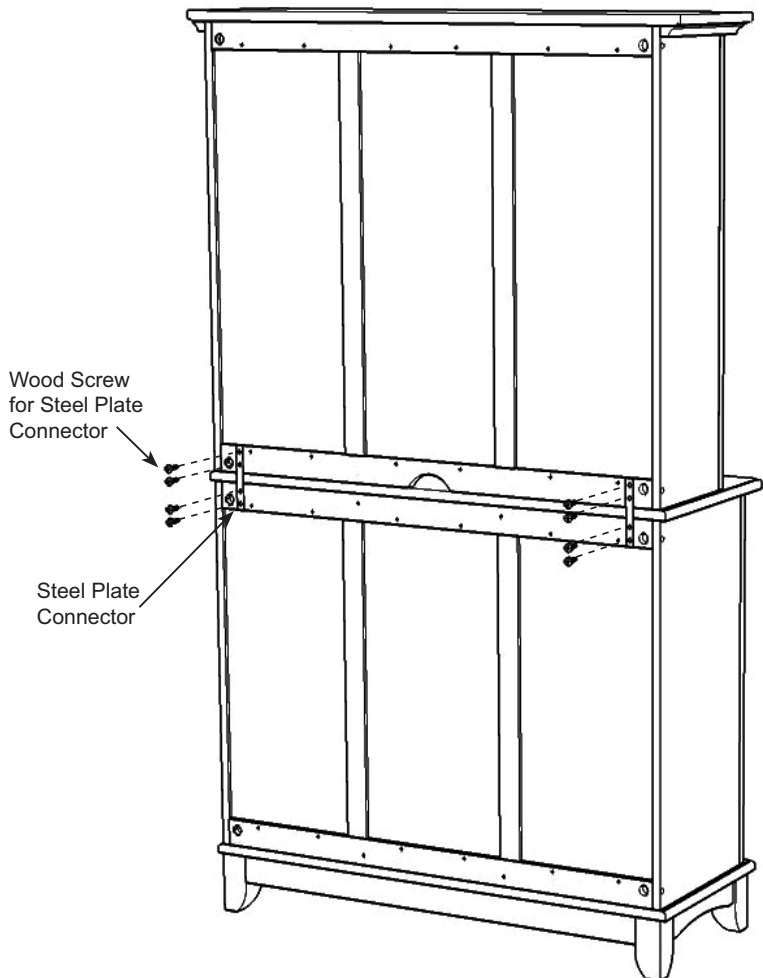
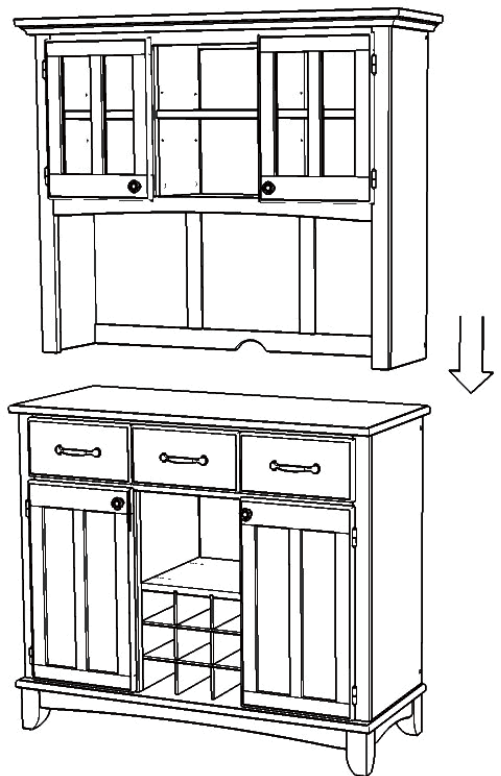


Figure 4

## STEP 7

Place Hutch onto Buffet.



## STEP 8

Attach Steel Plate Connectors using Wood Screws for Steel Plate Connector. (See Figure 5)

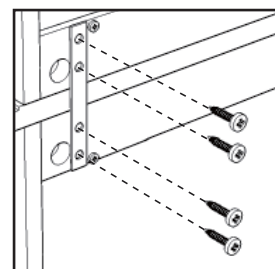
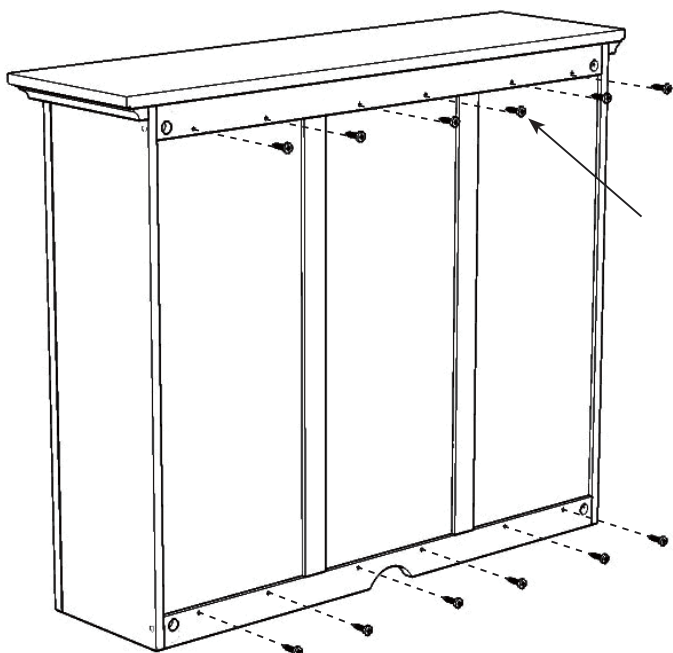


Figure 5



## STEP 9

Insert 12X Wood Screws for Back Panel into pre-drilled holes of Back Panel.

## Attention!

To help reduce the risk of the unit tipping over, the Tipover Restraint must be installed following these instructions exactly!

Place unit at desired location.

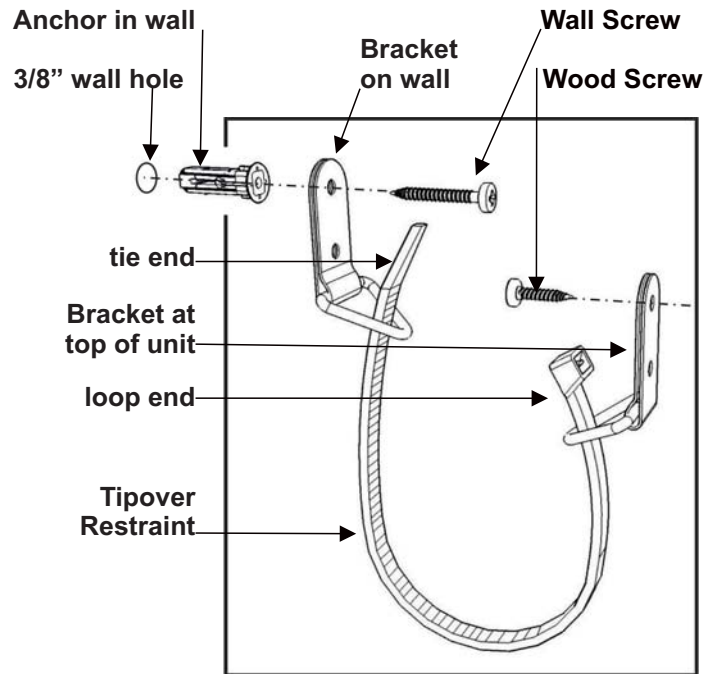
Drill a 3/8" hole in wall at the appropriate location.

Insert Anchor into the wall hole and attach Bracket with Wall Screw.

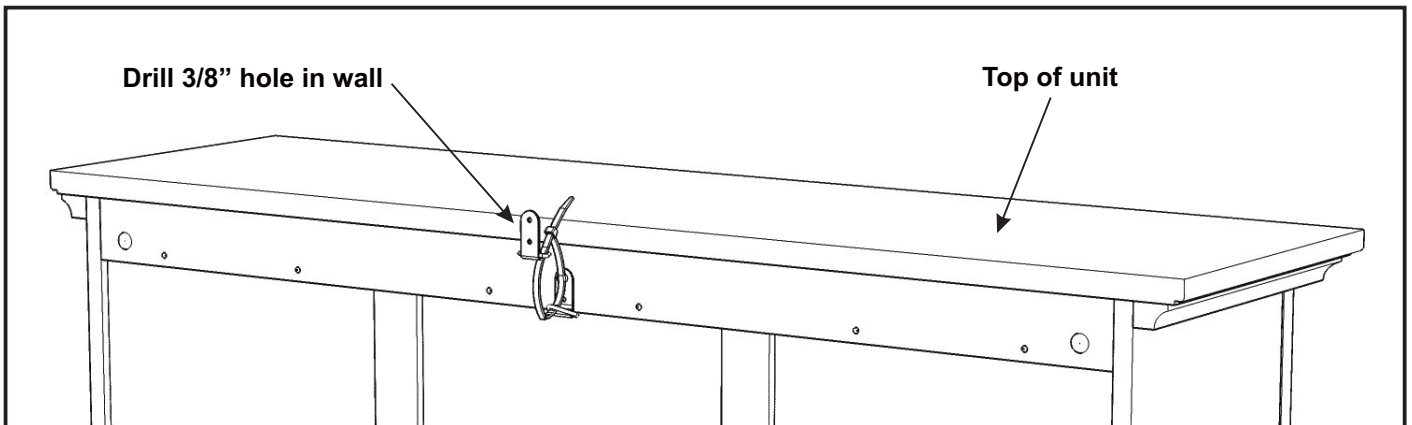
Attach Bracket at pre-drilled hole at top of unit with Wood Screw.

Use Tipover Restraint to secure Bracket on unit to Bracket on wall.  
(See Figure X)

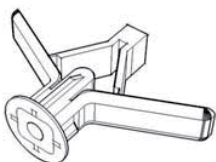
Put tie end of Tipover Restraint into loop end of Tipover Restraint and pull until tight.



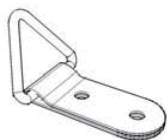
**Figure X**



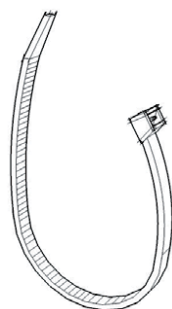
## Hardware List



**Anchor**  
1 pc.(+1 extra)



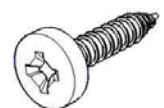
**Bracket**  
2 pcs.(+1 extra)



**Tipover Restraint**  
1 pc.(+1 extra)



**M3.5x40  
Wall Screw**  
1 pc.(+1 extra)



**M3.5x13  
Wood Screw**  
1 pc.(+1 extra)