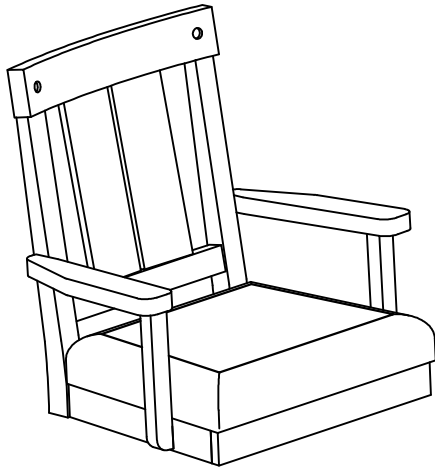


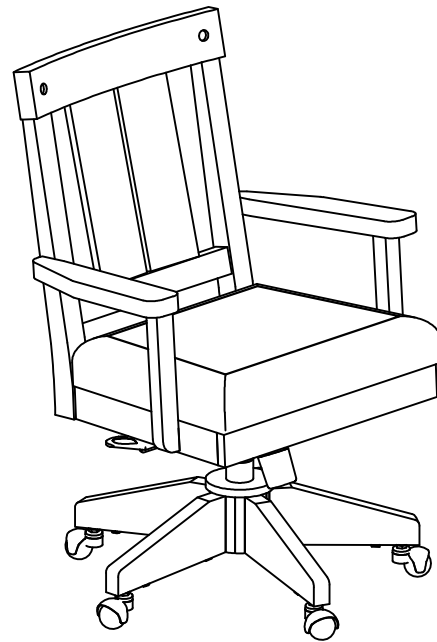
YOSEMITE OFFICE CHAIR ASSEMBLY INSTRUCTIONS



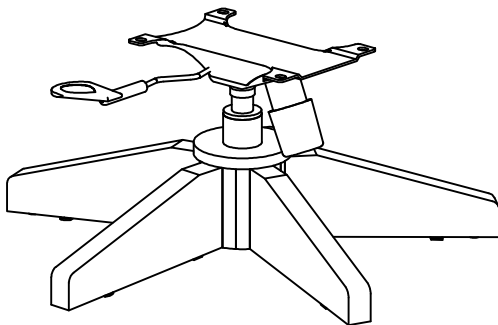
A. OFFICE SEAT 1 PC



YOSEMITE OFFICE CHAIR
ASSEMBLED



B. LEG FRAME 1 PC

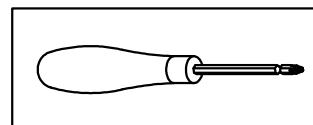


HARDWARE ENCLOSED IN BOX

| | | | | | | | | | | | | | | |
|---|-----------------------|-----------|---|---------------------|-----------|---|-----------|----------|---|--------|-----------|---|-----------------------|-----------|
| 1 | ALLEN BOLT (M6x20) | 04 PCS | 2 | FLAT WASHER (M6) | 04 PCS | 3 | ALLEN KEY | 01 PC | 4 | CASTER | 05 PCS | 5 | SPRING WASHER (M9) | 05 PCS |
| | | | | | | | | | | | | | | |
| 6 | FLAT WASHER (M9) | 05 PCS | 7 | SPANNER | 01 PC | | | | | | | | | |
| | | | | | | | | | | | | | | |

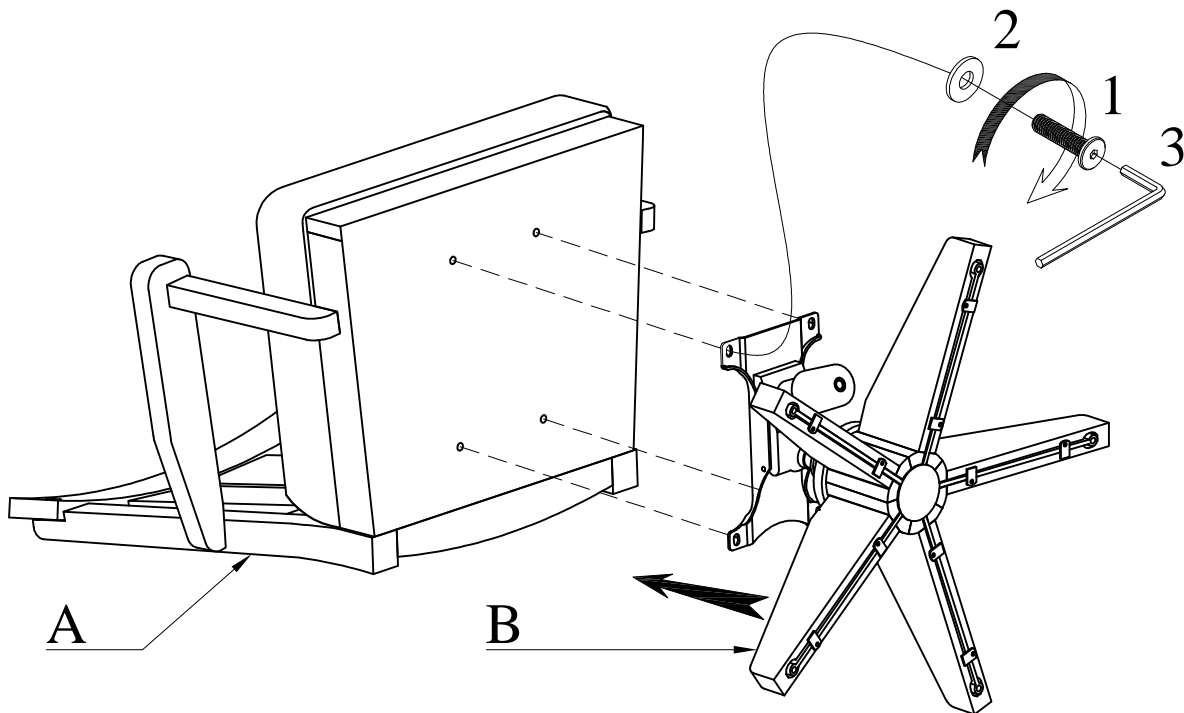
TOOL REQUIRED

PHILLIPS HEAD SCREW
DRIVER NOT PROVIDED



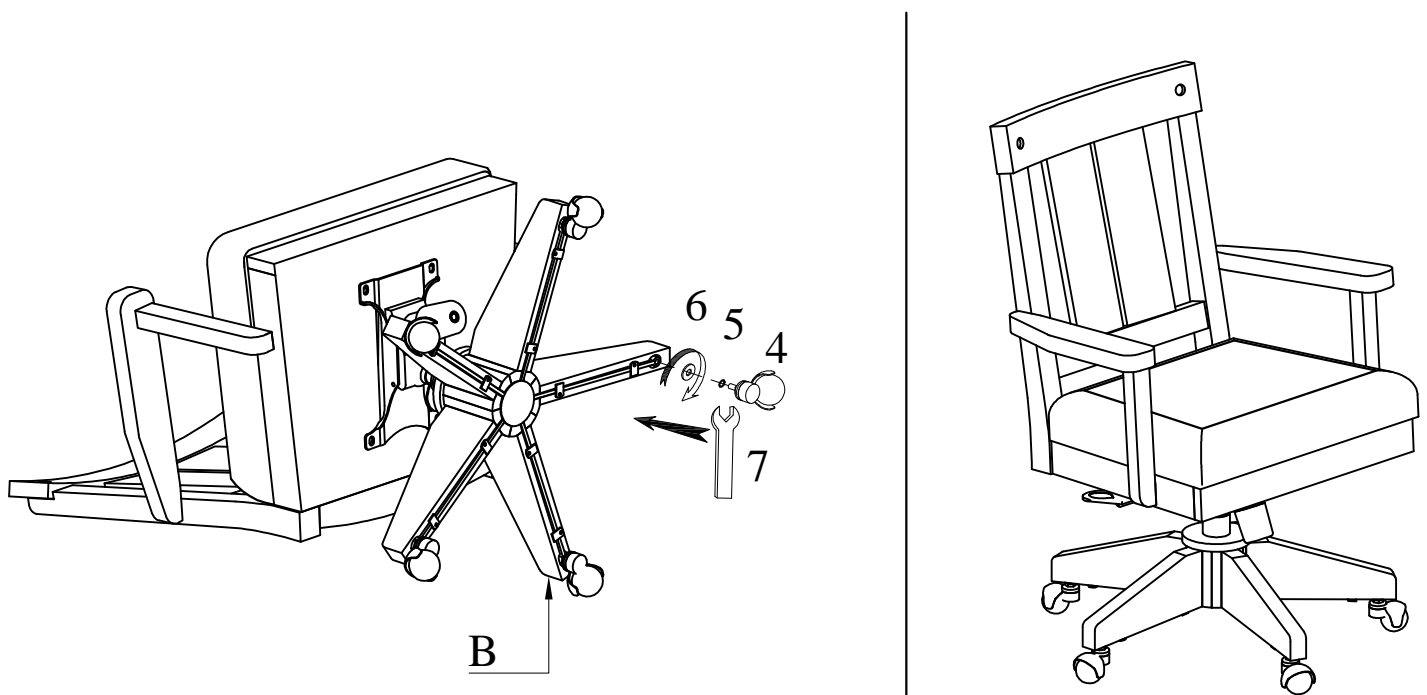
STEP 1:

CONNECT THE LEG FRAME (B) TO THE UNDERSIDE OF THE OFFICE SEAT (A) USING FOUR M6X20 ALLEN BOLTS (1) AND M6 FLAT WASHERS. MAKE SURE THE PISTON ADJUSTMENT KNOB IS FACING TOWARDS THE FRONT OF THE SEAT, PER THE ILLUSTRATION. TIGHTEN COMPLETELY WITH THE PROVIDED ALLEN KEY (3) .



STEP 2:

ATTACH THE CASTERS (4) TO THE CHAIR ASSEMBLY USING ONE M9 SPRING WASHER (5) AND M9 FLAT WASHER (6) PER CASTER. TIGHTEN COMPLETELY WITH THE PROVIDED SPANNER (7)



ASSEMBLY COMPLETE