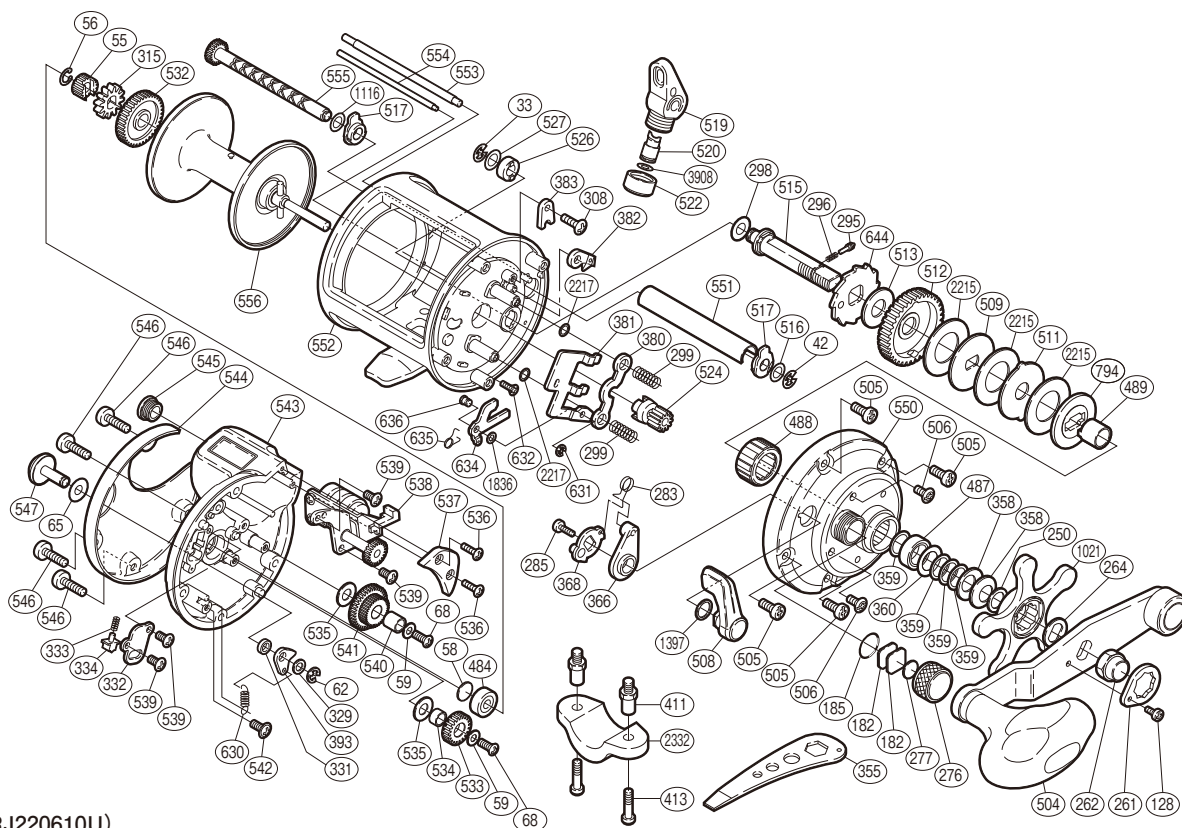


SHIMANO

TEKOTA

TEK-600LC



(51RJ220610U)

#	Part No.	Description	#	Part No.	Description	#	Part No.	Description
33	105NG	Drive Shaft Retainer	380	10483	Yoke	542	10K8T	Click Pawl Spring Screw
42	105NE	Worm Shaft Retainer	381	1045H	Yoke Plate	543	10LEL	Left Side Plate
55	10J7E	Idle Gear A	382	10MW8	Anti-Reverse Pawl	544	10NV3	Left Side Plate Cover
56	105SA	Idle Gear A Retainer	383	10KSK	Anti-Reverse Pawl Keeper	545	10NXP	Maintenance Cap
58	10GEU	Spacer B	393	10GQS	Click Pawl	546	10L9T	Left Side Plate Screw
59	104H5	Lock Washer	484	10KAD	Ball Bearing	547	1050J	Click Button
62	105NK	Click Pawl Retainer	487	10582	Ball Bearing	550	10HK7	Right Side Plate
65	104H2	Spacer (A)	488	10F5D	Roller Clutch Bearing	551	10HVV	Level Wind Guard
68	103GS	Idle Gear Screw	489	10BQ6	Roller Clutch Inner Tube	552	10LLA	One-Piece Frame
128	10QG0	Handle Nut Plate Screw	504	10B1R	Handle Assembly	553	10HX8	Stabilizer Bar A
182	105N0	Cast Control Spacer (A)	505	10LZ5	Right Side Plate Screw (A)	554	10BKT	Stabilizer Bar B
185	109EB	O Ring	506	10LF9	Right Side Plate Screw (B)	555	10KC5	Worm Shaft
250	10BR1	Star Drag Washer	508	10U11	Clutch Lever	556	10NPG	Spool Assembly
261	10QL8	Handle Nut Plate	509	10D4K	Key Washer (B)	630	10NRQ	Click Pawl Spring
262	10FT1	Handle Nut	511	10D48	Eared Washer (A)	631	105NC	Clutch Pawl Retainer
264	107QQ	Drive Shaft Shield	512	109DH	Drive Gear	632	103L2	Yoke Plate Screw
276	10KTA	Cast Control Cap	513	109BN	Drag Washer (A)	634	10P93	Clutch Pawl
277	10896	Cast Control Spacer (B)	515	10994	Drive Shaft	635	10QCR	Clutch Pawl Spring
283	10JYU	Clutch Spring	516	10HV6	Worm Shaft Spacer	636	10PNL	Clutch Pawl Pin
285	10F8M	Clutch Lever Screw	517	10HT3	Worm Bushing	644	10HMJ	Anti-Reverse Ratchet
295	109ZZ	Click Pin	519	10KCF	Line Guide	794	109F1	Key Washer (A)
296	10HZ5	Click Spring	520	10FFZ	Line Guide Pawl	1021	10HMU	Star Drag
298	10588	Drive Shaft Washer (B)	522	10FJP	Pawl Cap	1116	10D69	Worm Shaft Spacer
299	104BY	Yoke Spring	524	10AHE	Pinion Gear	1397	10AG2	Smoothing
308	10LSK	Anti-Reverse Pawl Screw	526	10BPW	Drive Shaft Bushing	1836	105A2	Washer
315	104F1	Click Gear	527	10D66	Drive Shaft Washer (A)	2215	10D2S	Drag Washer
329	109RC	Spacer (B)	532	10AQQ	Counter Gear A	2217	10KF6	Washer
331	10CFT	Click Pawl Spacer	533	10NXF	Idle Gear B	3908	10TZF	Spacer
332	104B6	Click Spring Retainer	534	10NXJ	Idle Gear B Support			
333	104MT	Click Spring	535	10G4P	Spacer A	411	1046R	Rod Clamp Nut (accessory)
334	104B8	Click Spring Holder	536	103BY	Left Side Plate Seal Screw	413	10A7C	Rod Clamp Bolt (accessory)
358	10EW3	Drag Spring Washer (8l)	537	10NRL	Left Side Plate Seal	2332	10EUN	Rod Clamp (accessory)
359	105PW	Bearing Thrust Washer	538	10B4V	Counter Assembly			
360	109RF	Bearing Seal	539	10QG5	Multi-Purpose Screw	355	10MJ2	Wrench (accessory)
366	10L2B	Eccentric Cam Bushing	540	10NXM	Idle Gear D Support			
368	1084G	Clutch Cam	541	10NXK	Idle Gear D			

Please note that the number of adjusting washers may not be the same as shown in the exploded views.
(Adjustment will vary with each individual product.)

(240625)_005