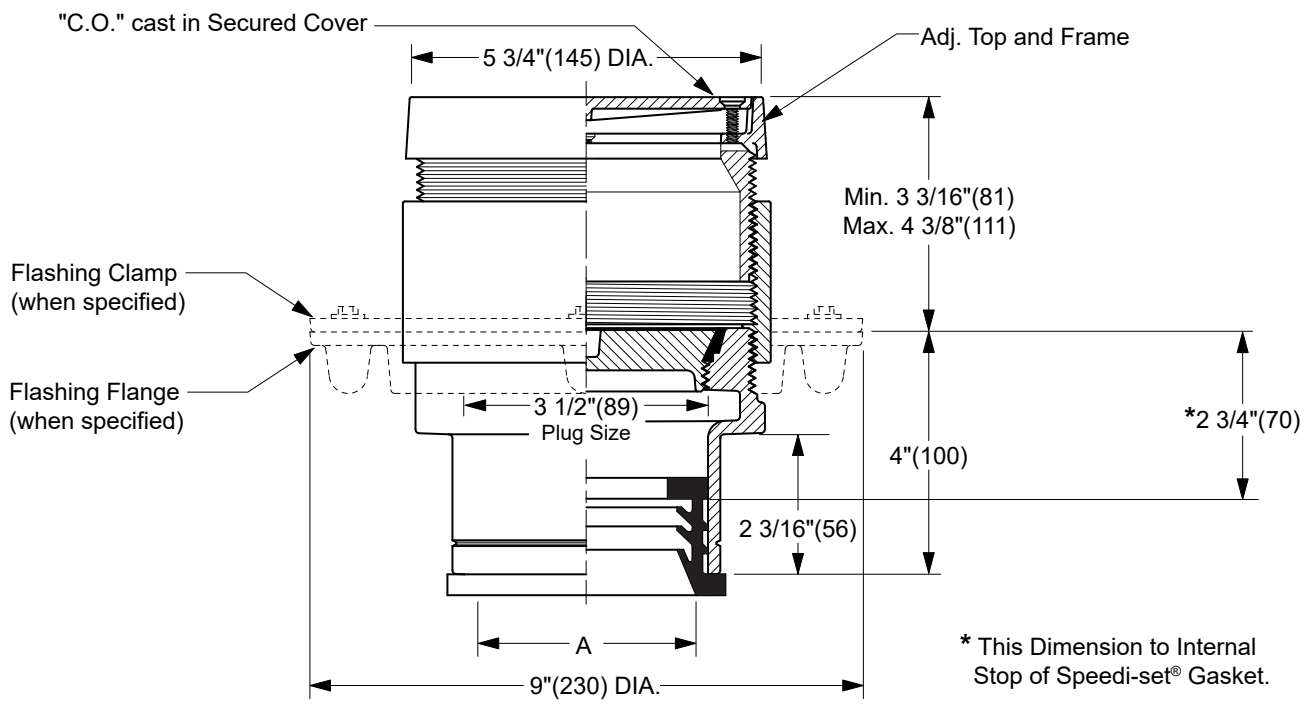


FINISHED FLOOR CLEANOUTS WITH "TWIS-TO-FLOOR"® ADJUSTABLE TOPS

ROUND NICKEL BRONZE TOP



DRAWING NUMBER S4031

SIZE A

SCALE: NONE

DATE: 2-16-70

APPROVED BY: JM

CHECKED BY: BH

DRAWN BY: RK

WE CAN ASSUME NO RESPONSIBILITY FOR USE OF SUPERSEDED OR VOID DATA

DIMENSIONS ARE SUBJECT TO MANUFACTURERS TOLERANCE AND CHANGE WITHOUT NOTICE

APPROVED BY: JM

CHECKED BY: BH

DRAWN BY: RK

DATE: 2-16-70

SCALE: NONE

SIZE A

DRAWING NUMBER S4031

APPROVED BY: JM

CHECKED BY: BH

DRAWN BY: RK

DATE: 2-16-70

SCALE: NONE

SIZE A

DRAWING NUMBER S4031

APPROVED BY: JM

CHECKED BY: BH

DRAWN BY: RK

DATE: 2-16-70

SCALE: NONE

SIZE A

DRAWING NUMBER S4031

APPROVED BY: JM

CHECKED BY: BH

DRAWN BY: RK

DATE: 2-16-70

SCALE: NONE

SIZE A

DRAWING NUMBER S4031

APPROVED BY: JM

CHECKED BY: BH

DRAWN BY: RK

DATE: 2-16-70

SCALE: NONE

SIZE A

DRAWING NUMBER S4031

APPROVED BY: JM

CHECKED BY: BH

DRAWN BY: RK

DATE: 2-16-70

SCALE: NONE

SIZE A

DRAWING NUMBER S4031

APPROVED BY: JM

CHECKED BY: BH

DRAWN BY: RK

DATE: 2-16-70

SCALE: NONE

SIZE A

DRAWING NUMBER S4031

APPROVED BY: JM

CHECKED BY: BH

DRAWN BY: RK

DATE: 2-16-70

SCALE: NONE

SIZE A

DRAWING NUMBER S4031

REV.	DATE	DESCRIPTION	BY	CKD. BY	WEIGHT POUNDS	VOLUME CUBIC FEET	FIGURE NUMBER 4031 SERIES
R	8-11-23	Removed Function	HS	CL			
Q	3-10-23	Added @ to "Speedi-Set"	KK	CL			
P	7-21-21	Added SS Top Option	KK	CL			
N	11-15-19	Revised Variations	TBW	CL			

REGULARLY FURNISHED:
 Duco Cast Iron Cleanout with Round Adjustable Scoriated Secured Nickel Bronze Top. Closure Plug Type as Indicated By Figure Number Selected.

- VARIATIONS:**
- Flashing Flange -F
 - Flange with Flashing Clamp -F-C
 - Carpet Clamping Type -X
 - Carpet Marker Type -Y
 - Vandal Proof Top -U
 - Wide Flange (DX)

- OPTIONAL MATERIALS:**
- Galvanized Cast Iron -G
 - Polished Bronze Top -PB
 - Stainless Steel Top -NBSS

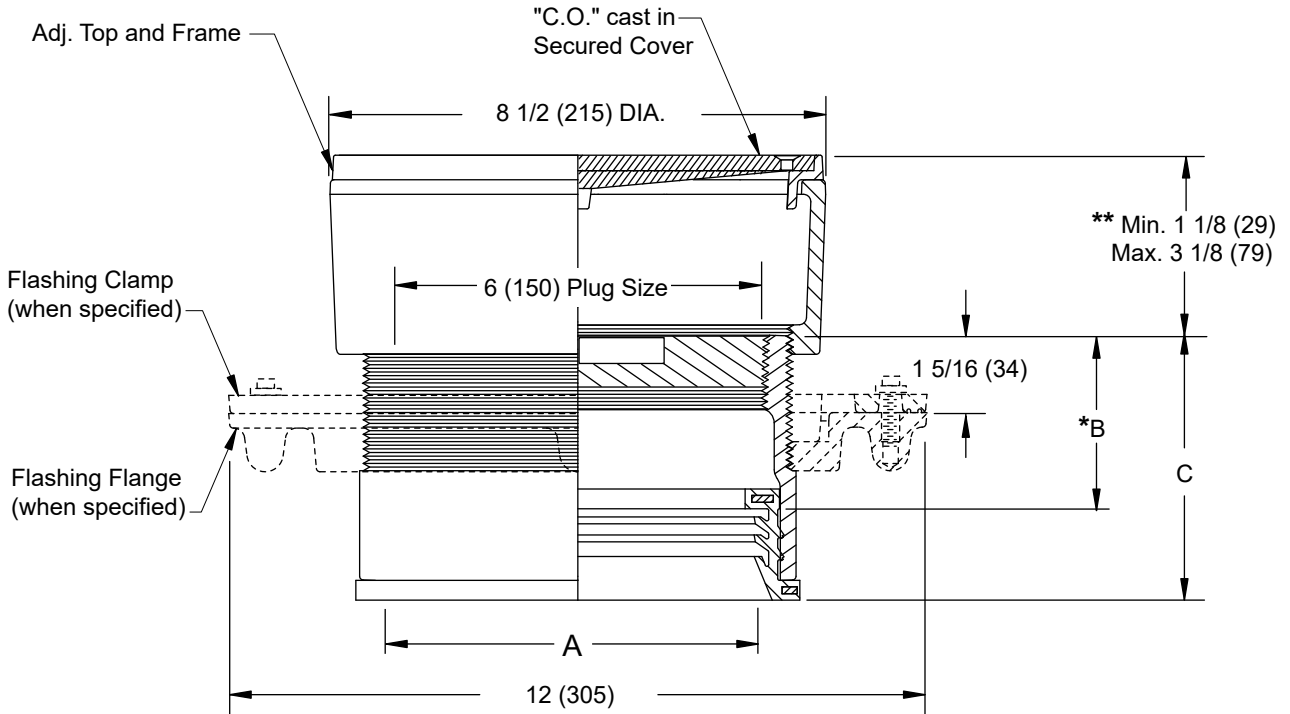
▲ Available in Extra Heavy, Service Weight or NO-HUB.

- Fig. 4031L.....Gasket Seal - ABS Plug
- Fig. 4032L.....Gasket Seal - Bronze Plug
- Fig. 4033L.....Taper Thread - Bronze Plug
- Fig. 4034L.....Taper Thread - ABS Plug

(Twis-to-Floor® design shown with gasketed plug.)
NOTE: Dimensions shown in parentheses are in millimeters.

FINISHED FLOOR CLEANOUTS WITH "TWIS-TO-FLOOR®" ADJUSTABLE TOPS

ROUND NICKEL BRONZE TOP



SPEEDI-SET® OUTLET

"A" (Pipe Size) = 06(150) & 08(200)

A SIZE	B	C
06(150)	*3(76)	4 9/16(117)
08(200)	*3 1/4(83)	4 13/16(121)

▲ SPEEDI-SET® OUTLET

- L Service Weight - For Service Weight and No Hub Cast Iron Pipe (Available for all pipe sizes)
 - LXH Extra Heavy - For Extra Heavy Cast Iron Pipe (Available for all pipe sizes)
 - LXH Extra Heavy - For PVC Pipe (Available for 2", 3", 4", and 8" pipe sizes only)
 - LPVC Plastic Pipe - For PVC or ABS pipe (Available for 6" pipe size only)
- * This Dimension to Internal Stop of Speedi-Set® Gasket.
 ** When Flange-F is specified Min. 1 1/8 (29) becomes 1 5/8 (41)

"TWIS-TO-FLOOR®" ADJUSTMENT

SPEEDI-SET® OUTLET ▲

Fig. 4033L.....Taper Thread - Bronze Plug

REGULARLY FURNISHED:

Duco Cast Iron Cleanout with Taper Thread Bronze Plug and Round Adjustable Scoriated Secured Nickel Bronze Top.

VARIATIONS:

- Flashing Flange -F
- Flange with Flashing Clamp -F-C
- Carpet Clamping Type -X
- Carpet Marker Type -Y
- Vandal Proof Top -U
- Wide Flange (DX)

OPTIONAL MATERIALS:

- Galvanized Cast Iron -G
- Polished Bronze Top -PB
- Stainless Steel Top -NBSS

NOTE: Dimensions shown in parentheses are in millimeters.

DRAWING NUMBER S4031BS

SIZE A

SCALE: NONE

DATE: 5-5-06

APPROVED BY: CEL

CHECKED BY: CL

DRAWN BY: RN

4033

FIGURE NUMBER

WE CAN ASSUME NO RESPONSIBILITY FOR USE OF SUPERSEDED OR VOID DATA

REV.	DATE	DESCRIPTION	BY	CKD. BY
C	8-11-23	Removed Function	HS	CL
B	3-10-23	Added @ to Speedi-Set/Rev. Opt. Mat.	KK	CL
A	10-9-2020	Rev./Added New ▲ Note	MW	CR

WEIGHT POUNDS	VOLUME CUBIC FEET
---------------	-------------------

FIGURE NUMBER
4033