

Catalog Number	
Notes	Type

FEATURES & SPECIFICATIONS

INTENDED USE

The OnePass Splitter Splice (OSS), Switching Tee (OST), and the Selector Unit (OSU) are male/female devices that can be used in multiple ways for power and lighting applications. The OSS connects to other One Pass system devices and splits the branch circuit wiring into two directions. The OST is located above the primary switch locations and introduces local switching and unswitched power to be used as needed for subsequent fixtures. The OSU provides wiring to fixtures and power devices through a 1/2" trade size knockout.

ELECTRICAL

- Rated for use on 20-amp branch circuits.
- Color-coded labels for quick voltage identification.
- All conductors are 12 AWG copper with -20°C to +90°C thermoplastic insulation rated 600V.
- All components provide a fully rated No. 12 AWG grounding conductor.
- C12S option includes three 12 AWG conductors and 18 AWG shielded pair for controls wiring. (-20°C to +90°C)
- Safety-keying prevents accidental mating of components with different voltages.

SYSTEM FEATURES

- EXT option enables OSS's to be installed in hot and cold applications (-40° to +90°C).
- Type of insulation for EXT option is based on NEC Table 310.104(A).
- Dust Cover available for unused ports: RDC3 METAL DUST COVER CSA/UL J50 (available job pack of 50 only)
- Plenum rated low voltage cable (LVC option).

CONTROLS-ENABLED WIRING OPTIONS

- 0-24V integrated single-circuit or 0-10V low voltage controls applications: select C12S option.
- 0-24V multi-circuit dimming or 0-10V low voltage controls applications: select LVC option.

LISTINGS

- C-UL-US listed for indoor, dry, and accessible locations.
- Meets or exceed all the requirements of UL183 and NEC (NFPA70) Article 604 for manufactured wiring systems
- C12S option meets NEC requirements for separation of Class 2 and Class 3 circuits from Class 1 circuits by a barrier as defined by Article 725.136(B).
- Meets NEC requirements for redundant ground paths for patient care areas in healthcare facilities. (HCF option).

BUY AMERICAN ACT

This product is assembled in the USA and meets the Buy America(n) government procurement requirements under FAR, DFARS and DOT regulations.

Please refer to www.acuitybrands.com/resources/buy-american for additional information.

WARRANTY

5-year limited warranty. Complete warranty terms located at:

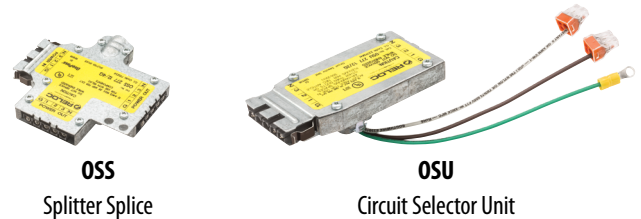
www.acuitybrands.com/support/warranty/terms-and-conditions

Note: Actual performance may differ as a result of end-user environment and application.

Specifications subject to change without notice.

OnePass® System Devices

OSS, OSU, OST

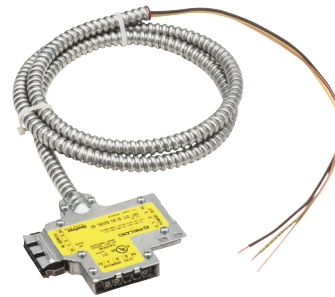


OSS

Splitter Splice

OSU

Circuit Selector Unit



OST

Switching Tee



ORDERING INFORMATION

For shortest lead times configure product using **bolded options**.

Example: OSS 277 12/4G

Series	Voltage ¹	Conductors	Controls Wiring	Options
OSS	120 120V	12/2G Three 12 AWG conductors, including one 12 AWG ground ²	(blank) Not required C12S Integrated CI, CII rated line voltage and signal wires ² LVC 3 position connector system for low voltage wiring ⁴	2N Two circuit, two neutral ⁵ EXT Extreme temperature rating conductors ⁶ IGW Isolated ground wire ⁷
	208 208V			
	240 240V	12/3G Four 12 AWG conductors, including one 12 AWG ground		
	277 277V			
	347 347V			
480 480V	12/4G Five 12 AWG conductors, including one 12 AWG ground ³			

Notes

1. 208, 240, 480 voltages not available with 2N option.
2. 12/2G available with C12S only.
3. 12/4G conductors are standard and should be used when options C12S and EXT are not required.
4. See spec sheet [LVC](#) for details.
5. 2N only available with 12/4G. Only available with 120, 277, 347 voltages.
6. EXT available with 12/3G only.
7. IGW available with 12/4G conductor and 120V only.

ORDERING INFORMATION

For shortest lead times configure product using **bolded options**.

Example: OSU 120 12/4G

Series	Voltage	Conductors	Controls Wiring	Options	Connector Type
OSU	120 120V	12/4G Five 12 AWG conductors, including one 12 AWG ground	(blank) Not required C12S Integrated CI, CII rated line voltage and signal wires ¹	(blank) Not required	(blank) Not required RRL RELOC®-ready luminaires ⁴
	208 208V			2N Two circuit, two neutral ²	
	240 240V	18/2G Three 18 AWG conductors, including 18 AWG ground ¹		IGW Isolated ground wire ³	
	277 277V				
	347 347V	18/4G Five 18 AWG conductors, including 18 AWG ground			
480 480V					

Notes

1. 18/2G available with C12S only.
2. 2N available with 12/4G & 18/4G only.
3. IGW available only with 12/4G conductor and 120V.
4. If RRL selected, fixture must have RRL and wiring instruction. See fixture spec sheet for details. See [RRL](#) spec sheet for connector details.

ORDERING INFORMATION

For shortest lead times configure product using **bolded options**.

Example: OST 277 1LEVEL 09

Series	Voltage	Drop Type	Length	Controls Wiring	Options
OST	120 120V	1LEVEL Two 12 AWG conductors, plus 12 AWG ground	1 ft up to 50 ft	(blank) Not required C12S Integrated CI, CII rated line voltage and signal wires ¹	(blank) Not required
	277 277V				N One neutral wire provided in drop
	347 347V	2LEVEL Four 12 AWG conductors, plus 12 AWG ground			HCF Meets healthcare facility requirements ²

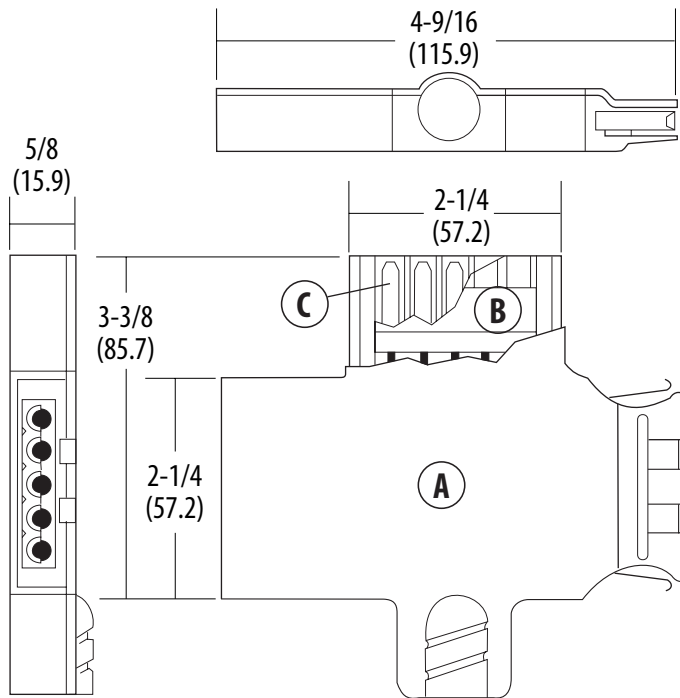
Notes

1. C12S available with 1LEVEL only.
2. HCF available with 2LEVEL drop type only. HCF not available with controls wiring options C12S.

OSS – Splitter Splice

DIMENSIONS

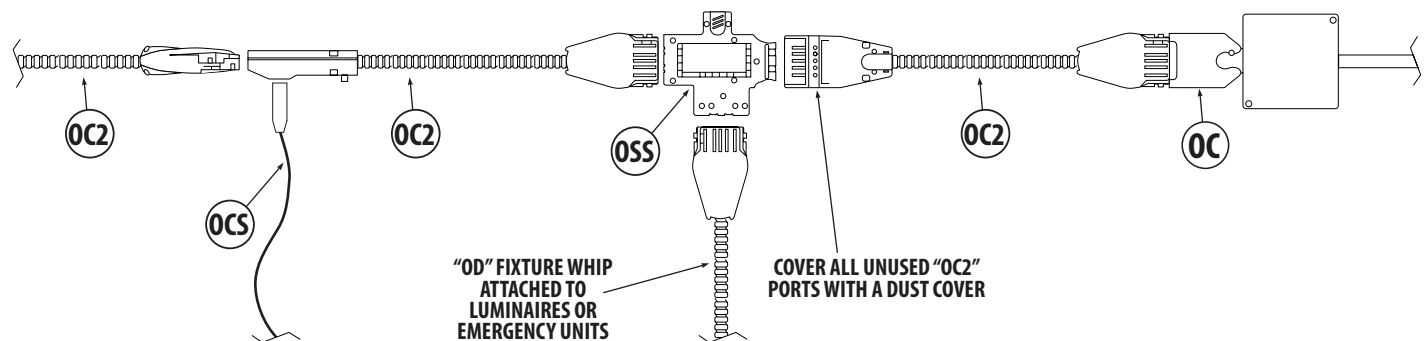
Dimensions are shown in inches (millimeters)



- A – 18-gauge galvanized steel cover, zinc alloyed casting
- B – Connector body
- C – Tin-plated brass contacts

SYSTEM VIEW

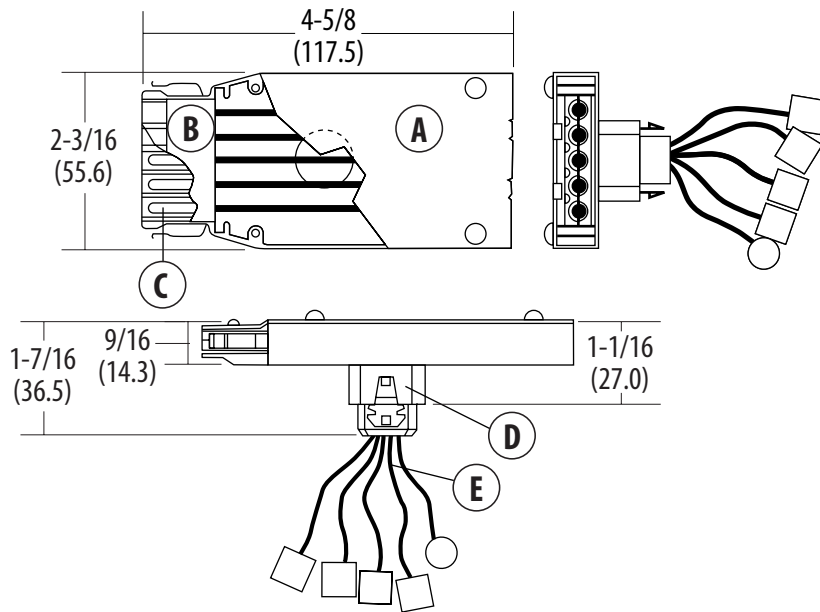
System View designs are for illustrative purposes only.



OSU – Selector Unit

DIMENSIONS

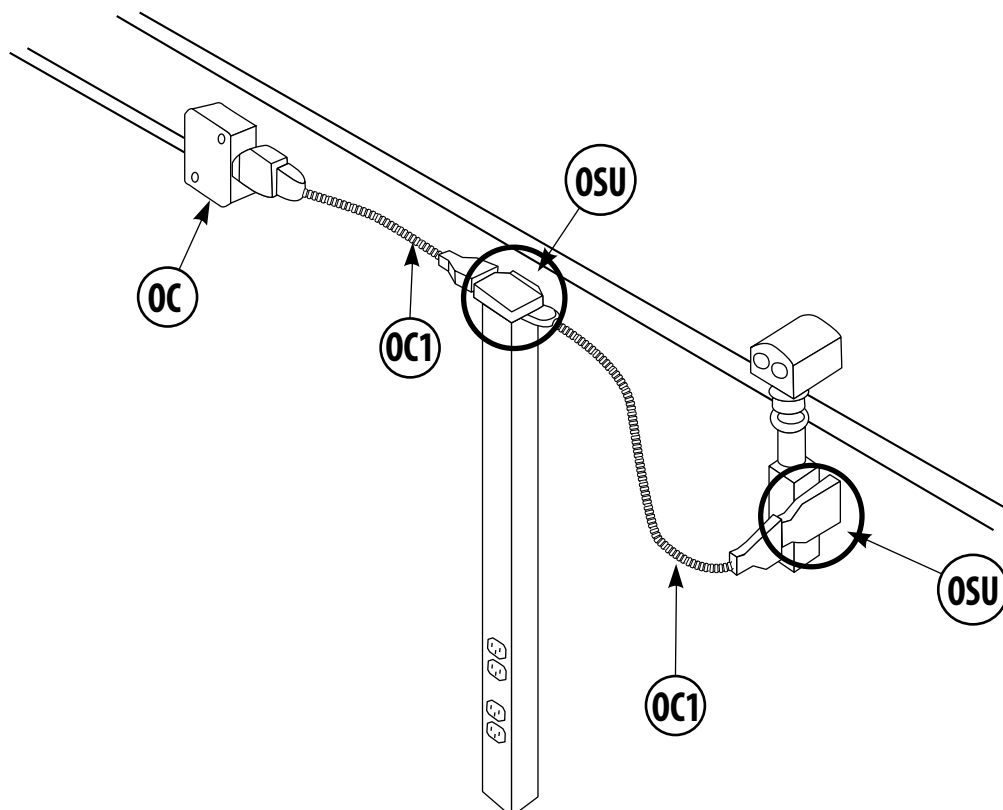
Dimensions are shown in inches (millimeters)



- A – 18-gauge, zinc-plated, CRS cover
- B – UL-recognized connector body
- C – Tin-plated, brass contacts
- D – .015" spring steel latches
- E – No. 12 AWG and 18 AWG copper wires with 600V, 90°C thermoplastic insulation

SYSTEM VIEW

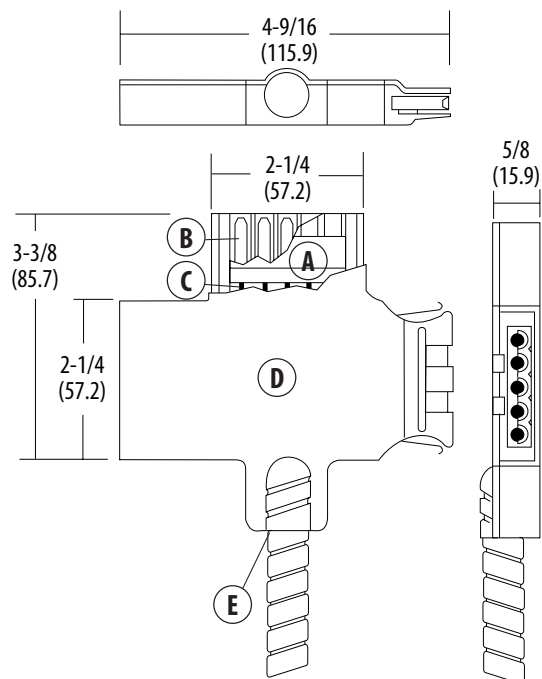
System View designs are for illustrative purposes only.



OST – Switching Tee

DIMENSIONS

Dimensions are shown in inches (millimeters)



- A – UL recognized connector body
- B – Tin-plated brass contacts
- C – No. 12 AWG wire rated at 600V, 90°C
- D – Die-cast zinc with zinc-plated CRS cover
- E – FMC standard. HCF MC and C12S MC optional

NOTES

- Rated for 20-amp capacity.

SYSTEM VIEW

System View designs are for illustrative purposes only.

