

AXOR ShowerSolutions
Tube Spout Trim 10" x 5"
 Finishes : **chrome** Part no. : **10942001**



Description

Features

- Flow: 5.5 GPM (21 L/min)
- Solid brass

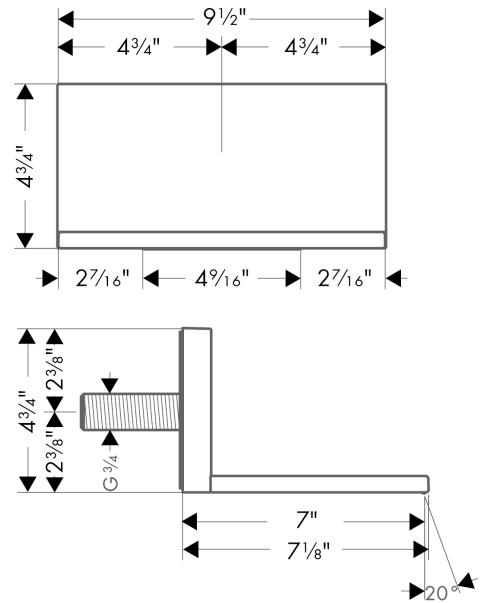
Technology



Product image



Scale drawing

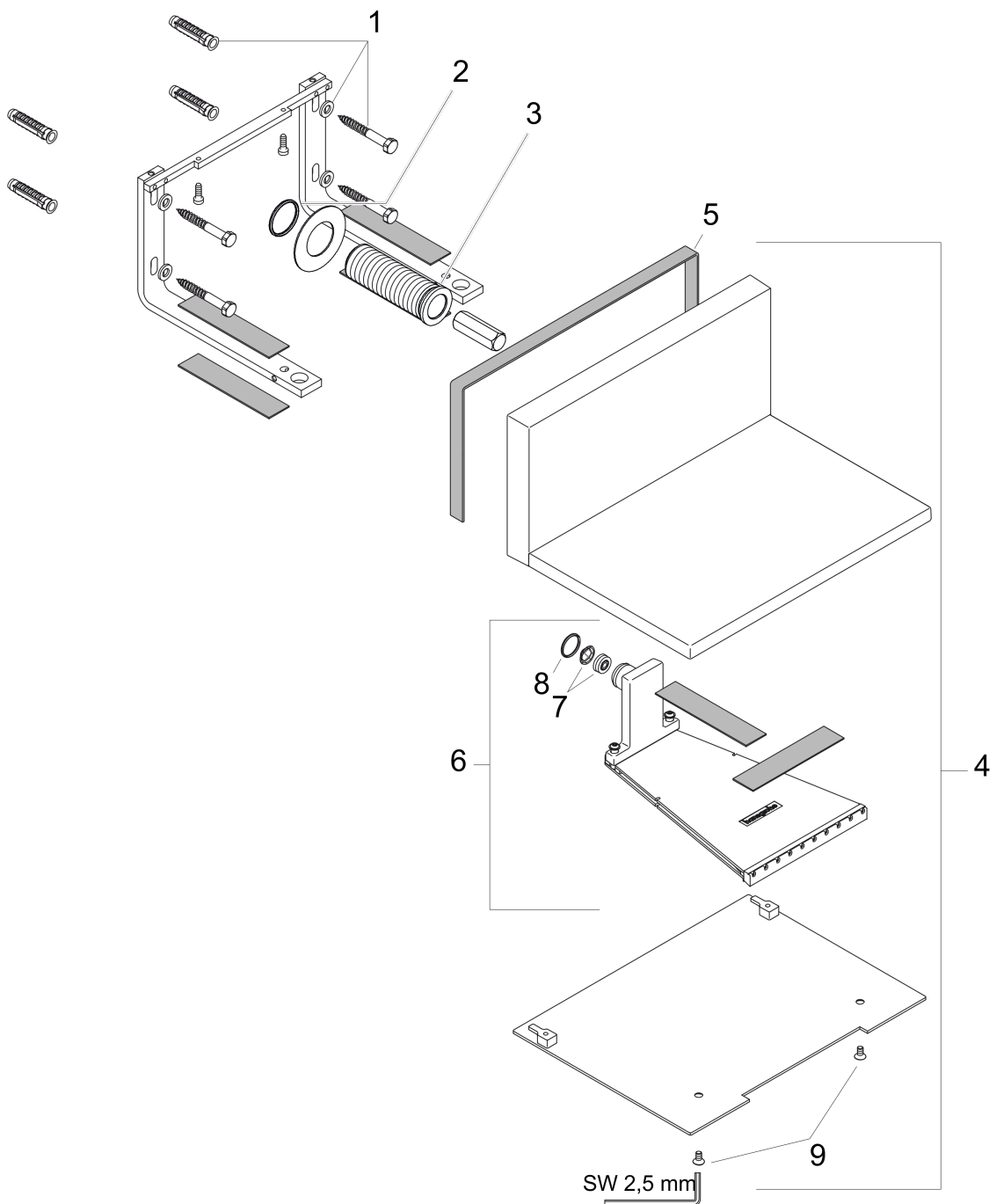


AXOR ShowerSolutions
Tub Spout Trim 10" x 5"
Finishes : **chrome** Part no. : **10942001**



Exploded drawing

Year of production: >12/11



AXOR ShowerSolutions
Tub Spout Trim 10" x 5"
 Finishes : **chrome** Part no. : **10942001**



Spare parts list

Year of production: >12/11

Pos.	Description	Part no.	PC	PU
1	mounting kit	95430000	0	1
2	O-ring 24x2	98388000	0	1
3	connecting thread G $\frac{3}{4}$	95886000	0	1
4	spout cpl.	95882000	0	1
5	seal	95885000	0	1
6	spray former	95883000	0	1
7	flow limiter (22 l/min)	95884000	0	1
8	O-ring 15x1,5	92118000	0	1
9	set of screws	92834000	0	1