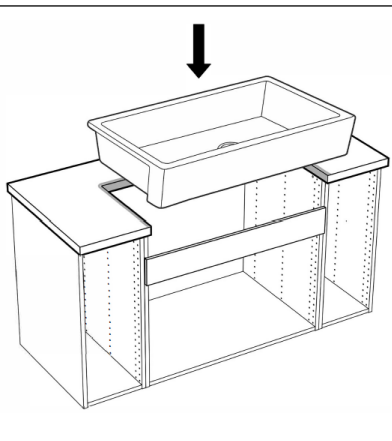


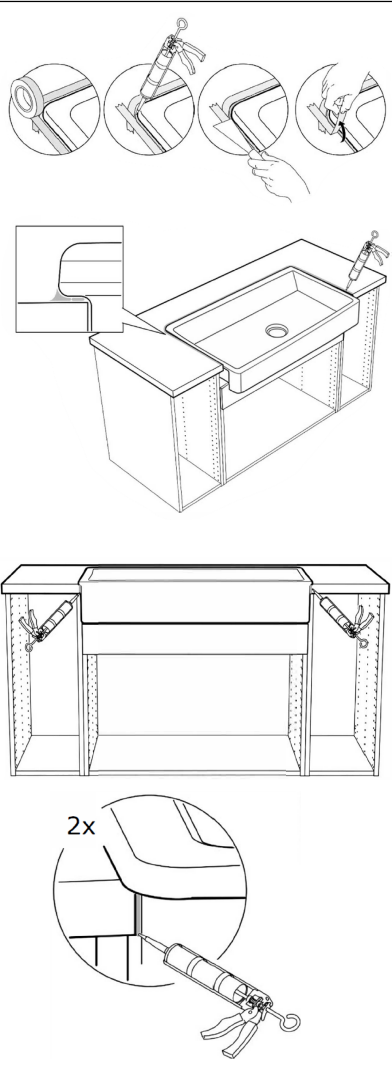
6



6. With 2 people using caution, carefully top mount the sink into pre-cut countertop.

IMPORTANT: Take care when handling ceramic sinks as they are very heavy.

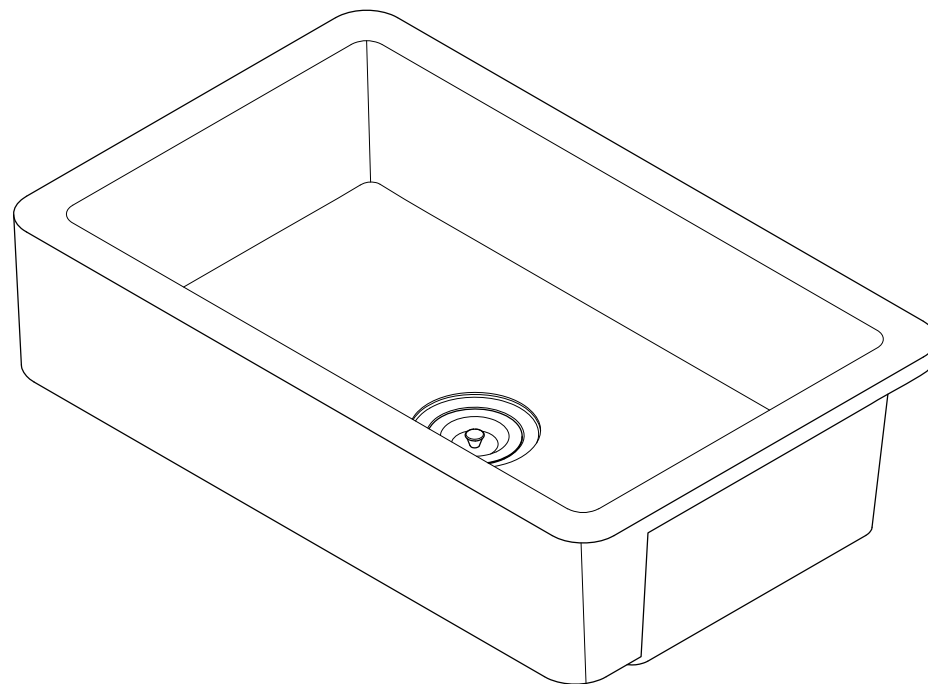
7



7. Apply additional silicone to seal up all edges around the sink.

GOURMETIER™

KINGSTON CREATION



www.kingstonbrass.com
 TOLL-FREE CUSTOMER SERVICE: 1-877-2-KBRASS
 TECHNICAL SUPPORT E-mail: service@kingstonbrass.com
 12775 Reservoir Street, Chino, CA 91710

NOTICE

Failure to follow all directions may cause leaks which may result in water damage



WARNING

Lifting hazard.

Single person lift could cause injury. Use assistance when moving or lifting.

GOURMETIER™

KINGSTON CREATION

INSTALLATION INSTRUCTIONS

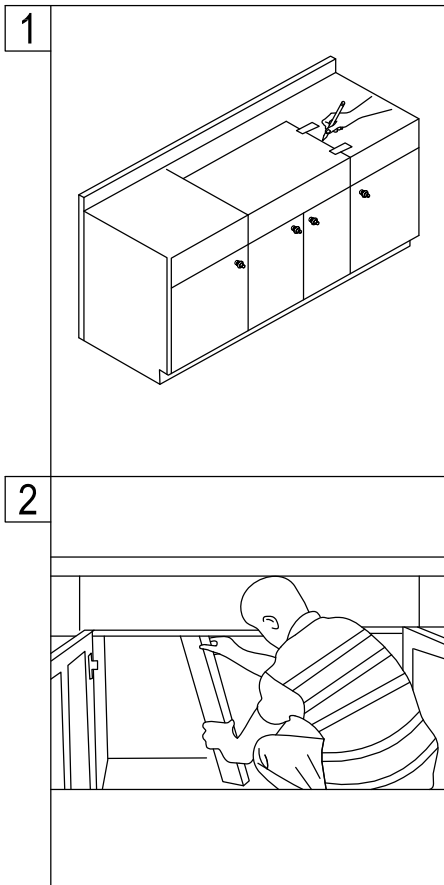
FARMHOUSE SINK

This sink is designed to be installed as a drop-in on a cabinet, please follow the directions accordingly.

Before Installation:

- Follow all local building codes.
- Open box and make sure that all the components are complete.

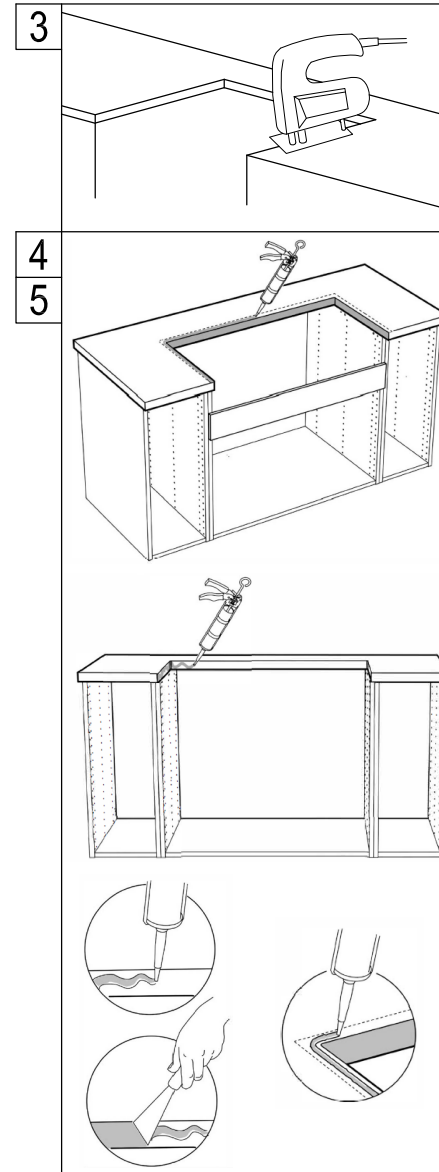
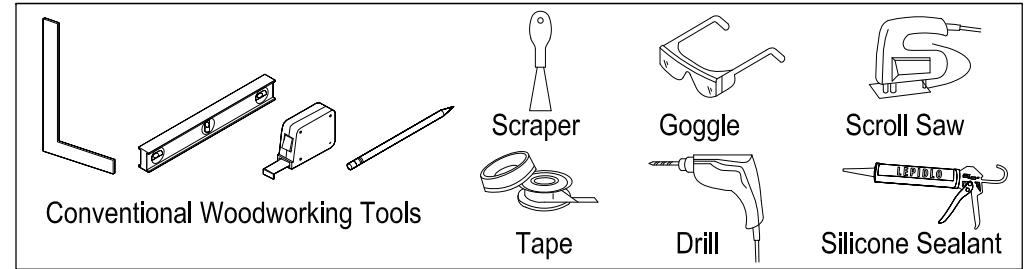
Installation Step:



1. Cut out the template and place it on the countertop, making sure that the sink front is parallel to the front of the counter. Be sure the sink is properly centered, both front to back and side to side. Check for adequate clearance relative to cabinet walls and pull-out or tilt-down drawers. Tape the template in place. Trace around the template.

2. Install 2" x 4" supports across the base cabinet, the sink should be able to sit on top of the supports and its top rim should rest on top of the countertop cutout.

Need Tools:



3. Cut the countertop along the template line and add 1/8" to the height of the sink and cut front of the cabinet using that dimension with the proper tool for the countertop material, sink should be supported by the 2" x 4" supports not the cabinet front, depending on the configuration of your base cabinet, it may be necessary to remove the doors and replace them with smaller doors.
4. Install the sink in the opening, check that the sink is level from side to side and front to back, add wood shims if necessary, once sink has been leveled, fill the gaps using silicone caulking.
5. Apply silicone to all edges that sink touches the countertop.

IMPORTANT: To prevent water leaking into the countertop, sink must be installed with all three cut edges sealed with silicone. Silicone is not included.