

## FEATURES & SPECIFICATIONS

### INTENDED USE

Ideal for applications where steel housing or metal lamp heads are a requirement.

### CONSTRUCTION

18-gauge steel housing finished in instrument tan color.

Hinged faceplate for easy maintenance.

### OPTICS

Two glass sealed-beam lamps in thermoplastic housings, available in incandescent and halogen lamp types.

### ELECTRICAL

Dual-voltage input capability (120 or 277 volts)

Battery: Batteries are sealed, maintenance-free, lead-acid (SLA) with wattage capacities of 125, 180 or 275 watts for 90 minutes of emergency operation.

Low-voltage disconnect prevents excessively deep discharge that can permanently damage the battery.

AC/LVD reset allows battery connection before AC power is applied and prevents battery damage from deep discharge.

Current limiting charger maximizes battery life and minimizes energy consumption.

Thermal protection senses circuitry temperature and adjust charge current to prevent overheating and charger failure.

Thermal compensation adjusts charger output to provide optimum charge voltage relative to ambient temperature.

### LISTINGS

UL listed. Meets UL 924, NFPA 101 (current Life Safety Code), NEC and OSHA illumination standards.

**BUY AMERICAN ACT** — Product with the BAA option is assembled in the USA and meets the Buy America(n) government procurement requirements under FAR, DFARS and DOT regulations.

Please refer to [www.acuitybrands.com/buy-american](http://www.acuitybrands.com/buy-american) for additional information.

**WARRANTY** — 3-year limited warranty. Complete warranty terms located at:

[www.acuitybrands.com/support/warranty/terms-and-conditions](http://www.acuitybrands.com/support/warranty/terms-and-conditions)

**Note:** Actual performance may differ as a result of end-user environment and application. Specifications subject to change without notice.

|                |
|----------------|
| Catalog Number |
| Notes          |
| Type           |

# TITAN®

Industrial Steel Emergency Lighting

## ELT125, ELT180, ELT275



Standard Lead-Acid (SLA) Battery

**BAA**

### ORDERING INFORMATION

For shortest lead times, configure product using standard options (**shown in bold**).

**Example:** ELT125 N2512

| Series                 | Input voltage            | Housing color                 | Lamp heads               | Lamp type                          | Options                          |
|------------------------|--------------------------|-------------------------------|--------------------------|------------------------------------|----------------------------------|
| <b>ELT125</b> 125W/12V | <b>(blank)</b> 120V/277V | <b>(blank)</b> Instrument tan | <b>(blank)</b> Two heads | <u>PAR36 sealed-beam</u>           | AM Ammeter <sup>2</sup>          |
| ELT180 180W/12V        |                          | W White                       | RO Less lamp heads       | H 8W/12V halogen                   | VM Voltmeter <sup>2</sup>        |
| <b>ELT275</b> 275W/12V |                          |                               | MT Metal lamp heads      | N2512 25W/12V incandescent         | LD Load disconnect switch        |
|                        |                          |                               |                          | H1212 12W/12V halogen              | TD Integral time delay           |
|                        |                          |                               |                          | H5012 50W/12V halogen <sup>1</sup> | NOM NOM Certified                |
|                        |                          |                               |                          |                                    | BAA Buy America(n) Act Compliant |

**Accessories:** Order as separate catalog number.

|         |                             |
|---------|-----------------------------|
| ELA MST | Mounting shelf <sup>3</sup> |
|---------|-----------------------------|

### NOTES:

- 1 Must be ordered with the MT lamp head.
- 2 AM and VM must be ordered together.
- 3 See spec sheet [ELA-RTL-P-MS](#).

# ELT125/ELT180/ELT275 Industrial Steel Emergency Lighting

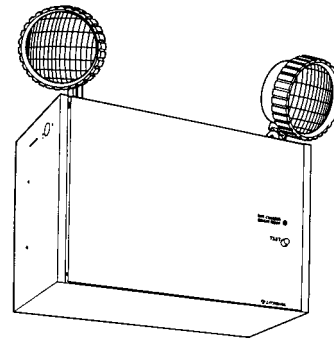
## SPECIFICATIONS

| ELECTRICAL<br>Primary Circuit |          |      |       |              |                           |        |        |        |
|-------------------------------|----------|------|-------|--------------|---------------------------|--------|--------|--------|
| Type                          | AC Input |      |       | Output Volts | Watts Output <sup>1</sup> |        |        |        |
|                               | Volts    | Amps | Watts |              | 1-1/2 hrs.                | 2 hrs. | 3 hrs. | 4 hrs. |
| ELT125                        | 120      | .250 | 30    | 12           | 125                       | 93     | 67     | 46     |
|                               | 277      | .108 | 30    |              |                           |        |        |        |
| ELT180                        | 120      | .287 | 50    | 12           | 180                       | 135    | 90     | 67     |
|                               | 277      | .125 | 50    |              |                           |        |        |        |
| ELT275                        | 120      | .287 | 50    | 12           | 275                       | 206    | 137    | 103    |
|                               | 277      | .125 | 50    |              |                           |        |        |        |

| BATTERY<br>Sealed Lead-acid (SLA) |         |                                 |                           |                          |                                |
|-----------------------------------|---------|---------------------------------|---------------------------|--------------------------|--------------------------------|
|                                   | Voltage | Typical shelf life <sup>2</sup> | Typical life <sup>2</sup> | Maintenance <sup>3</sup> | Temperature range <sup>4</sup> |
| ELT125<br>ELT180<br>ELT275        | 12      | 12 mos.                         | 4-5 yrs.                  | none                     | 60°-90°F                       |

### NOTES

- 1 Watts to 87.5% of nominal voltage.
- 2 At 77°F (25°C).
- 3 All life safety equipment, including emergency lighting for path of egress must be maintained, serviced, and tested in accordance with all National Fire Protection Association (NFPA) and local codes. Failure to perform the required maintenance, service, or testing could jeopardize the safety of occupants and will void all warranties.
- 4 Temperature range where unit will provide rated capacity for 90 minutes. Higher and lower temperatures affect life and capacity.



## MOUNTING

All dimensions are inches (centimeters).

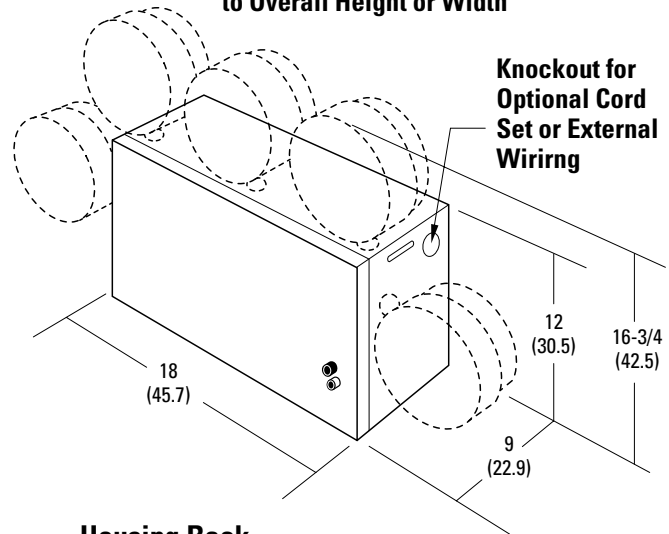
Shipping weight:

ELT125 - 43.5 lbs. (19.7 kgs.)

ELT180 - 58.5 lbs. (26.5 kgs.)

ELT275 - 61.5 lbs. (27.9 kgs.)

**Lead Heads Adds 6-1/8 (15.5)  
to Overall Height or Width**



## Housing Back

