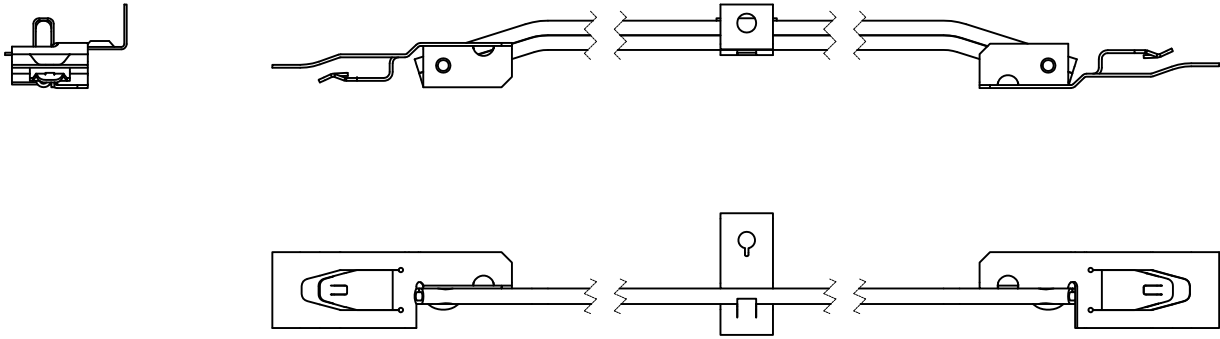
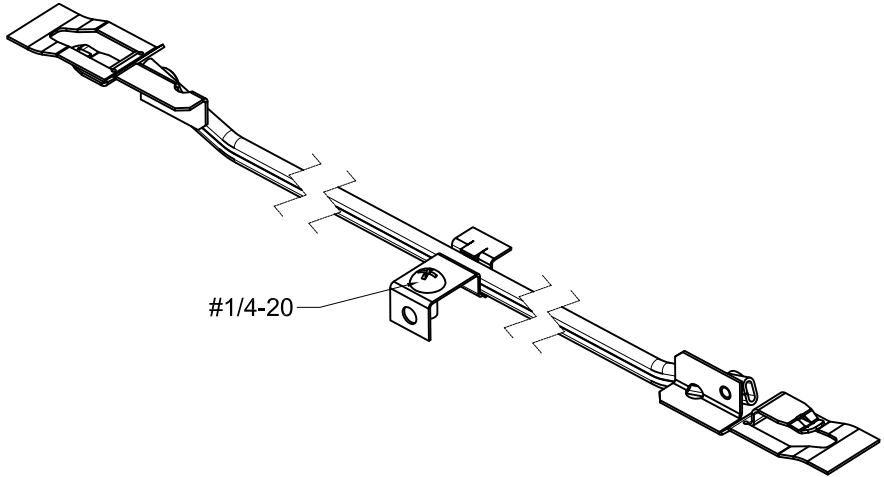
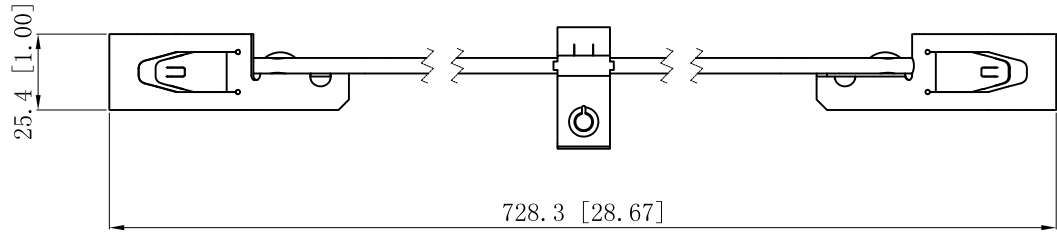


SIDES	BOTTOM
1 PCS 1/4-20×3/8 Screws Installed	
Material:Steel-G60 Galvanized	



This data sheet is for reference only .GARVIN INDUSTRIES reserves the right to make changes to the design without prior notice.

DESCRIPTION
TRADE REFERENCE TERMS

STANDARD PACKING
50 PCS

TITLE			REV C
GARVIN INDUSTRIES			
FIXED LENGTH BOX BAR HANGERS			BHT1
SIZE A4	DWG NO.	DATA SHEET	