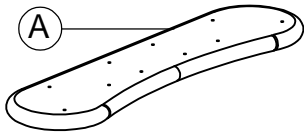


# SVEN CONSOLE TABLE ASSEMBLY INSTRUCTIONS

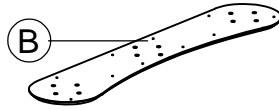


## PARTS PACKING CONFIGURATIONS

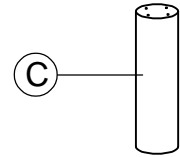
BOX #1  
A. TABLE TOP 1PC



B.CONNECTING PLATE 1PC



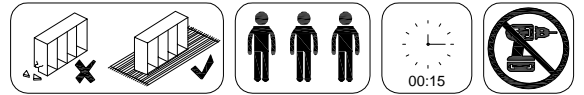
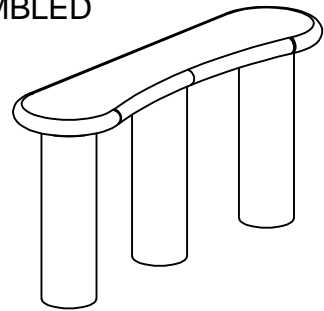
BOX #2  
C. LEG 3PCS



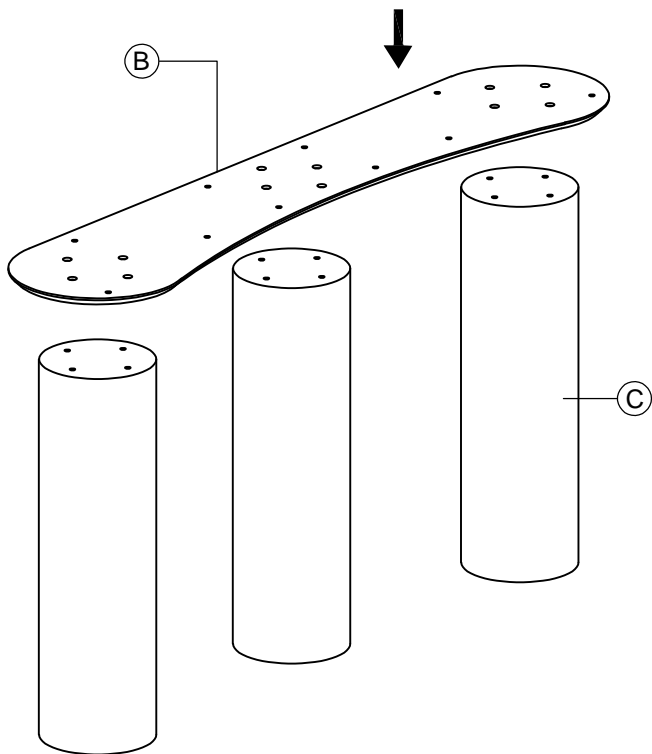
### HARDWARE KIT PACKED IN BOX #2

NO.	DESCRIPTION	IMAGE	QTY
1	ALLEN BOLT (M8x30mm)		22 PCS
2	ALLEN KEY(M5)		1 PC

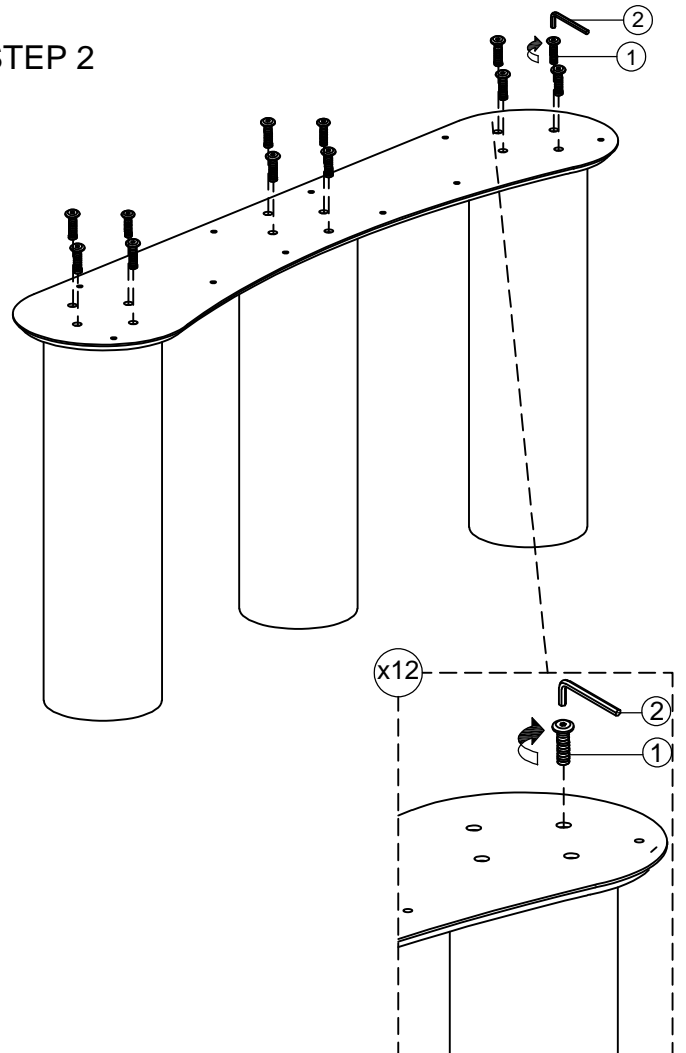
### FULLY ASSEMBLED



### STEP 1



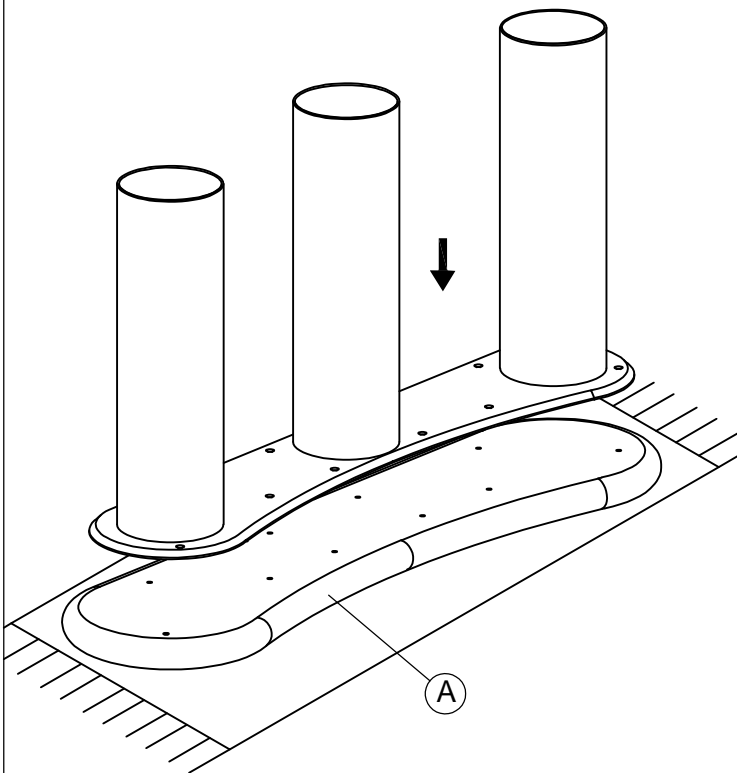
### STEP 2



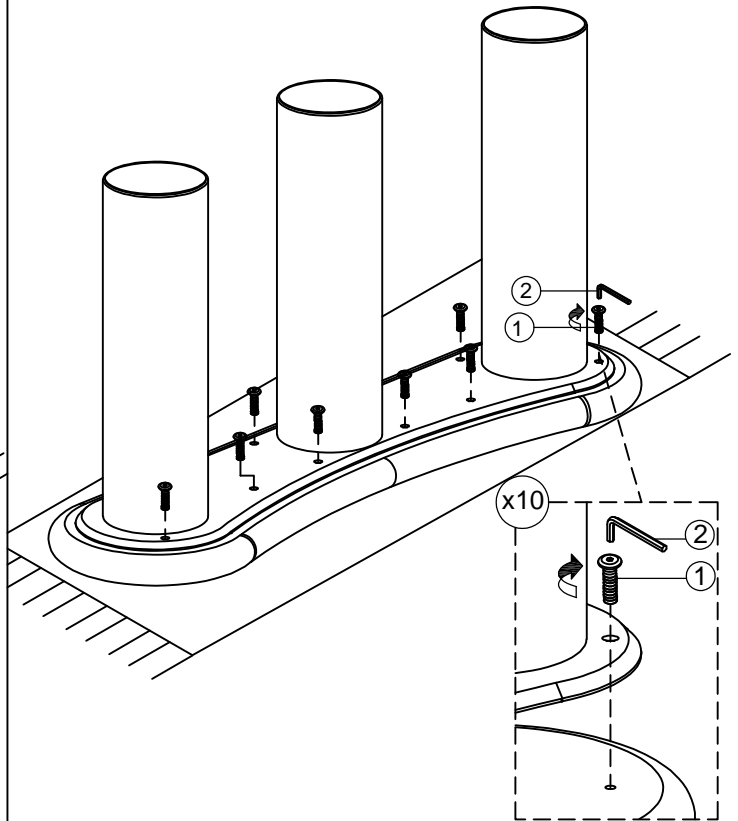
# SVEN CONSOLE TABLE ASSEMBLY INSTRUCTIONS



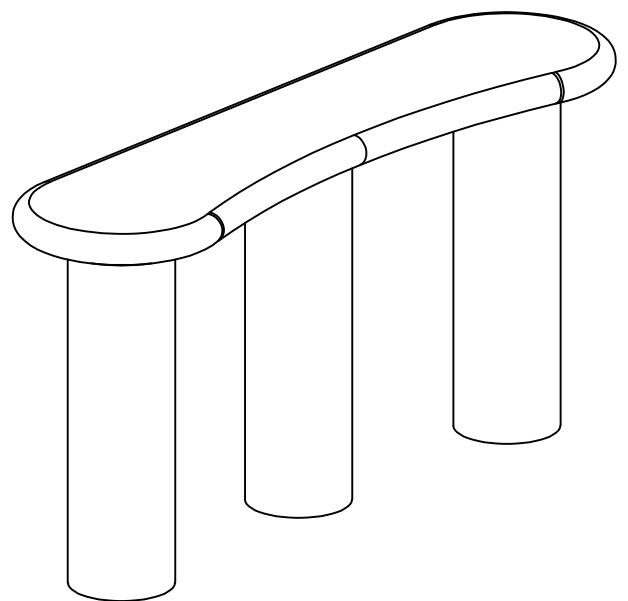
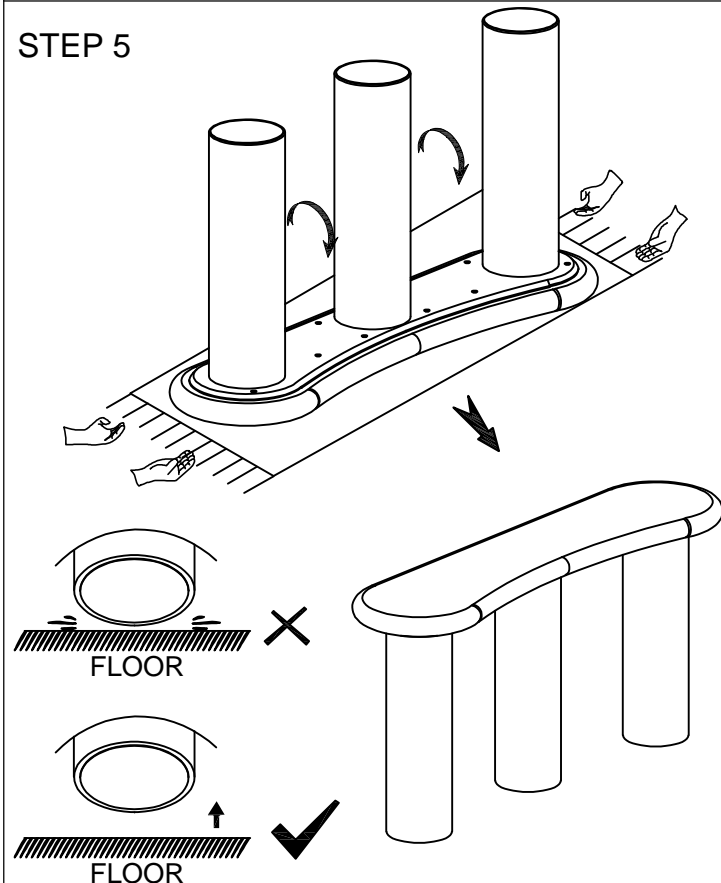
## STEP 3



## STEP 4



## STEP 5



ASSEMBLY COMPLETE