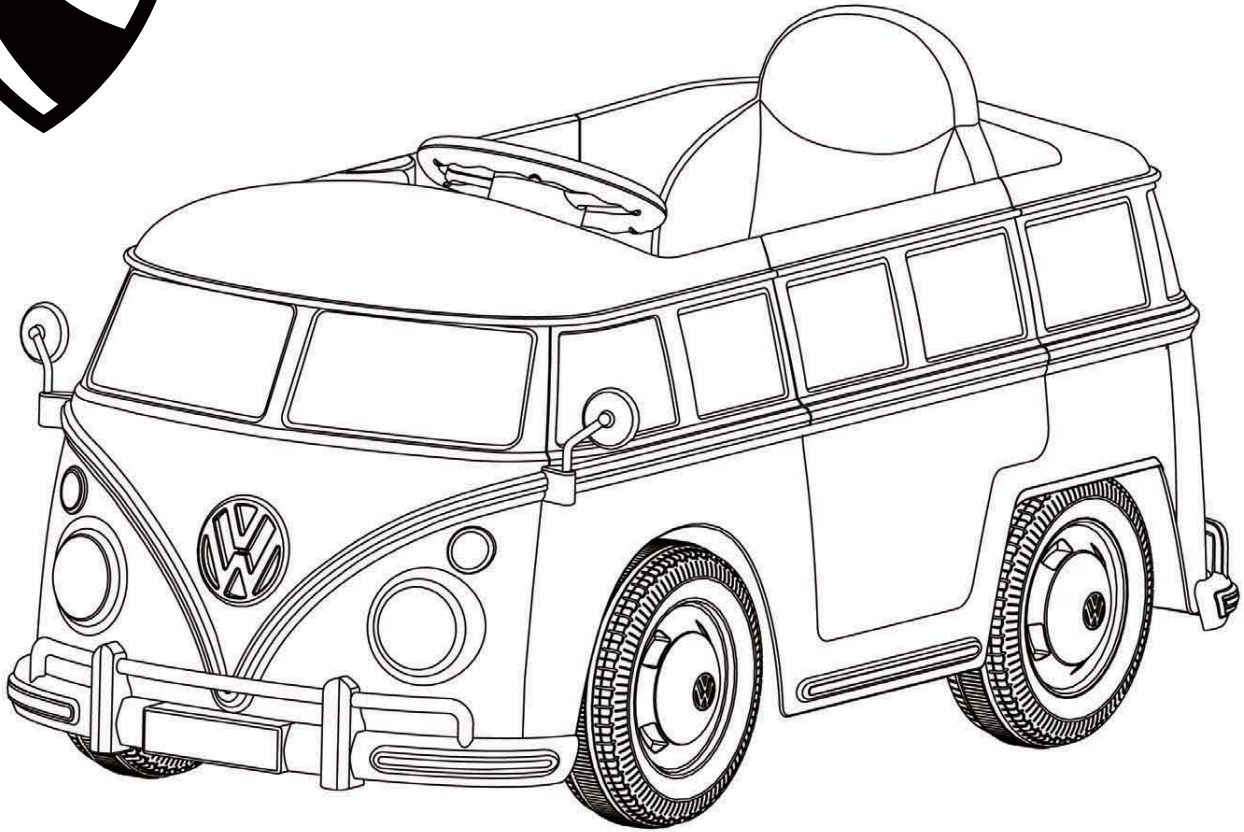




Volkswagen type 2 (T1)



Owner's Manual and Assembly Instructions

Model #: W487AC-R, W487AC-B, W487AC-ROB, W487AC-BOB, W487AC

Read and understand the entire manual before assembly and operation. The vehicle must be assembled by an adult who has read and understands the instructions.

Made in China.

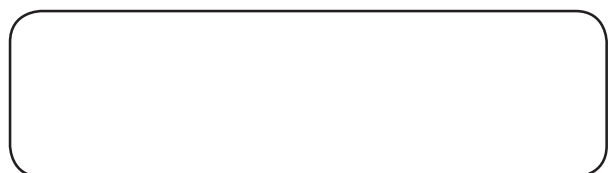
Styles and colors may vary. Do not return to store. Call 1-888-982-9309 for assistance and replacement parts.

IMPORTANT:

Save this manual with your sales receipt.



Escanee
aquí para ver
el video de
ensamblaje.



Introduction

Thank you for purchasing this RollPlay vehicle from Rollplay. We hope the rider enjoys it for miles to come. Please read this instruction guide carefully before assembling and operating the vehicle. Please have your model number and serial number ready before calling. Please have proof of purchase. Keep your sales receipt or register your product at www.rollplay.com.

Please contact Rollplay Customer Service with any questions.

Hours: 9 AM - 5 PM (CST), Monday - Friday

Phone: 1-888-982-9309

Email: customerservice@rollplay.com

Web: www.rollplay.com

Specifications:

BATTERY	6V 7AH
MOTOR	6V 15W
AGE	3 Years and Up
MAX WEIGHT	35 kg (77 lbs)
PRODUCT SIZE	107 x 54 x 55 cm (42.2 x 21.2 x 21.6 in)
SPEED	4 km/h (2.5 MPH)
RECHARGE TIME	8-12 Hours
TYPICAL RUN TIME	1-2 Hours
CHARGER OUTPUT	DC 7.0V

The Volkswagen type 2 (T1) is officially licensed by Volkswagen. Manufactured and distributed by or for Paragon Child Products Co., Ltd. (Goodbaby Group). Trademark "VW-in-circle logo", associated design patents and copyrights are used with the approval of the owner Volkswagen AG.

IMPORTANT!

YOU MUST CHARGE THE BATTERY FOR 24 HOURS BEFORE FIRST USE!

Charge the battery after each use.

Charge the battery at least once a month, even if the vehicle is not in use.

**DO NOT RETURN THIS ITEM
TO THE STORE!**

Call Customer Service if you need assistance or replacement parts. Please have your model number and serial number ready before calling. Please have proof of purchase. Keep your sales receipt or register your product at www.rollplay.com as we may require proof of purchase.

1-888-982-9309

Read this entire manual to ensure proper assembly and safe operation of the vehicle.

This page is intentionally left blank.

Table of Contents 5

Safety	6
Parts	8
Charging Instructions	9
Assemble the Front Wheels	10
Assemble the Rear Wheels	11
Assemble the Steering Wheel	13
Attach the Mirrors	14
Attach the Seat	15
Operation Instructions	16
Battery Removal	17
Maintenance	18
General Care	19
Troubleshooting Guide	20
FCC Information	22
Service and Repairs	23
Warranty	24
Product Registration	26

6 Safety



WARNING: SAFETY RIDING RULES

The user must follow all safety rules and guidelines, or serious injury or death may occur to the user.

- Always use common sense and safe practices when using the vehicle. The user must be at least 3 years old and weigh no more than 35 kg (77 lbs).
- This product contains small parts that are for adult assembly only. Keep small children away when assembling. Remove and dispose of all protective material and plastic bags before assembly.
- Riders must always wear a fitted helmet that complies with U.S. Consumer Product Safety Commission (CPSC) Standard 16CFR 1203.
- Only sit on the seat in the vehicle.
- Do not allow more than one rider.
- Do not overload the vehicle. Do not remove the weight restriction decals.
- Do not pull the vehicle with another vehicle or similar device.
- Keep body parts such as hands, legs, hair and clothing away from moving parts. Moving parts can cause serious injury.
- Always wear shoes in the vehicle.
- Do not operate near streets or motor vehicles.
- Do not operate near drop-offs such as steps, steep inclines or hills. Operate on relatively level ground.
- Do not operate near water, swimming pools or other fluids.
- Do not operate in dangerous weather conditions such as rain or snow.
- Do not operate near loose dirt, mud, sand or fine gravel.
- Do not operate near flammable vapors (gasoline, paint thinner, acetone, etc.).
- Always use the vehicle in a safe, secure environment with adult supervision.

PREVENT INJURIES AND DEATHS:

NEVER LEAVE CHILD UNATTENDED. ALWAYS keep child in view when child is in vehicle. Direct adult supervision is **REQUIRED**.

NEVER use in roadways, near cars, on or near steep inclines or steps, swimming pools or other bodies of water.

ALWAYS wear shoes

ALWAYS sit on the seat

RISK OF FIRE. Do not bypass.



WARNING: BATTERY SAFETY

- Battery posts, terminals and related accessories contain lead and lead compound (acid) chemicals known to the state of California to cause cancer, reproductive harm, and are toxic and corrosive. DO NOT open the battery.



- Contact exposure to battery leakage (lead acid) may cause serious injury. Immediately contact your doctor if exposure occurs. If the chemical is on the skin, flush immediately with cool water for 15 minutes. If the chemical is swallowed, immediately give the person water or milk. Do not give water or milk if the person is vomiting or has decreased alertness. Do not induce vomiting.



- Tampering with or modifying the electric circuit system may cause shock, fire or explosion. It could permanently damage the system. Keep the charger housing closed to prevent exposed wiring, which may cause electric shock.

IMPORTANT: Before using the vehicle for the first time, the battery must be charged for a full 24 hours (no more than 30 hours).

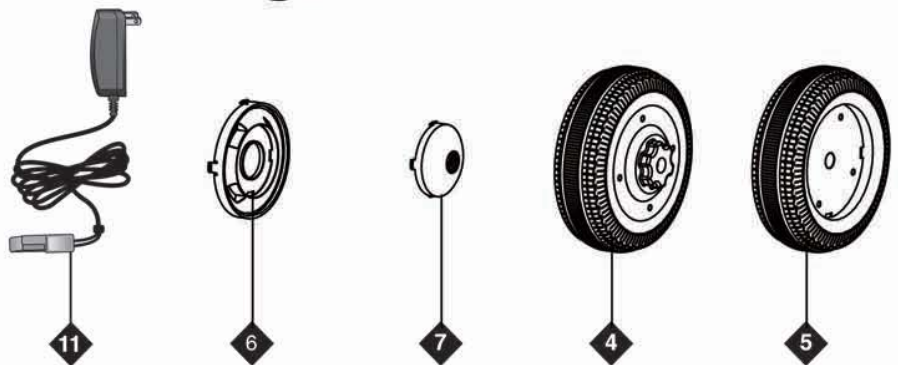


WARNING: ADULT SUPERVISION REQUIRED

- Before using the vehicle, the rider must understand the vehicle controls and safety issues.
- It is the responsibility of the adult to educate the child and to determine if the child is capable of understanding the vehicle controls.
- An adult must ALWAYS directly supervise the use of this vehicle.
- NEVER leave a child unsupervised in the vehicle.

8 Parts

1. Car Body
2. Seat
3. Steering Wheel
4. Rear Wheel (2)
5. Front Wheel (2)
6. Wheel Rim (4)
7. Hubcap (4)
8. Steering Wheel Screw
9. Steering Wheel Nut
10. Mirrors (2)
11. Battery Charger
12. Snap Pin (4)
13. Small Washer (4)
14. Large Washer (3)
15. Inner Wheel Spacer
16. MP3 Cable



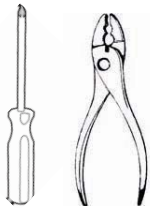
Helpful Tip:

Parts 8-9 and 12-16 are located in the blister pack

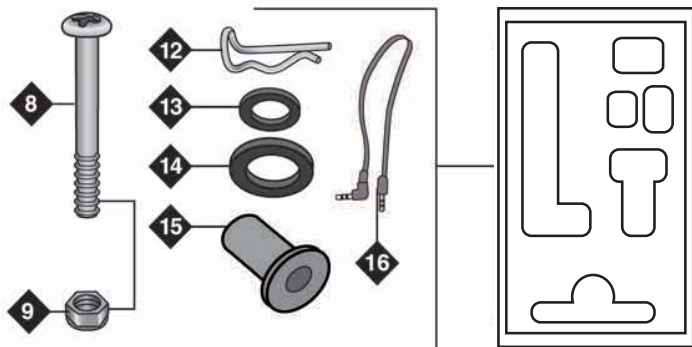
Spare Parts:

- Snap Pin (2)
- Small Washer (1)
- Large Washer (1)

Not Included:



- Phillips screwdriver
- Pliers

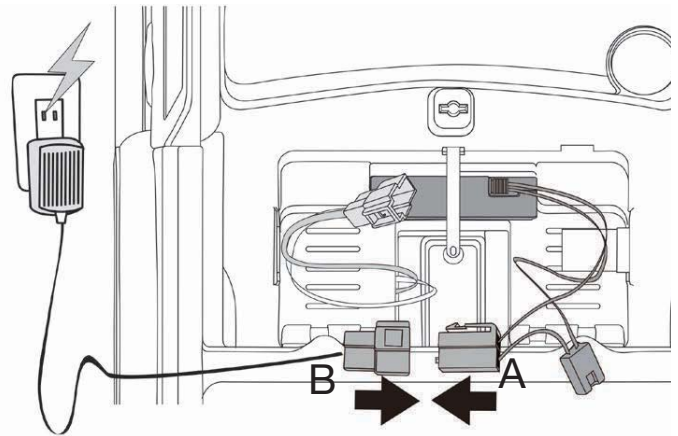


YOU MUST CHARGE THE BATTERY FOR 24 HOURS BEFORE THE FIRST USE!

ONLY AN ADULT SHOULD HANDLE THE BATTERY AND CHARGER.

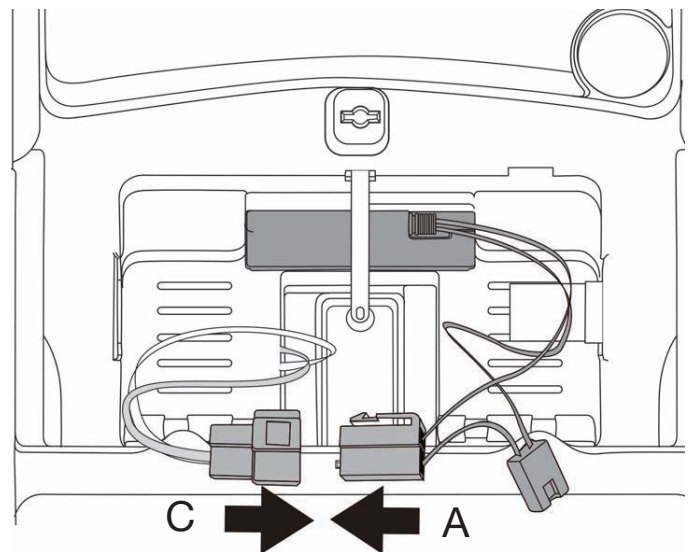
To Charge the Battery:

1. Ensure the vehicle is stopped and turned off.
2. Unlock and remove the seat.
3. Located the red battery connector (A) that attaches directly to the battery.
4. Connect the red battery connector to the red battery charger connector (B).
5. Plug into a 120 V outlet.



To Reconnect the Battery:

6. Unplug the battery charger from the outlet.
7. Unplug the red battery connector from the red charger connector (B).
8. Connect the red battery connector (A) to the red engine connector (C).
9. Replace the seat and tighten lock.

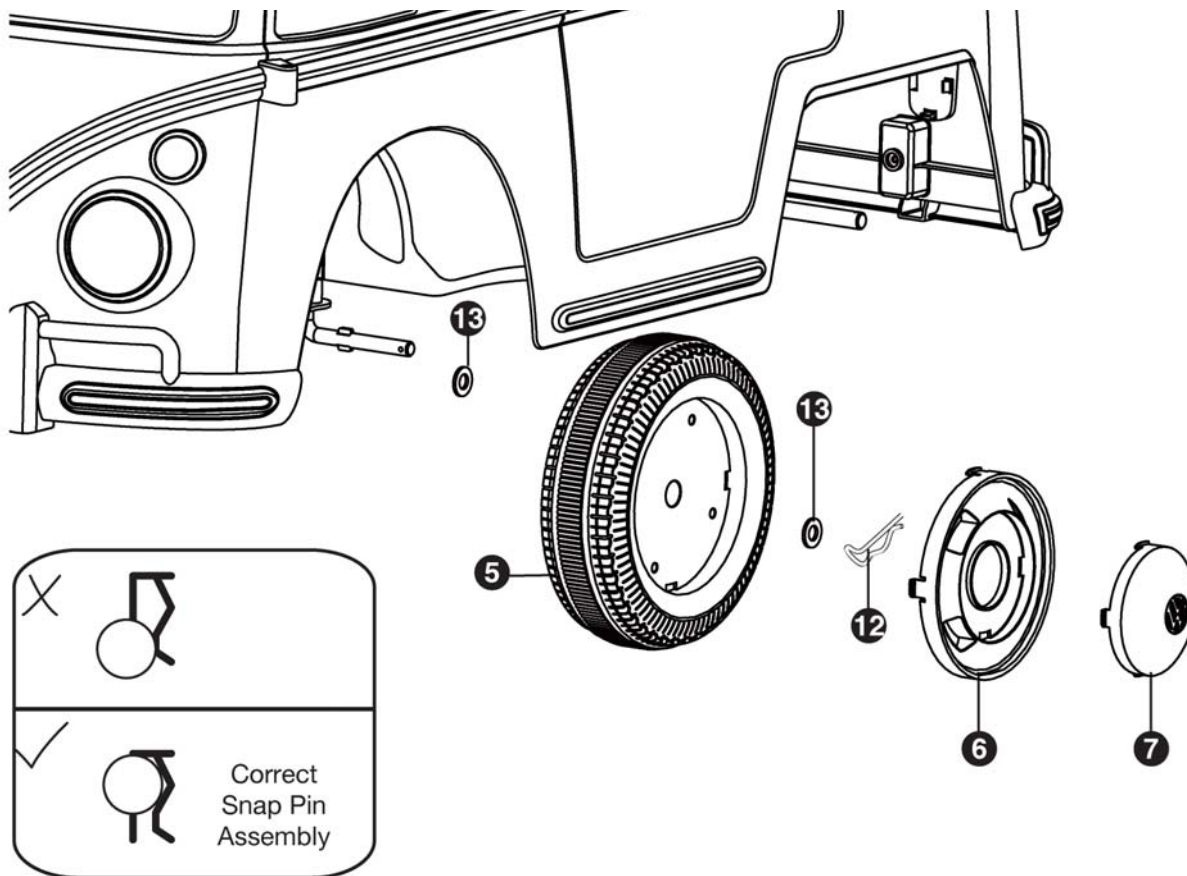


Note: It is not necessary to remove the battery for charging. However, if the battery does not reach the outlet, it can be removed for charging. For Battery Removal instructions, see Page 17.

Helpful Tip:

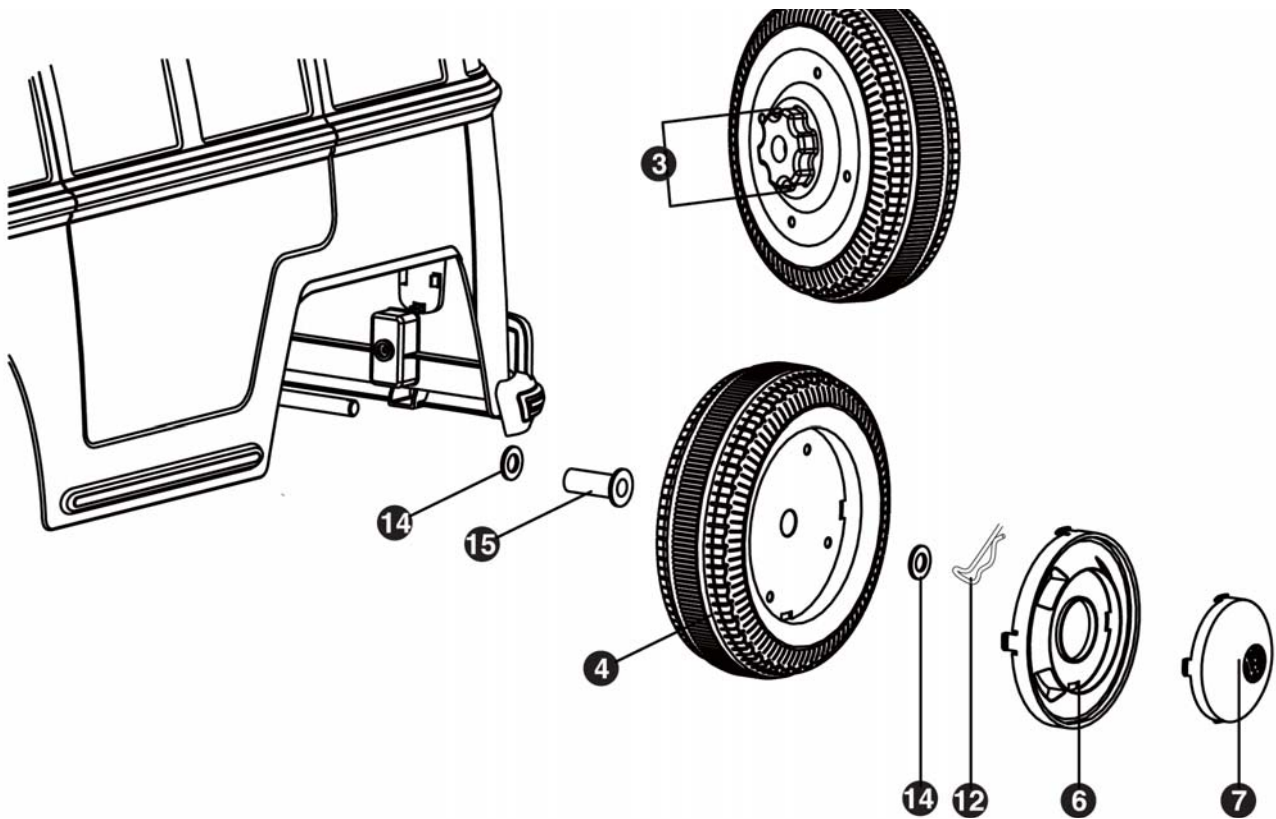
1. Ensure the red battery connector is connected to the red engine connector
2. Ensure the white gear box connector is connected to the white engine connector
3. NEVER connect a red connector to a white connector

10 Assemble the Front Wheels



1. Located the washers and snap pins from the blister box.
2. Slide the small washer (13) onto the front axle.
3. Slide the front wheel (5) onto the axle. Ensure that the side of the wheel with the slots is facing out.
4. Slide the small washer (13) onto the axle.
5. Insert the straight side of the snap pin (12) through the hole at the end of the axle to keep the wheel in place.
6. Position the wheel rim (6) over the holes on the wheel and snap into place.
7. Position the hubcap (7) over the holes on the wheel rim, and snap the hubcap into place.
8. Repeat steps 1-7 for the other front wheel.

Assemble the Rear Wheels 11



Left Rear Wheel

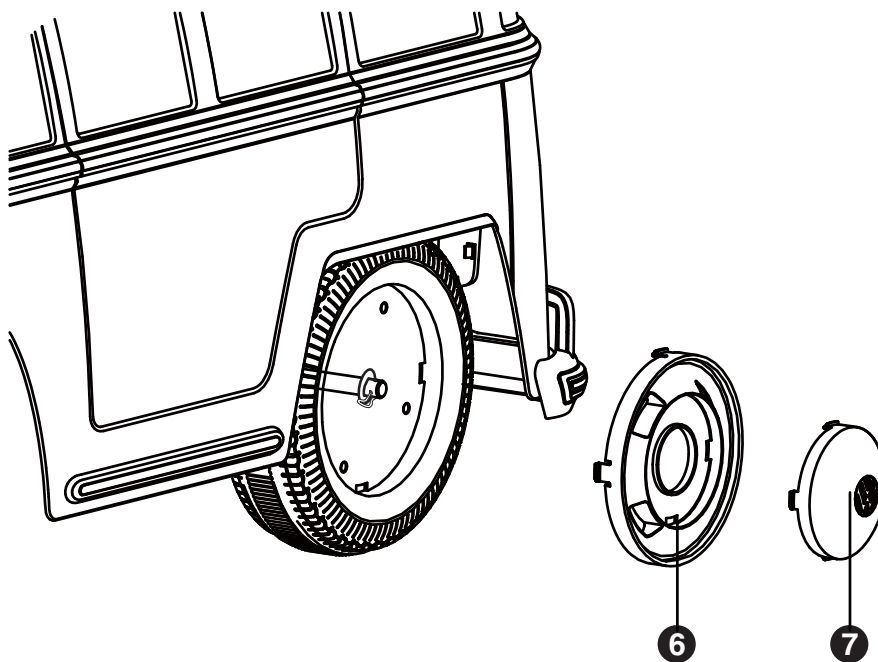
1. Locate the washers (14), snap pins (12) and inner wheel spacer (15) from the blister box
2. Locate the rear axle (pre-installed).
3. Slide the rear axle toward the right side of the car with the motor so that 1" of the axle is visible on the non-motor side.
4. Slide the large washer (14) onto the axle.
5. Slide the inner wheel spacer (15) onto the axle.
6. Align the rear wheel (4) with the hole in the inner wheel spacer and slide the axle all the way through the wheel.
7. Slide the large washer (14) onto the axle.
8. Insert the straight side of the snap pin (12) through the hole at the end of the axle to keep the wheel in place.

12 Assemble the Rear Wheels

Right Rear Wheel

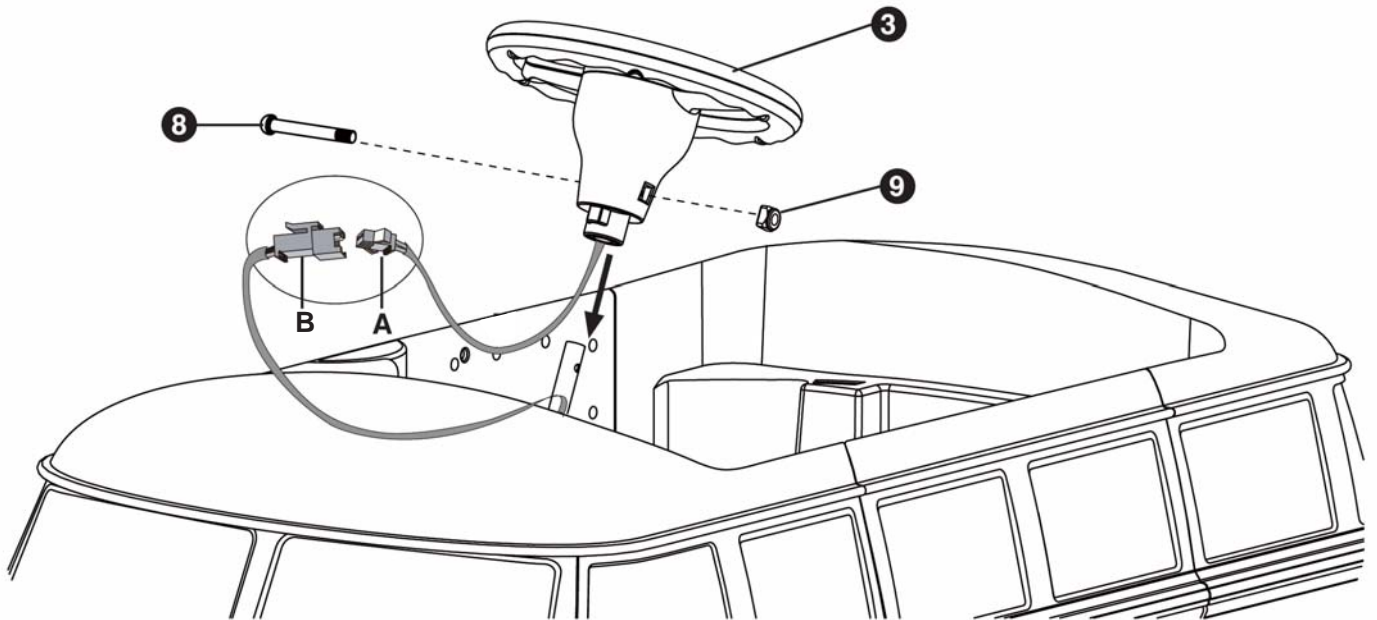
1. Slide the axle away from the motor so that 1" of the axle is visible on the motor side.
2. Slide the rear wheel (4) onto the axle with the gear teeth facing inward. Ensure that the gear teeth connect with the motor that is pre-installed on the axle.
3. Slide the axle toward the motor until it stops against the left rear wheel.
4. Slide the washer (14) onto the axle.
5. Insert the straight side of the snap pin (12) through the hole at the end of the axle to keep the wheel in place.

Rims and Hub Caps



1. Position the wheel rim (6) over the holes on the wheels, and snap into place.
2. Position the hubcap (7) over the holes on the wheel rim, and snap the hubcap into place.

Assemble the Steering Wheel 13

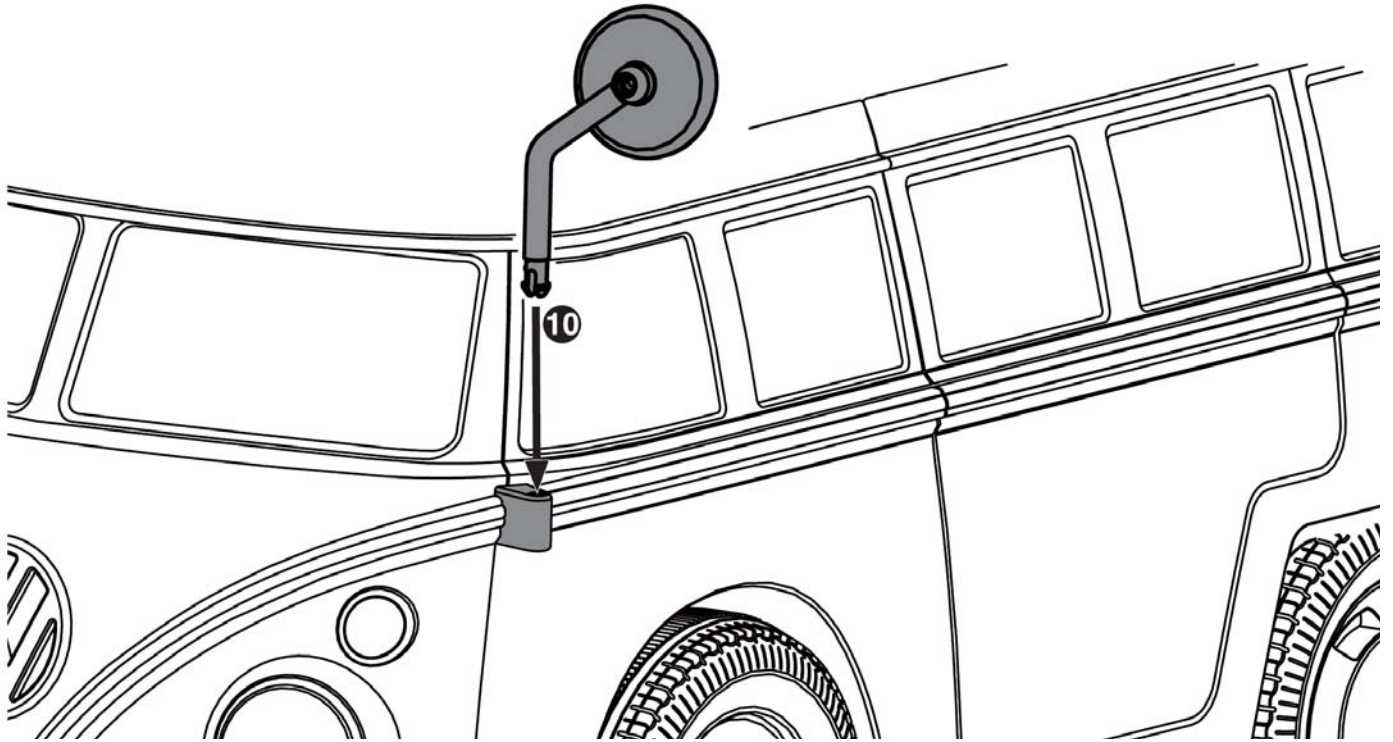


1. Located the steering wheel screw (8) and nut (9) from the blister box.
2. Plug the steering wheel connector (A) into the dashboard connector (B).
3. Slide the steering wheel (3) onto the steering rod.
4. Align the holes on the steering wheel with the holes on the steering rod.
5. Slide the steering wheel screw (8) through the round hole on the steering wheel and steering rod.
6. Fasten the nut (9) on the end of the screw on the square hole and tighten the screw with a screwdriver.

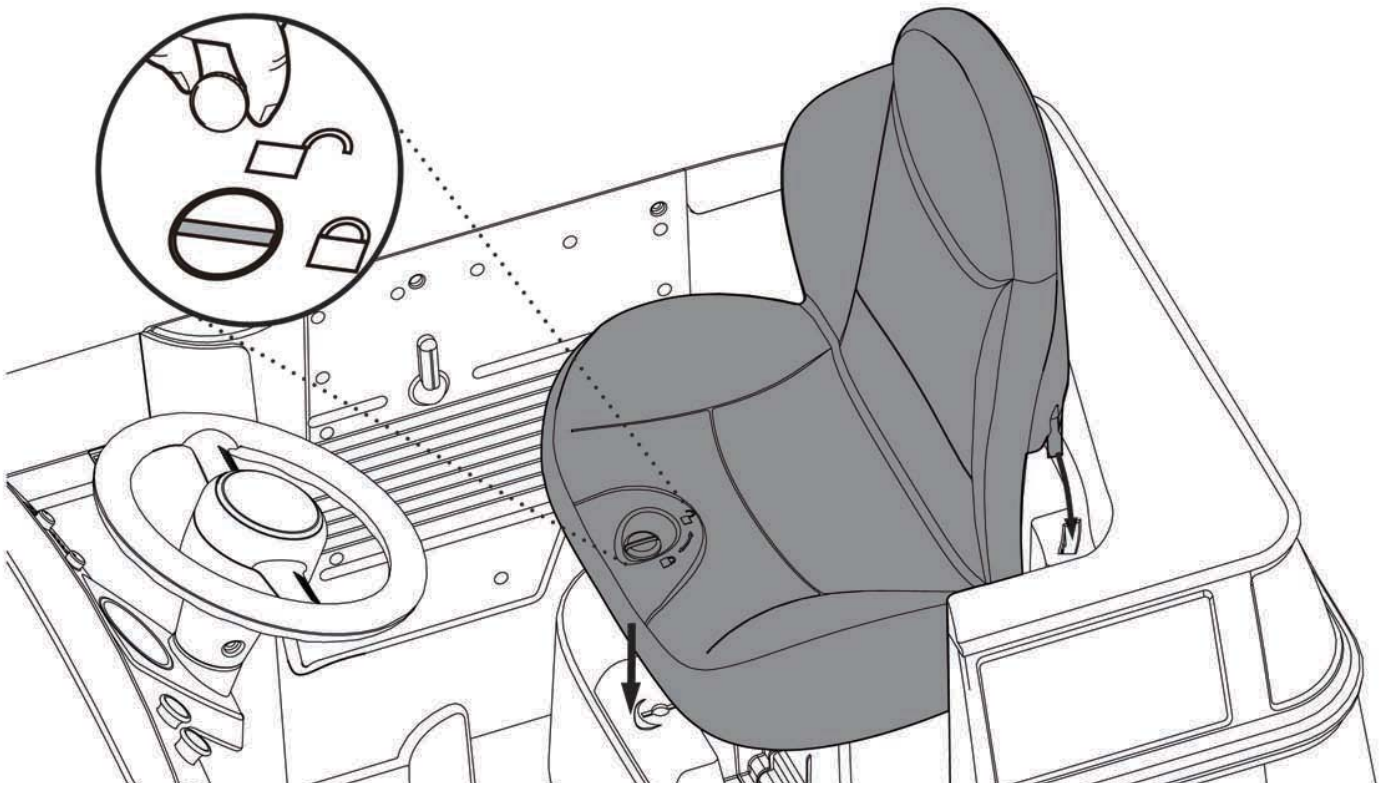
Helpful Tip:

1. Check that the steering rod is pushed up all the way before installing the steering wheel. Flip the car on its side and push up on the steering rod from underneath the car body.
2. Make sure the steering rod stays in place as the steering wheel is installed.

14 Attach the Mirrors

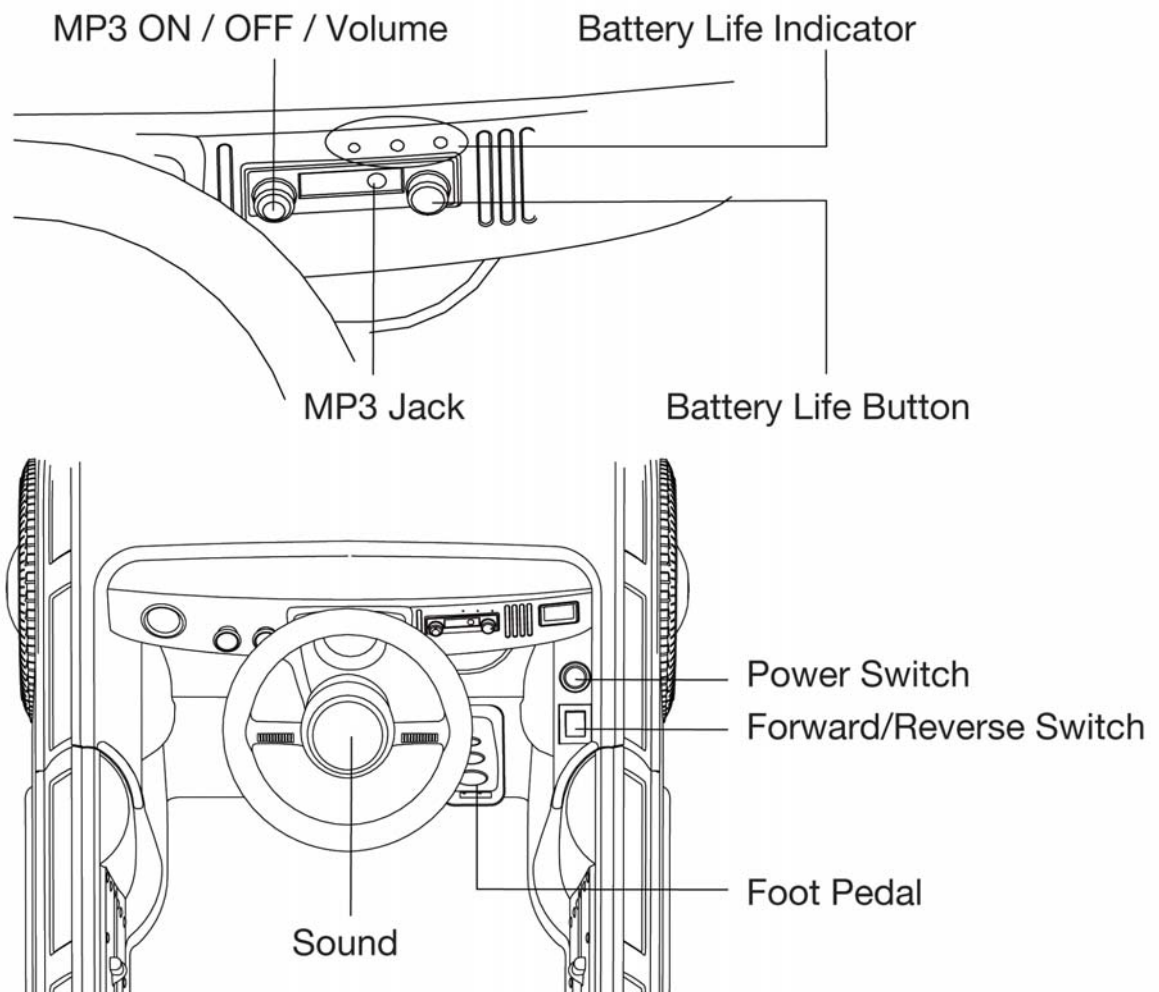


1. Align the bottom of the mirror (10) with the hole on the car body.
2. Gently press the mirror down until it snaps into place.
3. Repeat for the other mirror.

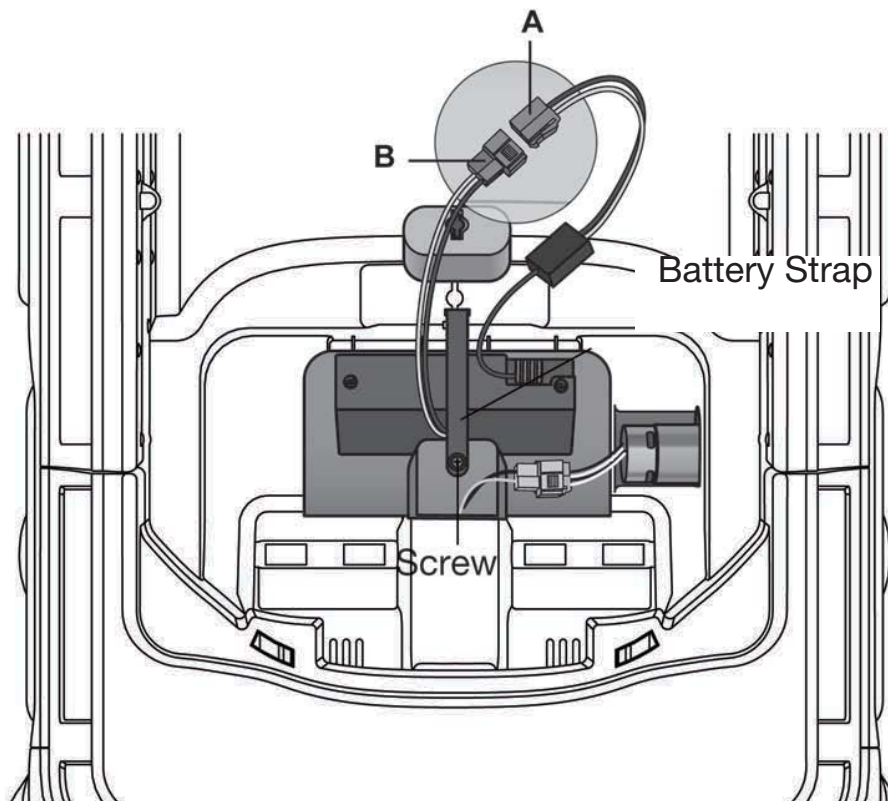


1. Ensure the lock on the car seat is in the unlock position.
2. Align the two hooks on the back of the car seat (2) with the slots on the back of the battery compartment.
3. Insert the hooks into the slots and push the seat down into place.
4. Use a flat head screwdriver or a coin to turn the seat to the locked position.

16 Operation Instructions



- **Power:** Push the power switch to turn on the car. Press the power switch again to turn off the car.
- **Pedal:** Press the foot pedal down to go. Release the foot pedal to stop.
- **Forward/Reverse:** Push the forward switch to move forward. Push the reverse switch to go in reverse.
- **MP3:** Turn on MP3 switch. Insert the MP3 cable into the MP3 jack and connect to your device. The car must be turned on to use.
- **Sounds:** Press the in the middle of the steering wheel for sounds. The car must be on for sounds to work.
- **Battery power indicator: When the car is on, press the power indicator button to check battery level.**
- **Green, Yellow, & Red Lights:** Battery is fully charged. **Yellow & Red Lights:** Battery level is low. **Red Light:** Battery power is lower than 5.5V, and the battery must be recharged



1. Unlock and remove the seat.
2. Disconnect the red battery connector (A) from the red engine connector (B).
3. Loosen and remove the screw from the battery strap using a Phillips screwdriver.
4. Slide the battery strap out from the battery strap slot.
5. Remove the battery.

Note: It is not necessary to remove the battery for charging. However, if the battery does not reach the outlet, then it can be removed for charging.

18 Maintenance

Important Battery and Charger Information

- Only an adult who has read and understands the safety warnings may handle and operate the battery and battery charger. Keep away from children.
- Charge the battery for 24 hours before using the vehicle for the first time.
- Recharge the battery immediately after each use. Charge for at least 8-12 hours, but no more than 20 hours.
- Charge the battery at least once a month, even if the vehicle is not used or stored.
- Never leave the battery in a discharged condition.
- Connect the terminal of the battery and charger, then plug the charger into a 120V AC outlet.
- It is normal for the charger to heat slightly. If the charger rises above 71°C / 160°F, disconnect the charger and call Customer Service for assistance.
- Keep the charger away from water or excessive moisture to prevent short-circuiting.
- Only use the charger specified with the original item. **Do not charge the battery with any other charger.**
- Do not attempt to recharge non-rechargeable batteries with the original charger.
- **Do not replace the battery with any other battery, or the warranty will be voided.** If you need a replacement battery, see Page 23 for replacement information.
- Remove damaged batteries from the car immediately. Recycle or dispose of the used batteries responsibly.
- Do not short circuit the supply terminals.
- Do not leave the battery connected in the vehicle for extended periods of time when the vehicle is not being used. Disconnect the battery connector from the engine connector before storing.
- The vehicle is equipped with a thermal fuse to protect the electric circuit. If the vehicle cuts out, turn the vehicle off and on to reset.

- Regularly inspect all vehicle parts to ensure they are in good working condition.
- Regularly inspect the charger, cord, plug, and other related parts for damage.
- Remove any damaged parts and immediately contact Customer Service for replacement parts. See Service information on Page 23.
- DO NOT operate the vehicle if there are any damaged parts.
- Carefully clean the vehicle with a damp cloth and mild soap. Do not get water in or near any electrical parts. Do not wash the vehicle with a hose.
- Store the vehicle indoors or use a tarp to cover it. Keep away from stoves, heaters, or other sources of heat.

20 Troubleshooting Guide

Completely read through the manual and troubleshooting guide before contacting Customer Service.

Problem	Potential Cause	Solution
Vehicle does not run	Battery is low	Recharge the battery
	Thermal fuse tripped	Reset fuse
	Snap pins are loose	Tighten snap pins
	Loose wires or loose connectors	Ensure the battery connectors are securely attached. If wires are loose, contact Customer Service for repairs
	Battery is dead	Call Customer Service for replacement battery
	Electrical system is damaged	Call Customer Service for repairs
	Motor is damaged	Call Customer Service for repairs
Vehicle only runs for a short time	Undercharged battery	Ensure a secure connection when the battery is recharging. Recharge for at least 8-12 hours
	Overcharged battery	Never charge the battery for more than 30 hours
	Battery is old	Replace battery
Vehicle runs slowly	Battery is not fully charged	Ensure a secure connection when the battery is recharging
	Battery is old	Call Customer Service to order replacement battery
	Too much weight on vehicle	Reduce weight on vehicle 35 kg / 77 lbs
	Harsh conditions	Operate the vehicle on level ground and safe surfaces

Troubleshooting Guide 21

Problem	Potential Cause	Solution
Vehicle needs a push to start	Loose wires or loose connectors	Ensure the battery connectors are securely attached. If wires are loose, contact Customer Service
	“Dead spot” on motor	A “dead spot” means electricity is not being delivered to the terminal. Contact Customer Service
Difficulty shifting	Attempting to shift while vehicle is moving	Stop the vehicle before shifting
Motor or gear box making grinding noises	Motor or gear damage	Contact Customer Service
Battery will not recharge	Charger is not plugged in	Plug in the charger to a functional wall outlet
	Charger is not working	Call Customer Service
	Loose connector or loose adapter	Check that the connectors are securely plugged in to each other
Battery makes bubbling noise while recharging	This is normal	No action required
Charger is warm	This is normal	No action required

22 **FCC Information**

This device complies with part 15 of the FCC Rules. Operation is subject to the following two conditions: (1) this device may not cause harmful interference, and (2) this device must accept any interference received, including interference that may cause undesired operation.

This equipment has been tested and found to comply with the limits for a Class B digital device, pursuant to Part 15 of the FCC Rules. These limits are designed to provide reasonable protection against harmful interference in a residential installation.

This equipment generates, uses and can radiate radio frequency energy and, if not installed and used in accordance with the instructions, may cause harmful interference to radio communications. However, there is no guarantee that interference will not occur in a particular installation. If this equipment does cause harmful interference to radio or television reception, which can be determined by turning the equipment off and on, the user is encouraged to try to correct the interference by one or more of the following measures:

- Reorient or relocate the receiving antenna.
- Increase the distance between the equipment and the receiver.
- Consult dealer or an experienced radio/TV technician for help.
- Connect the equipment into an outlet on a circuit different from that to which the receiver is connected.
- Check the state or local requirements for the product before using the product.

Caution: Changes or modifications not expressly approved by the party responsible for compliance could void the user's authority to operate the equipment.

Do not return this vehicle to the store.

If your product requires service, repairs or replacement parts, please contact Rollplay Customer Service.

Hours: 9 AM - 5 PM (CST), Monday - Friday

Phone: 1-888-982-9309

Email: customerservice@rollplay.com

Web: www.rollplay.com

For a list of available replacement parts, please visit www.rollplay.com.

WE WILL REQUIRE PROOF OF PURCHASE. Please save your sales receipt or register your product at www.rollplay.com.

24 **Warranty**

Rollplay 6-Volt Limited Warranty

- One-year limited warranty from the date of purchase with proof of purchase from a Rollplay certified retailer.
- Six month limited warranty on the 6-Volt battery with proof of purchase from a Rollplay certified retailer.
- This one-year limited warranty covers the ride-on vehicle against defects in materials and workmanship to the original purchaser. **Proof of purchase receipt from a Rollplay certified reseller is required.**
-
- Rollplay ensures the original 6-Volt battery is warranted for 6 months from initial purchase of the vehicle from a certified retailer. Proof of purchase receipt required.
- This warranty covers normal use and does not cover the Rollplay vehicle or battery if deemed damaged by unreasonable use, modification, neglect, accident, abuse, misuse, improper service or other causes not arising out of defects in materials or workmanship. Evidence of any attempt at consumer repair will void this warranty.
- This warranty does not cover, and is not intended to exclude any liability on the part of Rollplay, whether under this warranty or implied by law for any indirect or consequential damages for breach of warranty. Some states may not allow the exclusion or limitation so this limitation may not apply to you.

Should you need service or assistance with your vehicle during the warranty period:

- Please do not return vehicle to the store.
 - Consult the troubleshooting guide in this manual and online at www.rollplay.com
- or
- Call Rollplay Customer Service at 1-888-982-9309

Note: This warranty gives you specific legal rights. You may also have other rights that may vary from state to state.

Please save your original sales receipt.

This page is intentionally left blank.

26 Product Registration

Fill out the form below and mail it to:

Rollplay Products
1131 W Blackhawk St.
Second Floor
Chicago, IL 60642

OR fill out the form online at **www.rollplay.com**

We will use the information provided only for your warranty. We will not sell, rent or share your personal information.

Product Registration

First Name: _____ Last Name: _____ Title: _____

Address: _____

City: _____ State: _____ Zip Code: _____

Email: _____ Phone: _____

Date of Purchase: _____

The following product information is on the cover of the owner's manual.

Product Name: _____ Model Number: _____

Serial Number: _____ Retailer Place of Purchase: _____

Questions or comments? Contact us at **www.rollplay.com** or **1-888-982-9309**