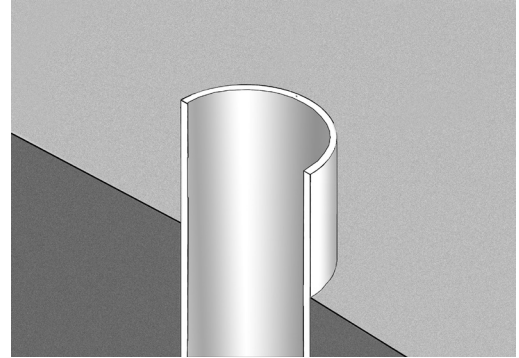


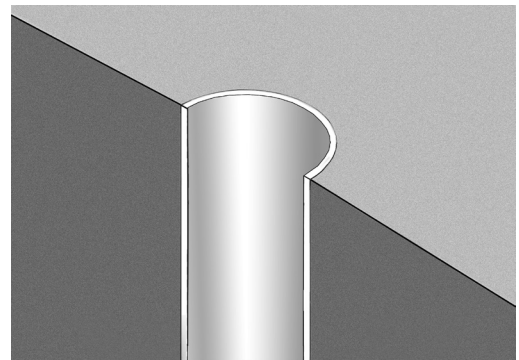
INSTRUCTIONS FOR PVC INSIDE PIPE FIT DRAINS AND CLEANOUTS

CONCRETE FLOORS

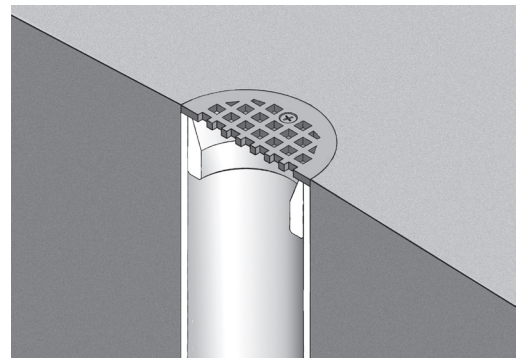
1. Pour concrete so that the pipe stack is above the finished surface.



2. Once concrete is complete, use a pipe saw to cut pipe flush with concrete. Use inside pipe cutter to trim pipe 3/8" below concrete surface.



3. The inside pipe fit drain/cleanout can easily be glued into the pipe, creating a level surface once the strainer is installed.

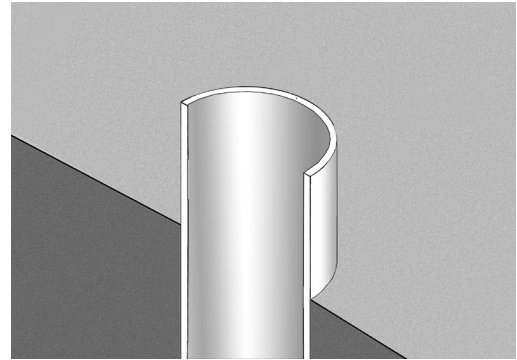


(Continued on next page)

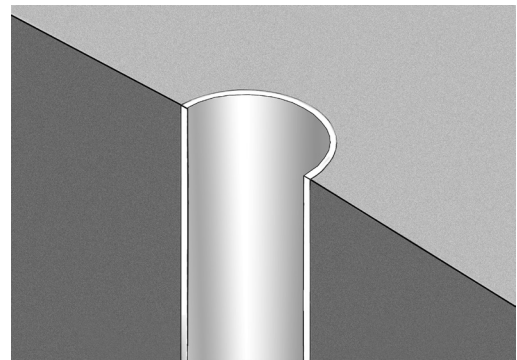
INSTRUCTIONS FOR PVC INSIDE PIPE FIT DRAINS AND CLEANOUTS

TILE FLOORS

1. Pour concrete so that the pipe stack is above the finished surface.



2. Once concrete is complete, use a pipe saw to cut pipe stack flush with concrete. To guarantee a finished look, account for the total thickness of the tile and adhesion media. Offset the drain to account for the difference. The inside pipe fit drain/cleanout can then be easily glued into the pipe.



3. Lay tile to the edge of the cover or strainer.

