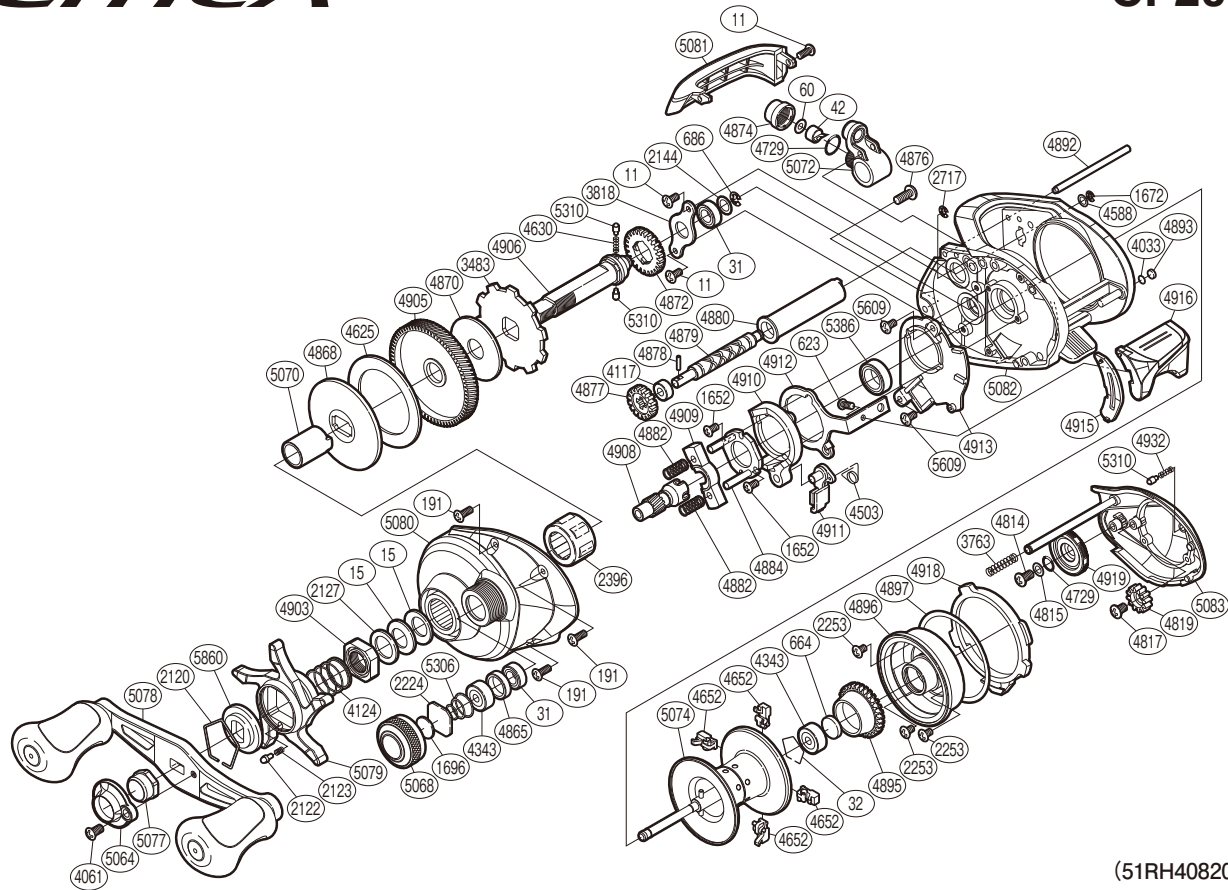


SHIMANO

CITICA

CI-2011



(51RH408201U)

#	Part No.	Description	#	Part No.	Description	#	Part No.	Description
11	10MT0	Screw	4588	10FJZ	Washer	4910	10K0P	Clutch Cam
15	10D60	Drag Spring Washer	4625	106XT	Drag Washer	4911	10MQM	Clutch Pawl
31	105BL	Ball Bearing	4630	10JDX	Idle Gear Spring	4912	10QGJ	Clutch Plate
32	10GEW	Bearing Retainer	4652	1046G	Brake Shoe	4913	10BVM	Clutch Guard
42	10FFZ	Line Guide Pawl	4729	108WQ	O Ring	4915	1096T	Clutch Bar Guide
60	10CFW	Spacer	4814	103LE	Screw	4916	10CDM	Quick-Fire II Clutch Bar
191	10MPT	Screw	4815	10GFB	Washer	4918	10BAL	Side Plate Cam Lever
623	103C0	Screw	4817	103L7	Screw	4919	10AZC	Brake Dial
664	1057S	Spacer B	4819	10CLF	Idle Gear	4932	10GQZ	Click Spring
686	105NK	E Lock	4865	10EYS	Bearing Spacer	5064	10Q5Q	Handle Nut Plate
1652	10LVE	Screw	4868	10D3H	Key Washer	5068	10KDM	Cast Control Cap
1672	105NC	E Lock	4870	10CHF	Drag Washer	5070	10BMW	Roller Clutch Inner Tube
1696	10896	Cast Control Spacer	4872	10J47	Idle Gear	5072	10NVR	Line Guide
2120	10KXV	Click Plate Retainer	4874	10FJB	Pawl Cap	5074	10L13	Spool Assembly
2122	10BT0	Click Pin	4876	103DC	Screw	5077	10FFE	Handle Nut
2123	10BT2	Click Spring	4877	10FNV	Idle Gear	5078	10CF0	Handle Assembly
2127	10J1N	Star Drag Spacer	4878	10AEZ	Worm Shaft Pin	5079	10AU0	Star Drag
2144	10C47	Washer	4879	104SN	Worm Shaft	5080	10GK7	Left Side Plate
2224	1085F	Spool Tension Spacer	4880	10NFQ	Level Wind Guard	5081	10WFV	Level Wind Protector
2253	103N4	Screw	4882	10487	Yoke Spring	5082	10EVF	One-Piece Frame
2396	10F5C	Roller Clutch Bearing	4884	10F3X	Clutch Cam Retainer	5083	10D0C	Right Side Plate
2717	105NB	E Lock	4892	10QSE	Stabilizer Bar	5306	10TMT	Spool Tension Spring
3483	109BB	Anti-Reverse Ratchet	4893	108PY	Anti-Thrust Washer	5310	10HJG	Idle Gear Pin
3763	10KNG	Side Plate Spring	4895	10EXQ	Brake Ring Gear	5386	10EX6	Ball Bearing
3818	109T0	Drive Shaft Retainer	4896	10F0N	Brake Case	5609	10LCT	Screw
4033	108SK	Washer	4897	104MX	Washer	5860	10J26	Star Drag Click Plate
4061	103ED	Screw	4903	10A3U	Star Drag Nut			
4117	10PXY	Bushing	4905	10CMF	Drive Gear			
4124	10A70	Star Drag Spring	4906	1058M	Drive Shaft	4652	1046G	Brake Shoe (accessory)
4343	105C3	Ball Bearing	4908	10CRZ	Pinion Gear			
4503	104CQ	Clutch Pawl Spring	4909	1046W	Yoke	4692	10LQ0	B-100 Oil (accessory)

Please note that the number of adjusting washers may not be the same as shown in the exploded views.
(Adjustment will vary with each individual product.)

(241029)_005