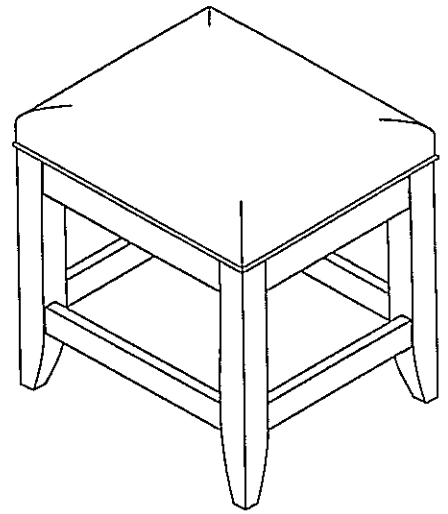


# 88 5530 28 Naples Bench



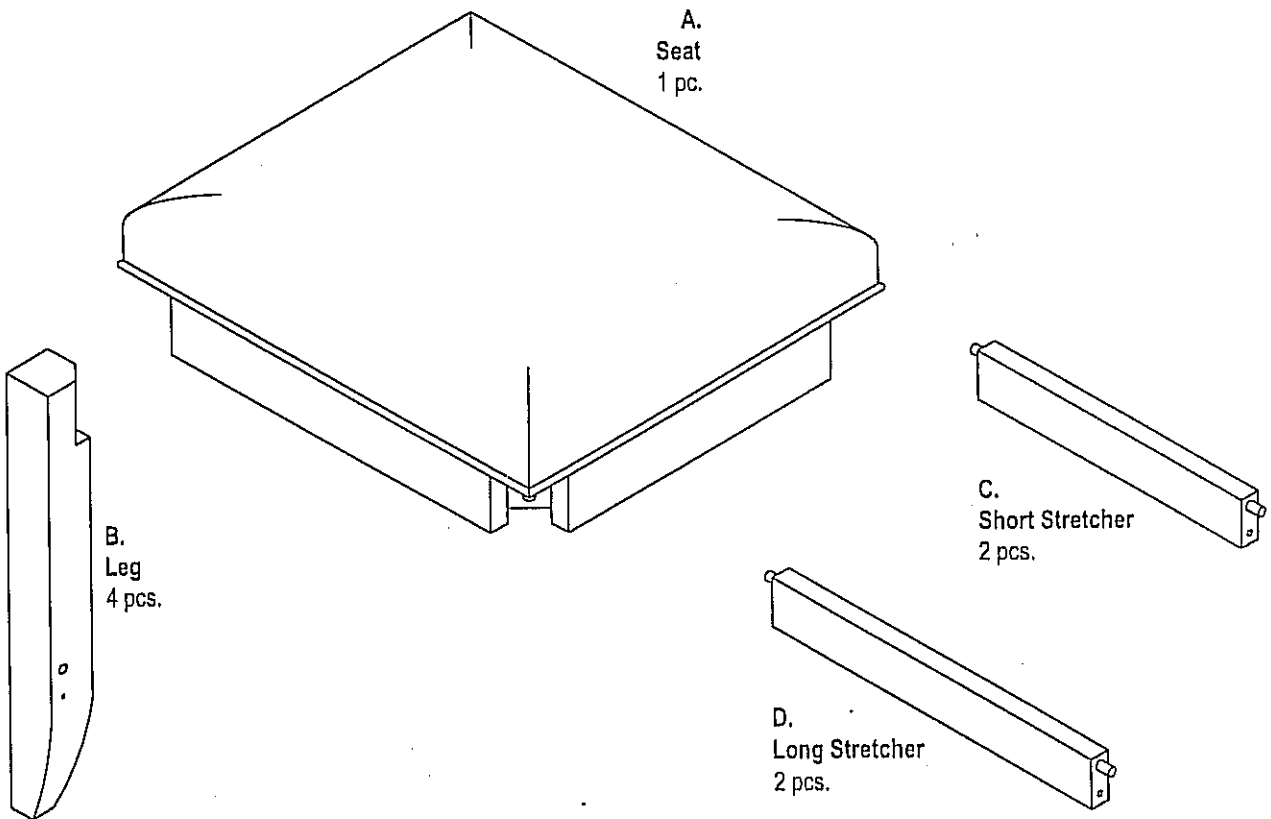
*Home  
Styles*

## IMPORTANT NOTE

Carefully remove all the parts from the carton and put them individually on a soft cloth to prevent scratches or other damages occurring to the wood parts.

We have taken great care in the design of this product and request that you carefully and strictly follow our assembly instructions to ensure a completed product as it was designed.

## Part List



## Hardware List



Screw  
8 pcs. (+1 extra)



Bolt  
8 pcs. (+1 extra)



Flat Washer  
8 pcs. (+1 extra)



Spring Washer  
8 pcs. (+1 extra)



Allen Key  
1 pc.



Allen Key (Small)  
1 pc.

Tools Required For Assembly : Phillips screwdriver

Home Styles Consumer Assistance Line 888-680-7460 and 877-831-0319

servicedesk@homestyles-furniture.com

## IMPORTANT

- \* Do not tighten up all the screws until each part is properly assembled.
- \* Use a soft cloth between these parts and the floor.

## STEP 1

Attach Long Stretcher (D) to the Legs (B) using Screws.  
(See figure 1)

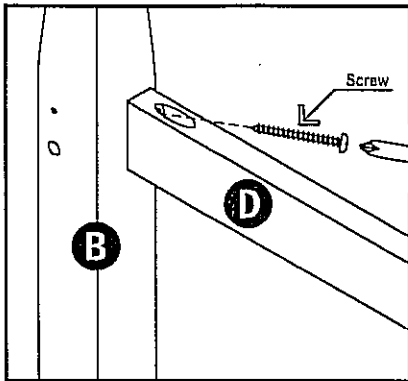
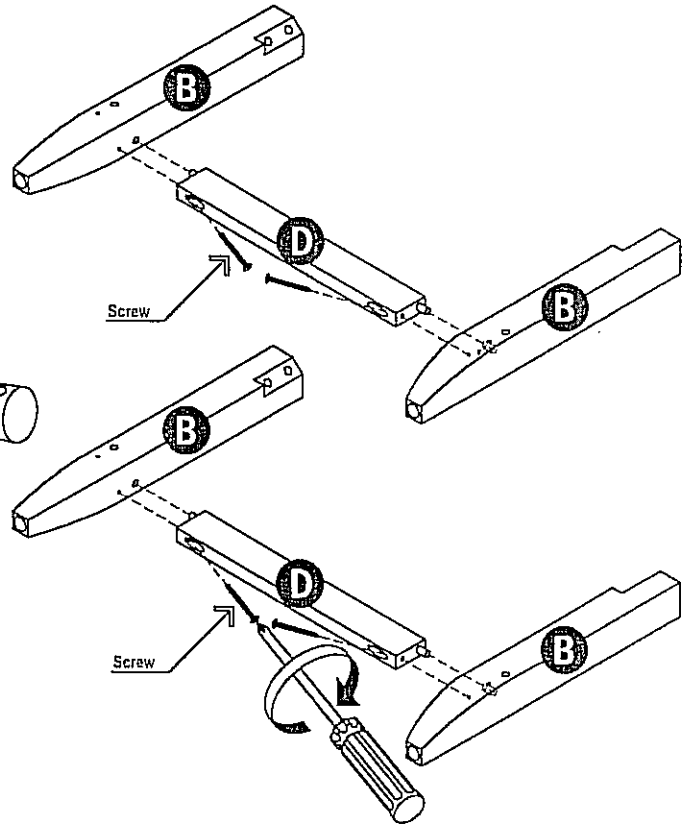


Figure 1



## STEP 2

Attach Seat (A) to the Legs (B) using Bolt, Flat Washer and Spring Washer.

Tighten it using Allen Key.  
(See figure 2)

Attach Short Stretcher (C) to the Legs (B) using Screw.

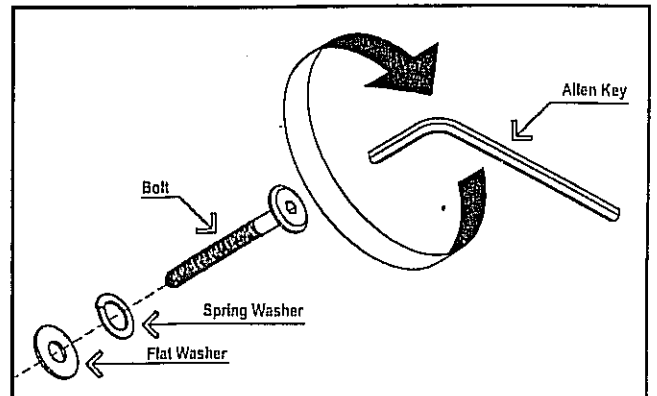
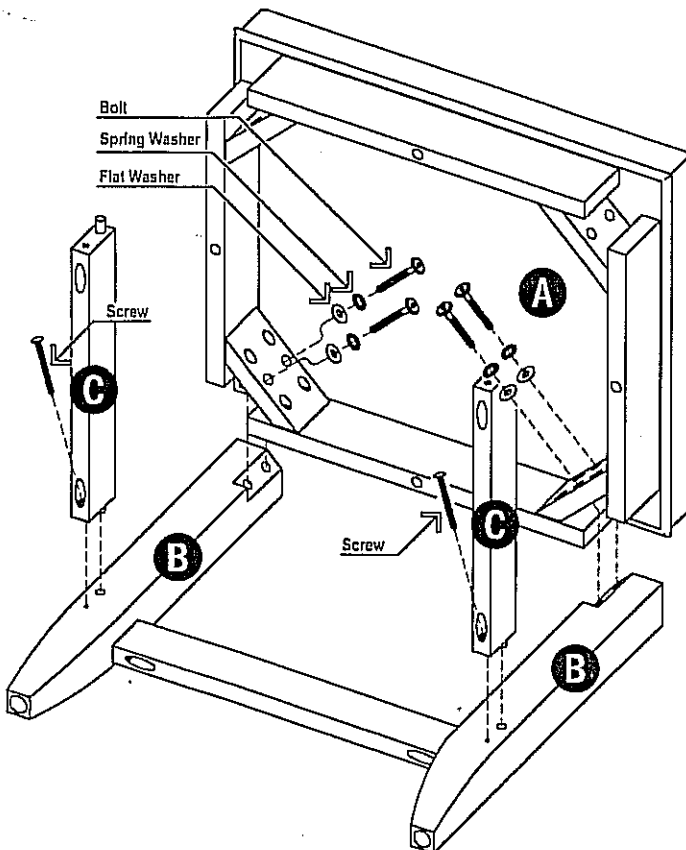


Figure 2

## STEP 3

Attach Legs (B) to unit using Bolts, Flat Washers, Spring Washers and Screws.

Tighten Bolts using Allen Key.  
(See figure 3)

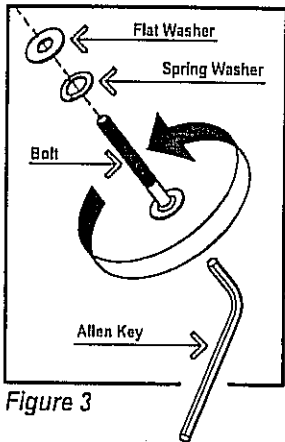
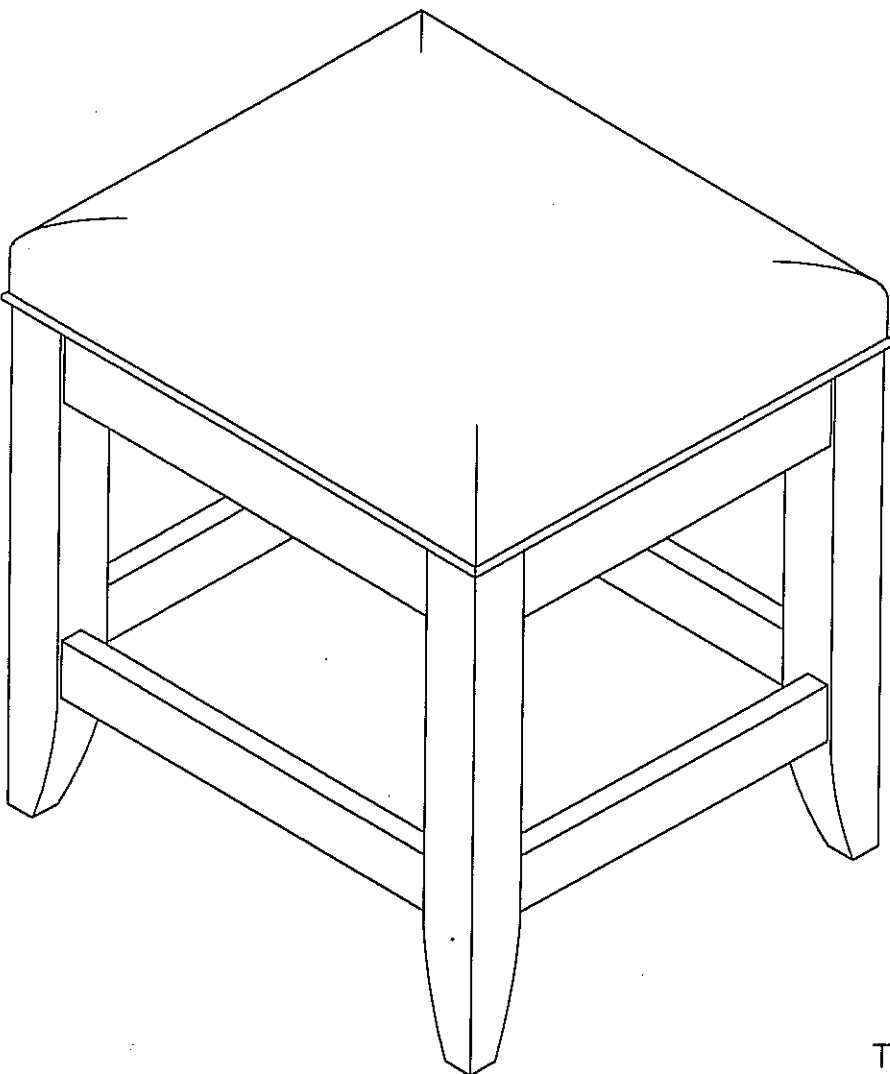
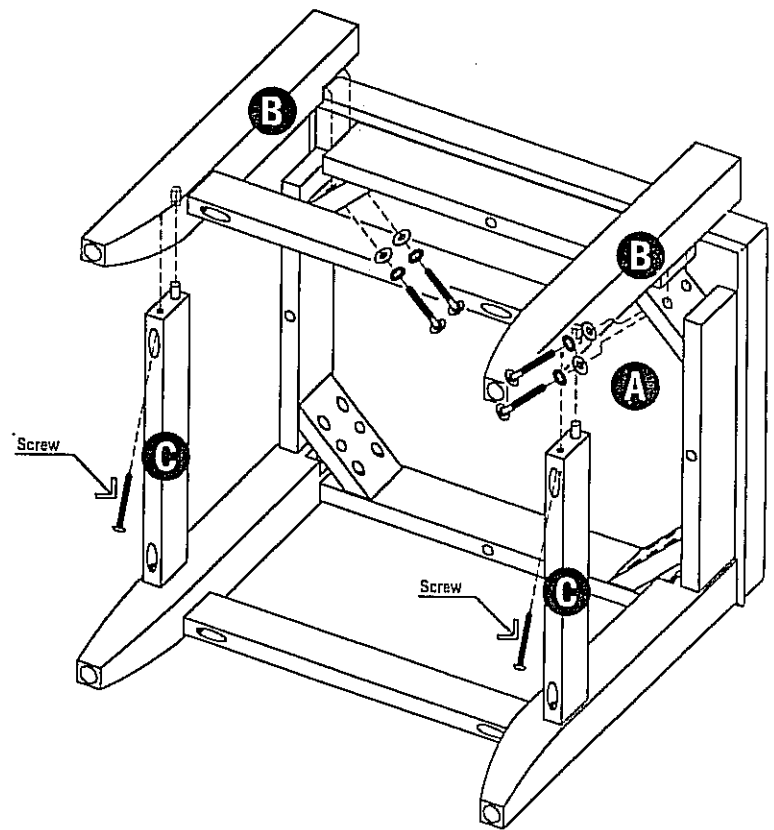


Figure 3



## STEP 4

Turn the unit to its' upright position.

# VERY IMPORTANT !!

## CARE INSTRUCTIONS

### NEVER

USE GLASS CLEANERS ON FINISHED FURNITURE. AMMONIA WILL CHEMICALLY ATTACK THE LACQUER.

### NEVER

ALLOW LIQUIDS OF ANY KIND TO REMAIN IN DECORATIVE ROUTE LINES. ABSORPTION CAUSES WOOD TO WARP AND FINISH TO DE-LAMINATE.

DO NOT WRITE DIRECTLY ON SURFACE.



**PREVENT MARKING**

DO NOT PLACE IN DIRECT SUNLIGHT.



**PREVENT FADING**

DO NOT USE COMMERCIAL WAXES AND POLISHES.



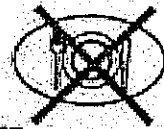
**PREVENT YELLOWING**

DO NOT PLACE HOT KETTLES POTS, ETC. ON SURFACE.



**PREVENT DAMAGE TO FINISH!**

DO NOT USE RUBBER-BASED PLACEMATS USE CLOTHS!



**PREVENT DISCOLORING**

## TO CLEAN

SIMPLY USE A SOFT CLOTH MOISTENED IN LEMON OIL POLISH OR LUKEWARM SOAP & WATER THEN BUFF WITH A DRY CLEAN CLOTH!

