



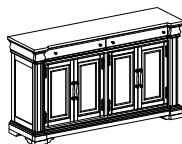
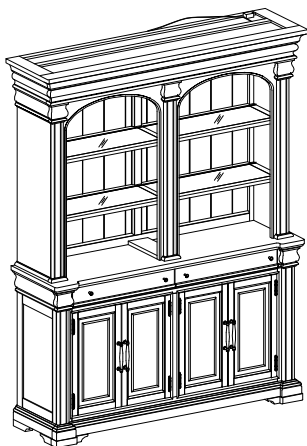
PARTS LIST / LISTE DES PIÈCES / LISTA DE PIEZAS
ITEM NO. / ARTICLE NO. / ARTICULO NO. : P091302 / P091303
DESCRIPTION / DESCRIPCIÓN : SEVER / SEVER HUTCH
DESSERTTE / HUCHE
APARADOR / REPISA

⚠ WARNING

Children have died from furniture tipover. To reduce the risk of furniture tipover :

- ALWAYS install tipover restraint provided.
- NEVER put a TV on this product.
- NEVER allow children to stand, climb or hang on drawers, doors, or shelves.
- NEVER open more than one drawer at a time.
- Place heaviest items in the lowest drawers.

This is a permanent label. Do not remove !



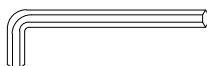
A

x1 Sever
x1 Desserte
x1 Aparador



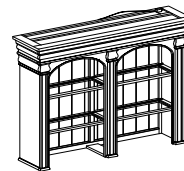
D

x8 Allen Bolt Ø1/4" x 25mm *
x8 Vis à tête creuse hexagonale Ø1/4 " x 25mm
x8 Perno Allen Ø1/4 " x 25mm



G

x1 Allen Key 4mm *
x1 Clé hexagonale 4mm
x1 Llave allen 4mm



B

x1 Server Hutch
x1 Huche
x1 Repisa



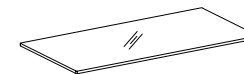
E

x8 Lock Washer Ø1/4" *
x8 Rondelle de blocage Ø1/4 "
x8 Arandela de seguridad Ø1/4 "



H

x4 Bracket *
x4 Support
x4 Soporte



C

x4 Glass shelf *
x4 Étagère en verre
x4 Estante de vidrio



F

x8 Flat Washer Ø1/4" *
x8 Rondelle de plate Ø1/4 "
x8 Arandela plana Ø1/4 "



K

x2 Anti tipping Restraint
x2 Liste des pièces de quincaillerie antibasculement
x2 Lista del kit de materiales antivuelco

* Replaceable Part



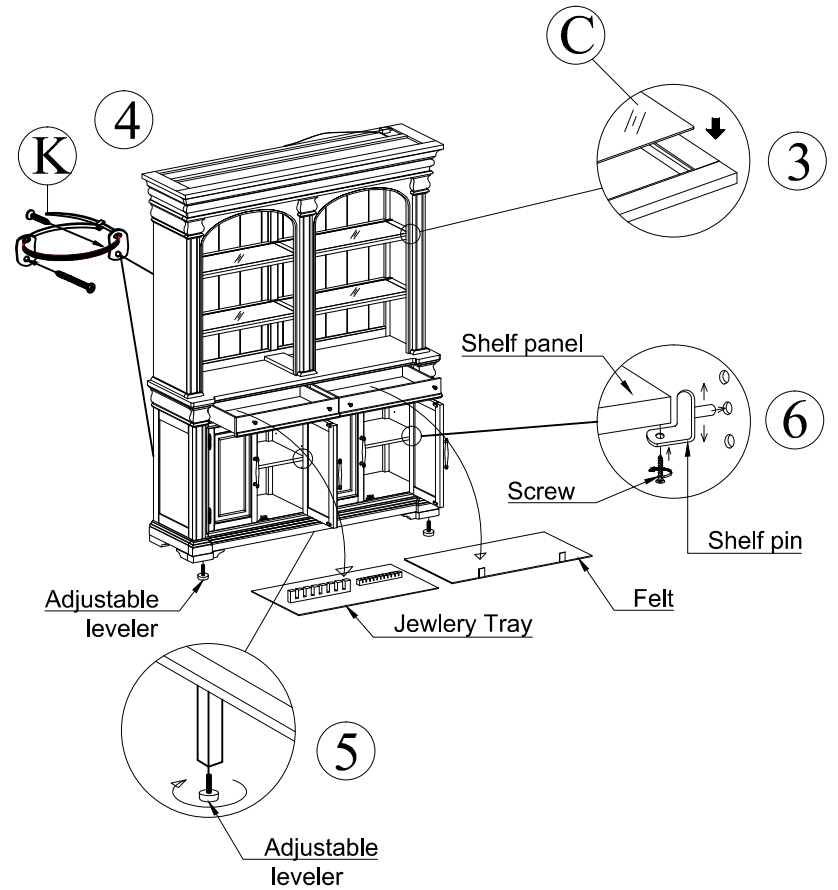
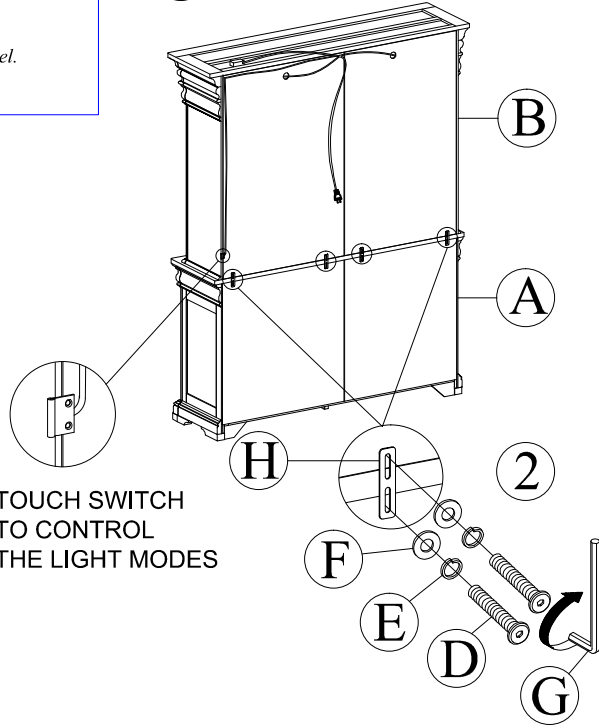
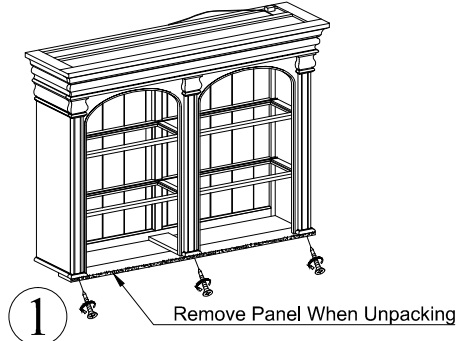
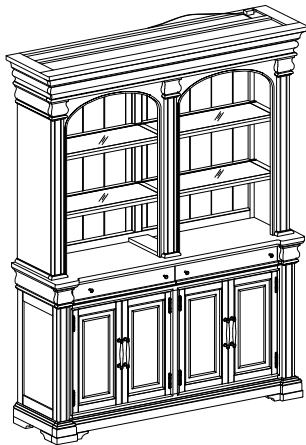
ASSEMBLY INSTRUCTIONS / NOTICE DE MONTAGE / INSTRUCCIONES DE MONTAJE
 ITEM NO. / ARTICLE NO. / ARTICULO NO. : P091302 / P091303
 DESCRIPTION / DESCRIPCIÓN : SEVER / SEVER HUTCH
 DESSERTTE / HUCHE
 APARADOR / REPISA

WARNING

Children have died from furniture tipover. To reduce the risk of furniture tipover :

- ALWAYS install tipover restraint provided.
- NEVER put a TV on this product.
- NEVER allow children to stand, climb or hang on drawers, doors, or shelves.
- NEVER open more than one drawer at a time.
- Place heaviest items in the lowest drawers.

This is a permanent label. Do not remove !





REPLACEABLE PART / PARTIE REMPLACABLE / PARTE REEMPLAZABLE
 ITEM NO. / ARTICLE NO. / ARTICULO NO. : P091302 / P091303
 DESCRIPTION / DESCRIPCIÓN : SEVER / SEVER HUTCH
 DESSERTTE / HUCHE
 APARADOR / REPISA

WARNING

Children have died from furniture tipover. To reduce the risk of furniture tipover :

- ALWAYS install tipover restraint provided.
- NEVER put a TV on this product.
- NEVER allow children to stand, climb or hang on drawers, doors, or shelves.
- NEVER open more than one drawer at a time.
- Place heaviest items in the lowest drawers.

This is a permanent label. Do not remove !

- | | | | | |
|--|--|--|--|--|
| | | | | |
| | | | | |
| | | | | |
| | | | | |

* Replaceable Part

