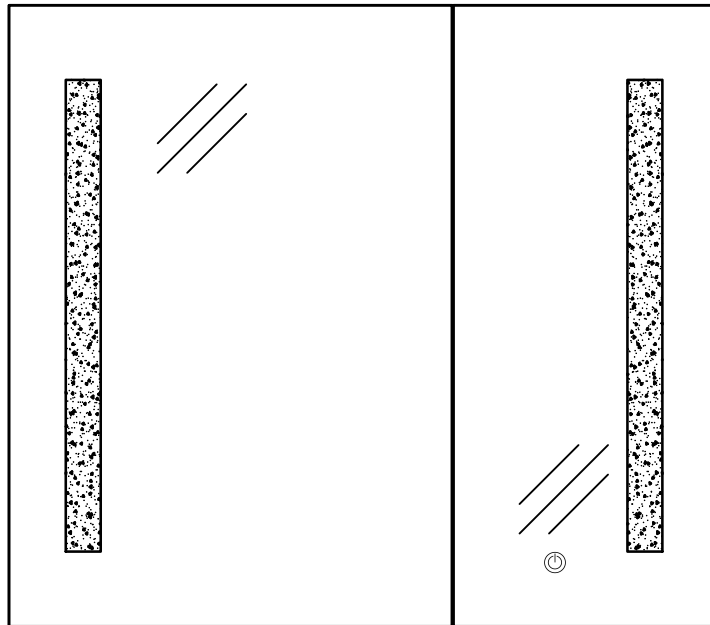


ANZZI®

Item: BA-LMDFVCB007AL
ANZZI LED MIRROR
INSTALL & OPERATION MANUAL
V1.0



DON'T WAIT! REGISTER NOW!

Register your product within 90 days to ensure your product is recognized as an official purchase and is eligible for warranty coverage.

Mail in the completed registry card (Pg. 2) or register online at www.swcorp.com/register.



PRODUCT REGISTRATION*

IMPORTANT: YOUR WARRANTY WILL NOT BE RECOGNIZED UNLESS THIS CARD IS FULLY COMPLETED AND RETURNED OR ONLINE REGISTRATION IS COMPLETED.

To ensure that your warranty is registered and confirmed please do one of the following:

- 1. Register online at www.swcorp.com/register.** You will be asked to fill out the same information you would in the registration card. Registering online is fast, secure and ensures we receive your information.
- 2. Complete, cut-out and mail the registration card below.** By returning this registration card we confirm the date of purchase for your new product. This confirmation will allow us to process any warranty claims.

Mail the card to: 5701 NW 35 Avenue, Miami, FL 33142



Product Registration Card

Name..... Address

City..... State..... Zip.....

Phone Email.....

Date of Purchase

Installer's Name Phone

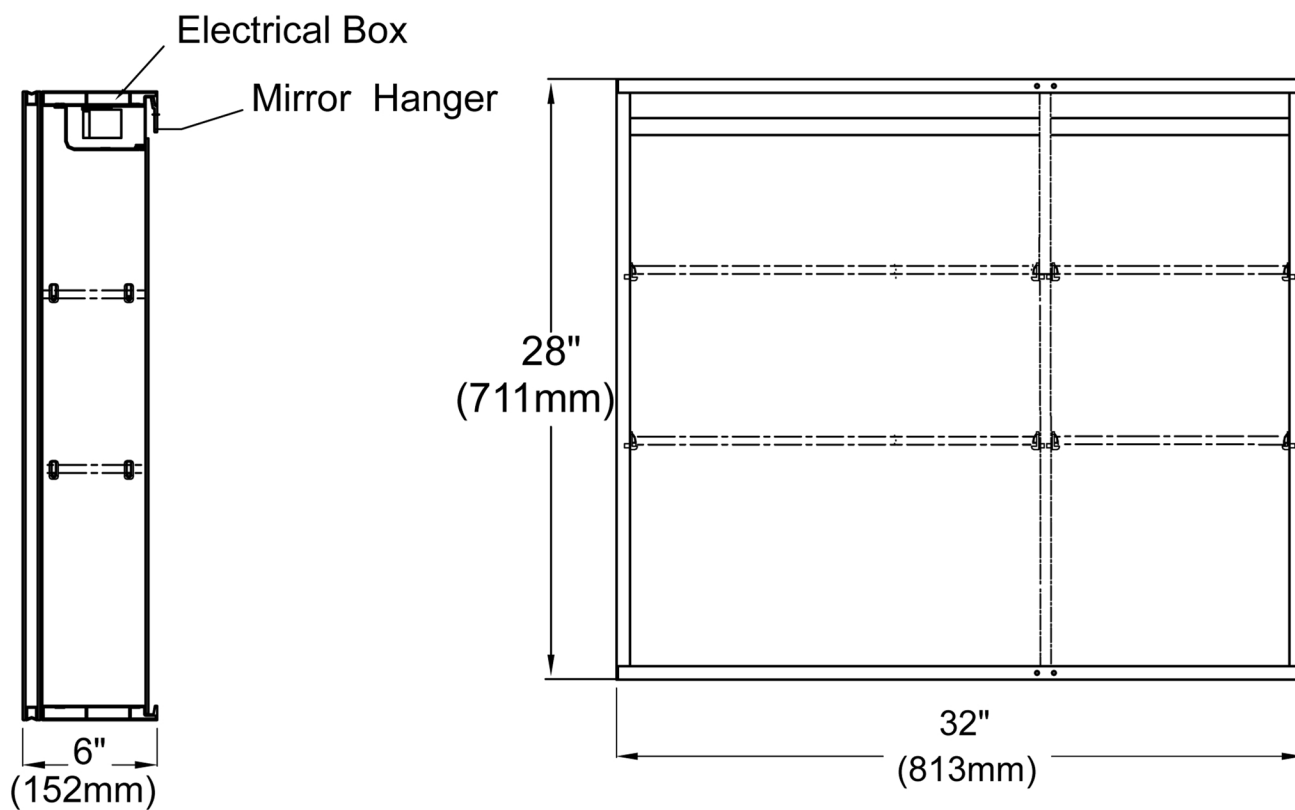
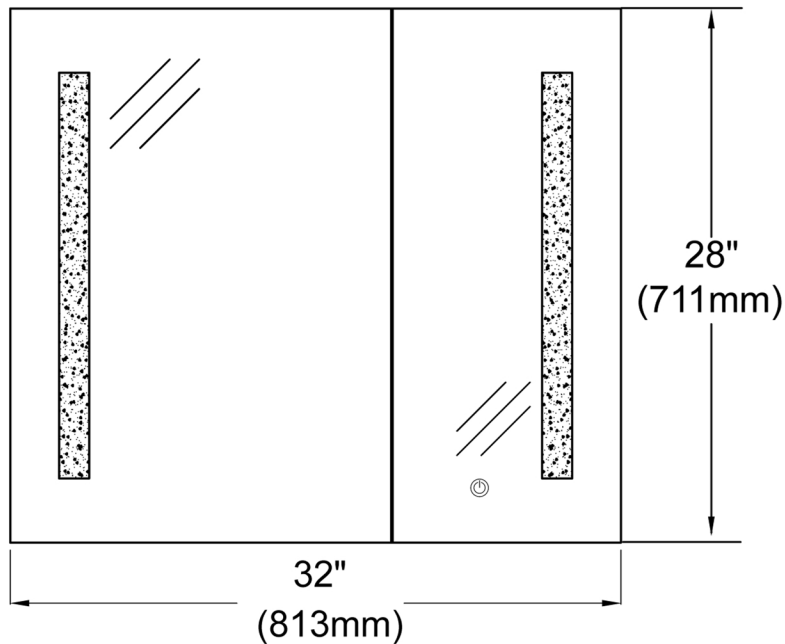
I have read the Owner's Manual carefully and understand and agree that any installation, operation or maintenance of the product must be done strictly in accordance with instructions and guidelines contained in the owner's manual and installation guide.

Signature..... Date.....

Have questions? Call us at 1-844-44-ANZZI or visit us at www.ANZZI.com

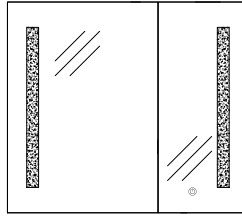
BA-LMDFVCB007AL

32"*28"



INSTALLATION INSTRUCTIONS

Apply to the below style of LED medicine cabinet



Please read carefully and save these instructions.

Don't discard any of the packaging until you are sure that you have all of the parts and the fittings.

Make sure power to the junction box is off before commencing installation.

IMPORTANT

- Unpack LED cabinet. DO NOT lay cabinet on tiled or concrete surface prior to installation. Cabinet must be on protected surface to prevent chipping of the corners.
- Care must be taken before drilling pilot holes to avoid any existing wiring or pipe work that may be concealed.
- A certified electrician must perform all work. The mirror must be connected to a GFI.

INSTALLATION

Please refer the installation diagram on next two installations manual.

- 1) Unpack the LED medicine mirror and prepare tools needed. (See Pic.1)
- 2) Make sure the measurement on the cardboard screw holes are matching up with aluminum base on the mirror back, then mark the screw holes according from the cardboard with pencil.(See Pic.2)
- 3) Drill holes, and put in the plastic expansion bolt, then fix the aluminum bar by screws. (See Pic.3&Pic.4);
- 4) Connect hardwire to power line. Make sure the power off(Voltage:AC110-120V, 50/60Hz).(See Pic.5)
- 5) Hang the cabinet on the wall; don't remove your hands until its safety. (See Pic.6)
- 6) According to your needs, put metal buckles into cabinet holes in suitable height, then install the glass shelves. (See Pic.7&Pic.8)
- 7) Find the correct door panels by referring to drawings.Place the door panel on the side panel of the cabinet. Secure the hinges on the system holes of the side panels of the cabinet , then install a buffering hinge on each of the two cabinet panels.(See Pic.9&Pic.10)
- 8) Connect the DC line of the cabinet door panel to the electrical box .(See Pic .9)
- 9) Connect the lower end of wall with the cabinet body by using the corner brace.(Pic .11)

FUNCTION DESCRIPTION

Turn the light and anti-fog function by the dimmable sensor switch , see details as below:

Button:

- a) Touch the button for LED light and anti-fog control;
- b) Long press button for dimming. It will change the LED brightness from 10%-100%.

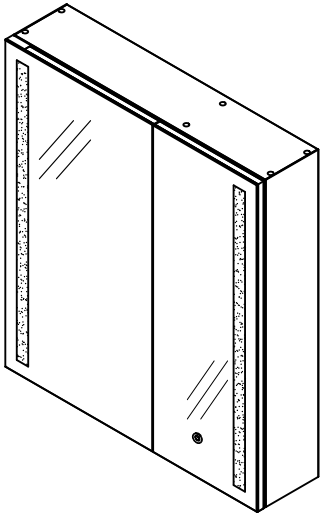
MAINTENANCE

Wipe clean with a soft damp cloth. Apply glass cleaner to cloth and do not apply directly to mirror.

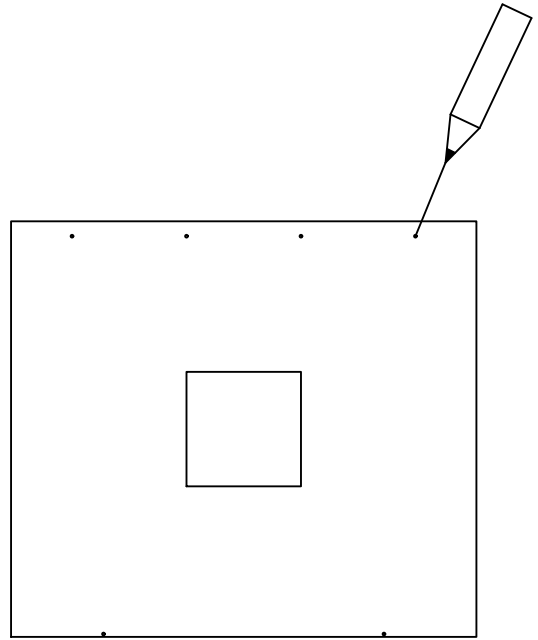
Never use abrasive cleaners as these could damage the finish or exposed LEDstrip

INSTALLATION DIAGRAM

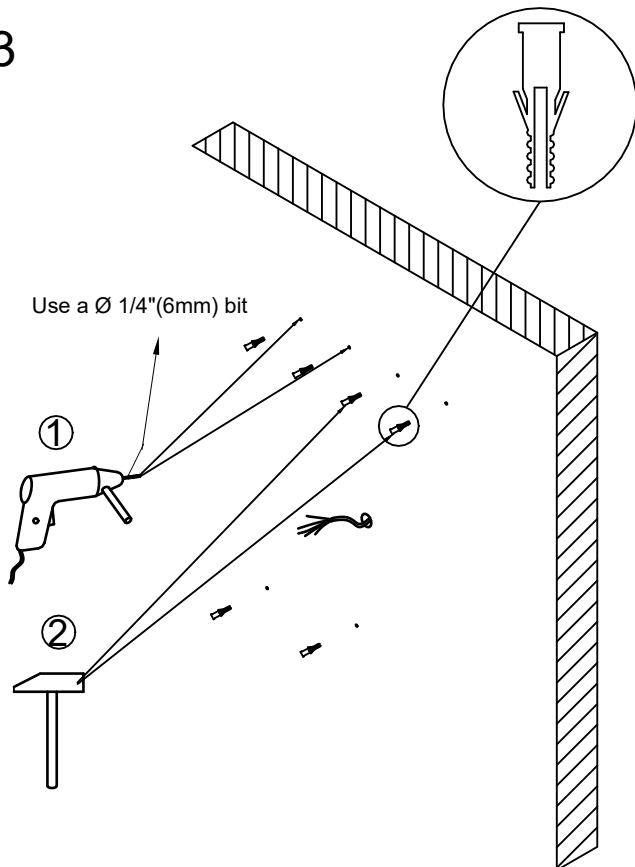
1



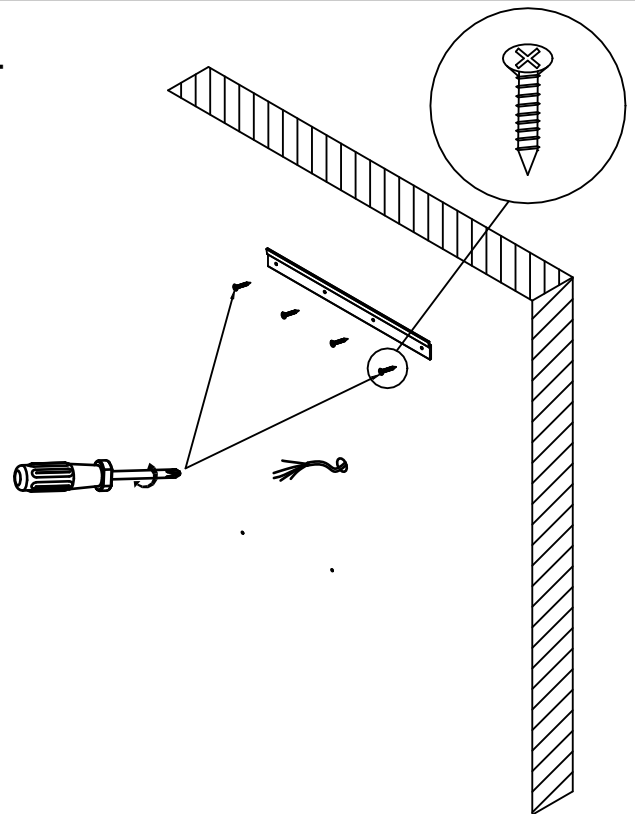
2



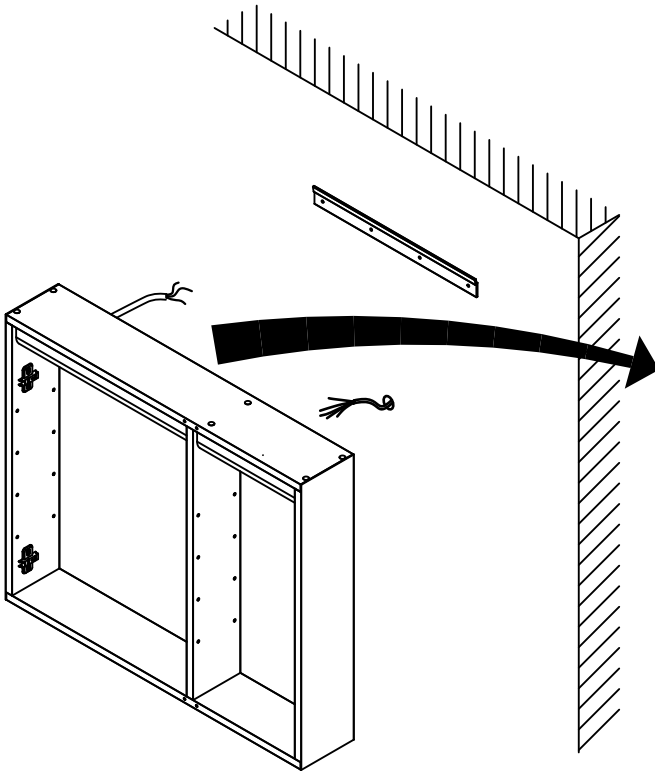
3



4



5



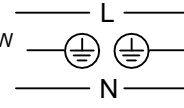
WIRING DETAILS

INCOMING SUPPLY

SWITCHED LIVE

EARTH (GREEN/YELLOW SLEEVED COPPER)

NEUTRAL

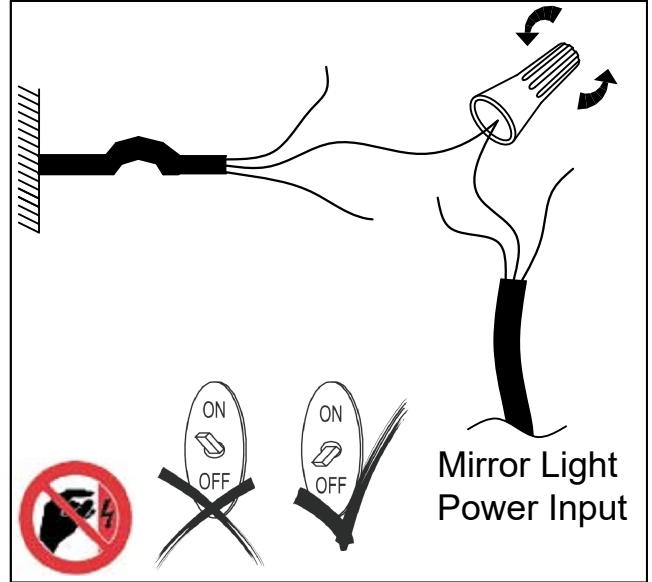


MIRROR WIRING

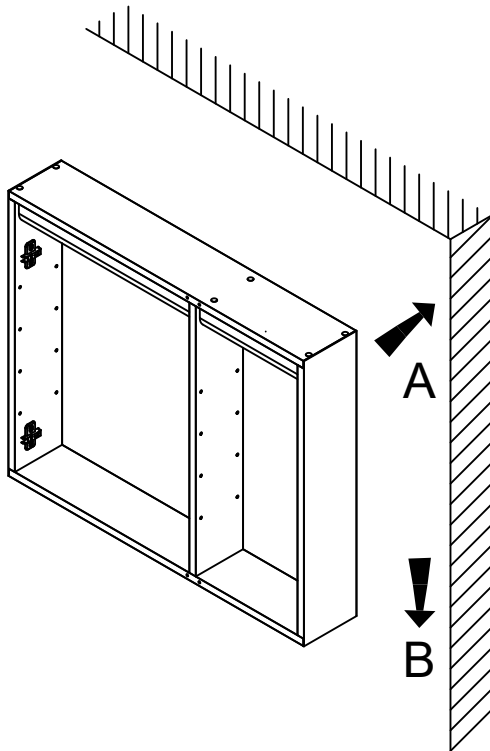
BLACK or LABELED - L

GREEN - E

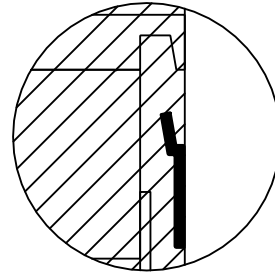
WHITE or LABELED - N



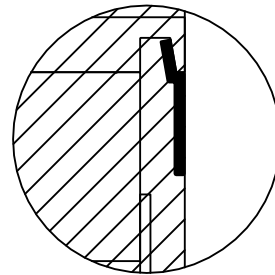
6

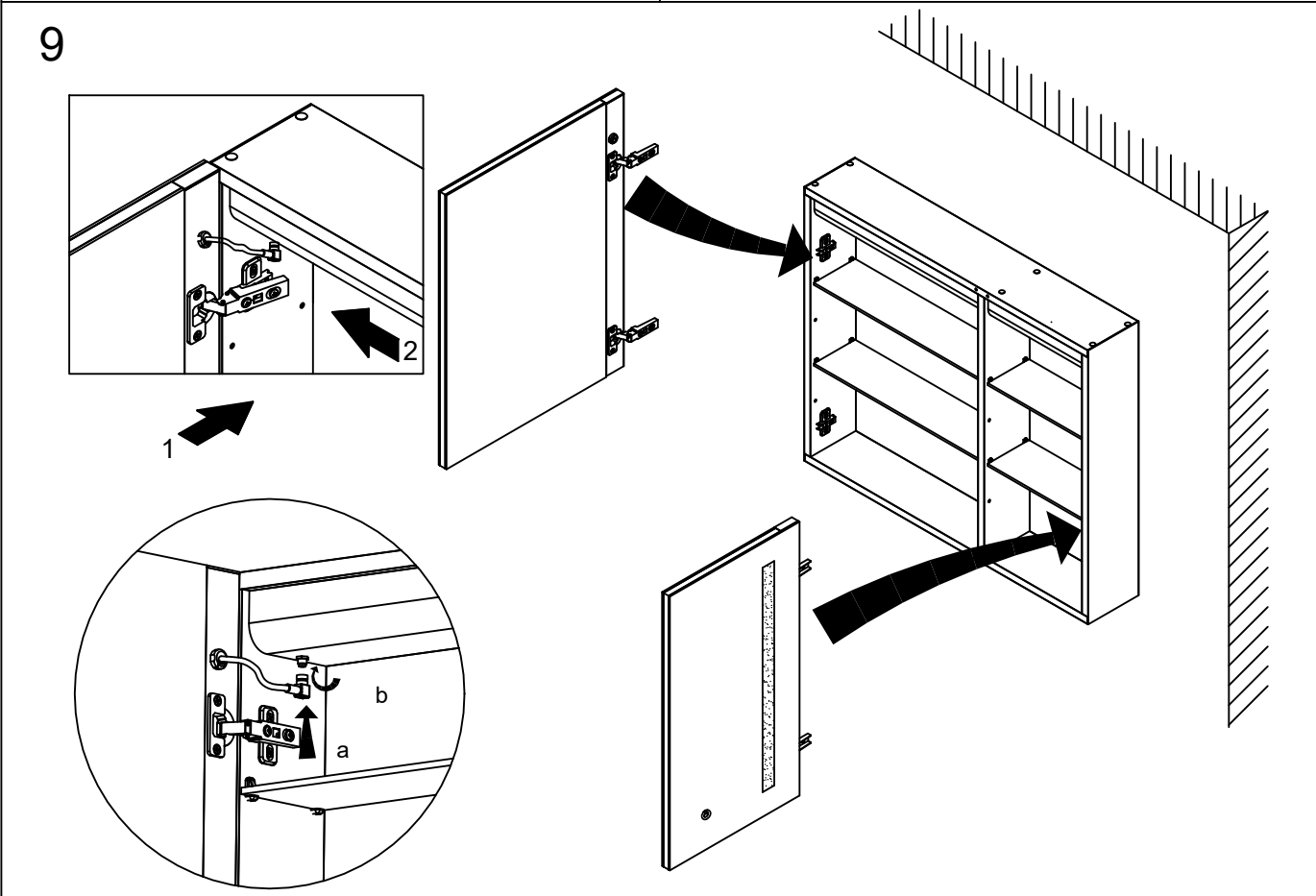
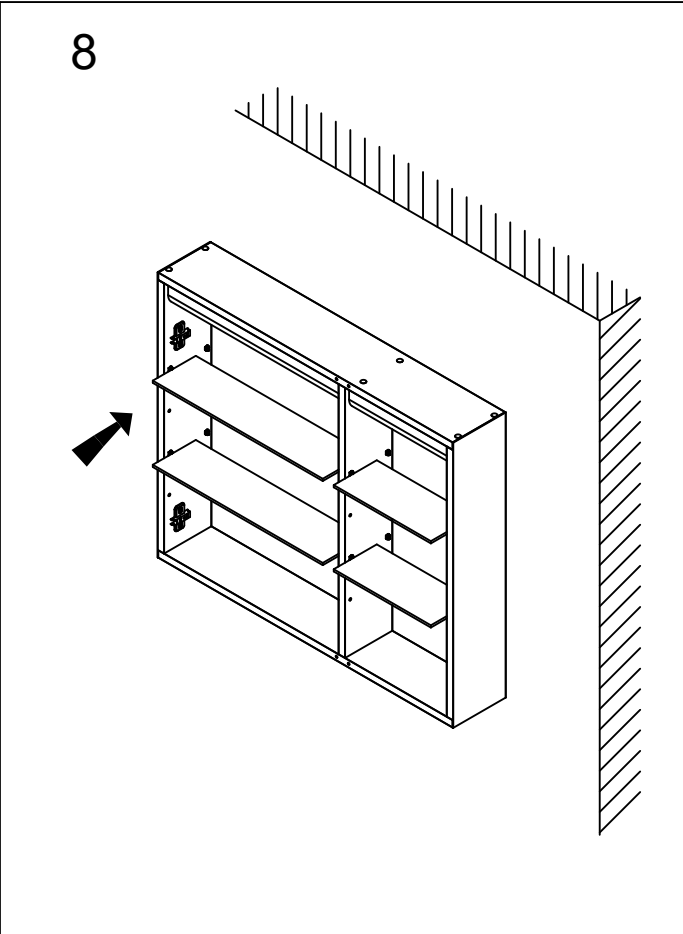
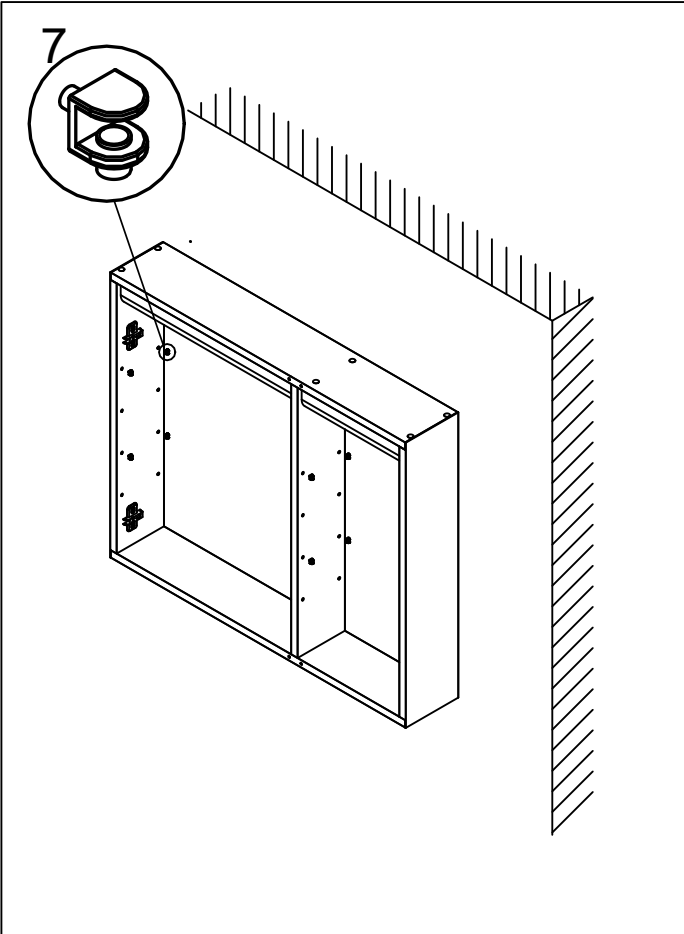


A

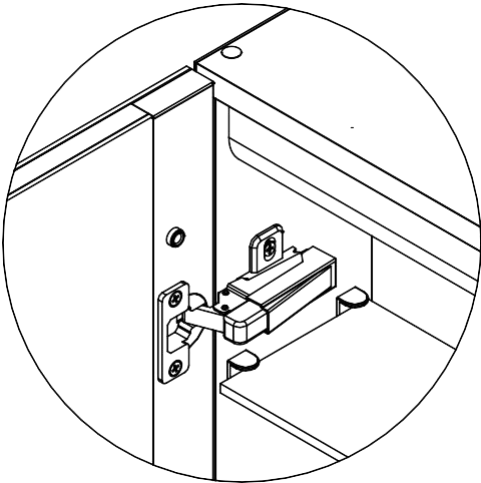


B

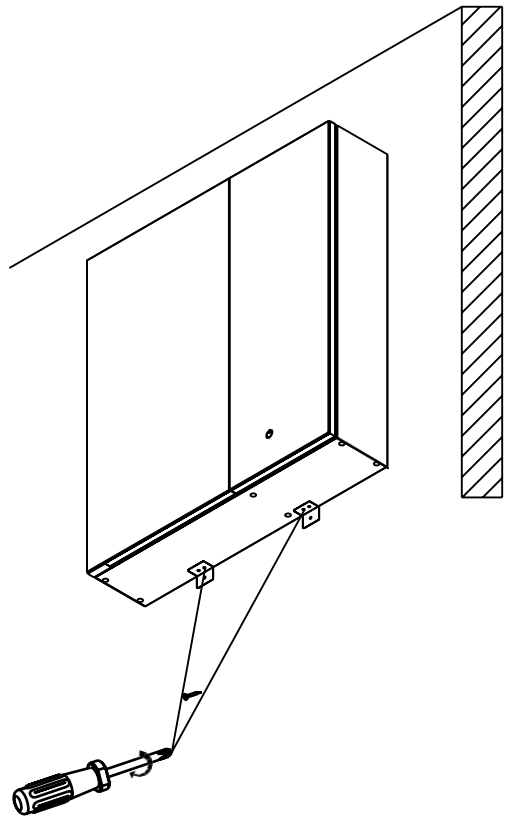




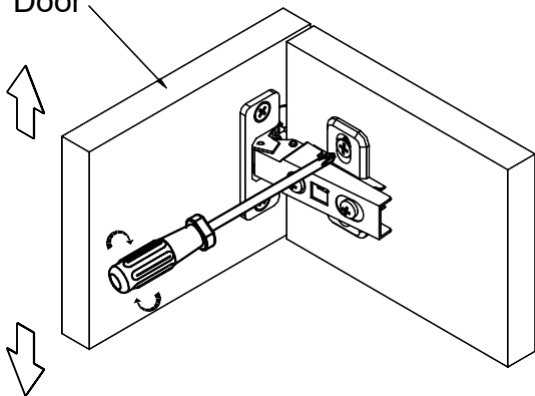
10



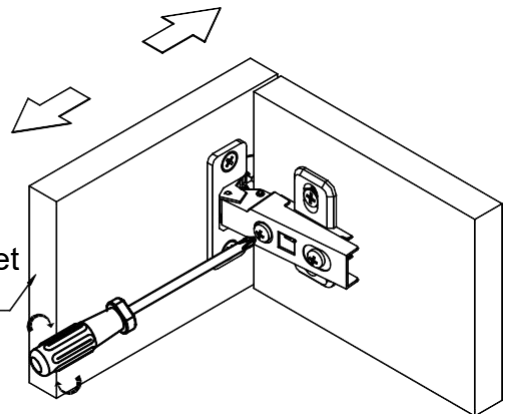
11



Mirror Cabinet Door



Mirror Cabinet Door



Mirror Cabinet Door

