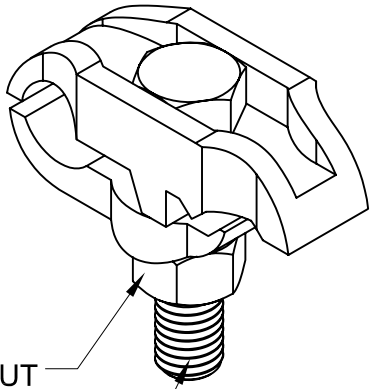
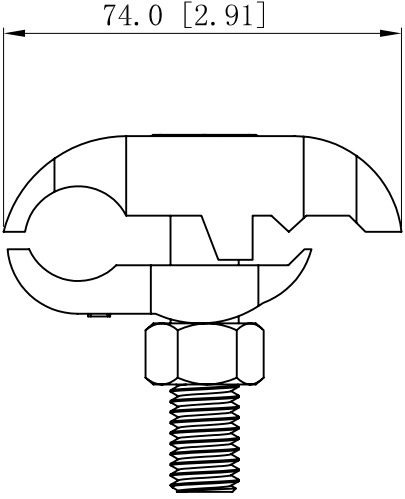
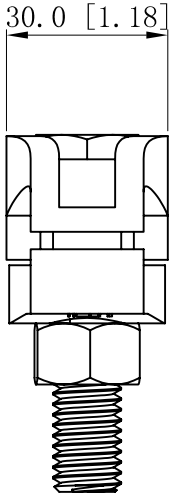
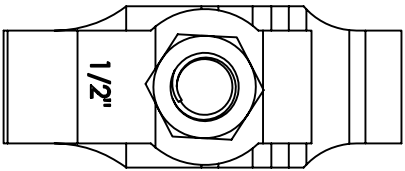


| | |
|--|--------|
| SIDES | BOTTOM |
| | |
| | |
| | |
| 1 pcs #1/2-13×2-1/4 screw install | |
| 1 pcs #1/2-13 hex nut install | |
| Material: malleable casting, Zinc plated | |



#1/2-13 HEX NUT

#1/2-13 SCREW



| |
|-----------------------|
| DESCRIPTION |
| |
| TRADE REFERENCE TERMS |
| |

| |
|------------------|
| STANDARD PACKING |
| 50 PCS |

This data sheet is for reference only .GARVIN INDUSTRIES reserves the right to make changes to the design without prior notice.

| | | |
|--------------------------|------------------|-----|
| GARVIN INDUSTRIES | | |
| CONDUT CLAMPS | | |
| SIZE A4 | DWG NO. PAR50 | REV |
| DATA SHEET | | |