



Please read the following instructions carefully.

Keep this instruction manual and
save for future reference.

For technical support, contact us at **1-401-671-6551**
or **www.summerinfant.com/contact**

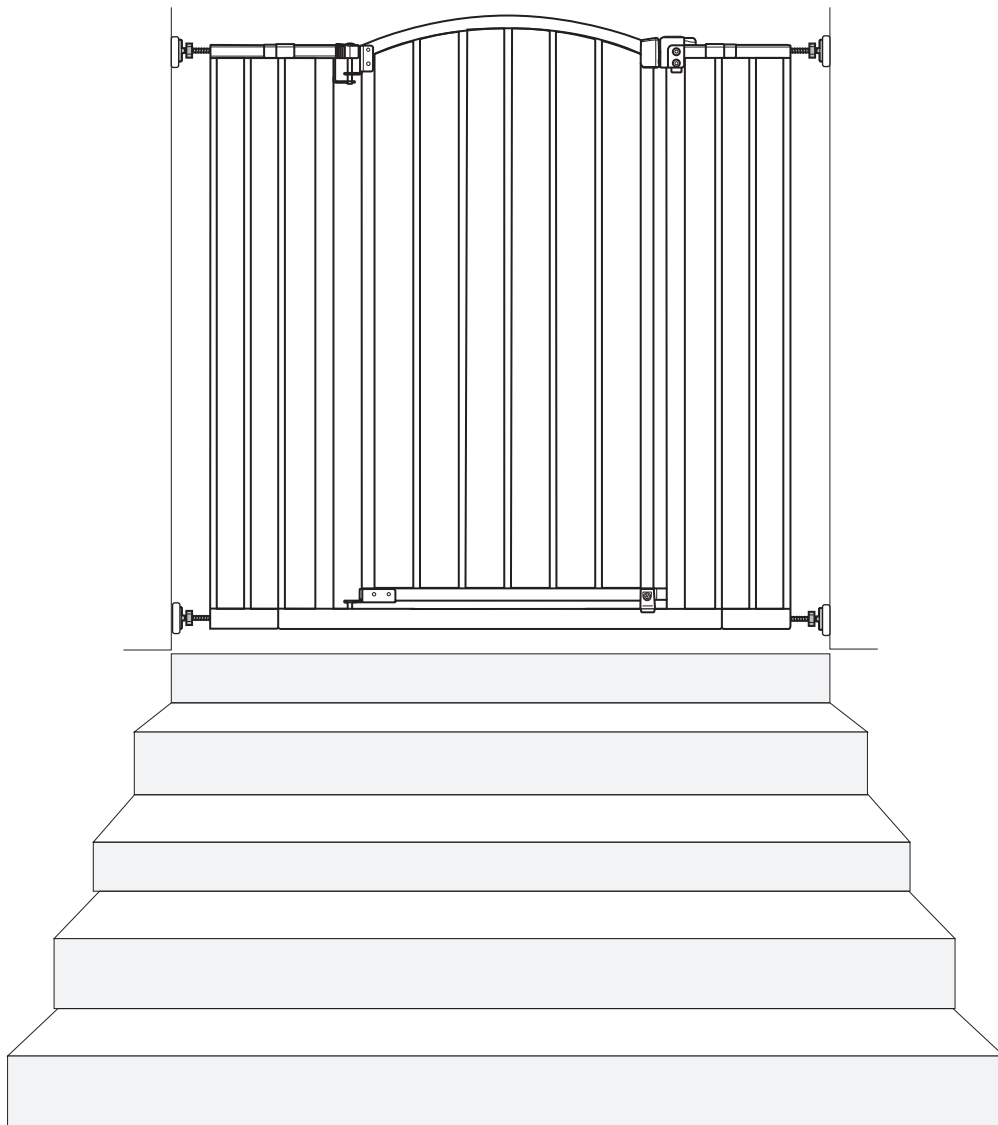
Tools required: Phillips-head screwdriver (not included),
measuring tape (not included),
and wrench (included).

For use with children from 6 - 24 months.

Keep small parts away from children.

Adult assembly required.

Fits openings from 28" - 42" wide.



Extra Tall Décor Safety Gate

USER MANUAL

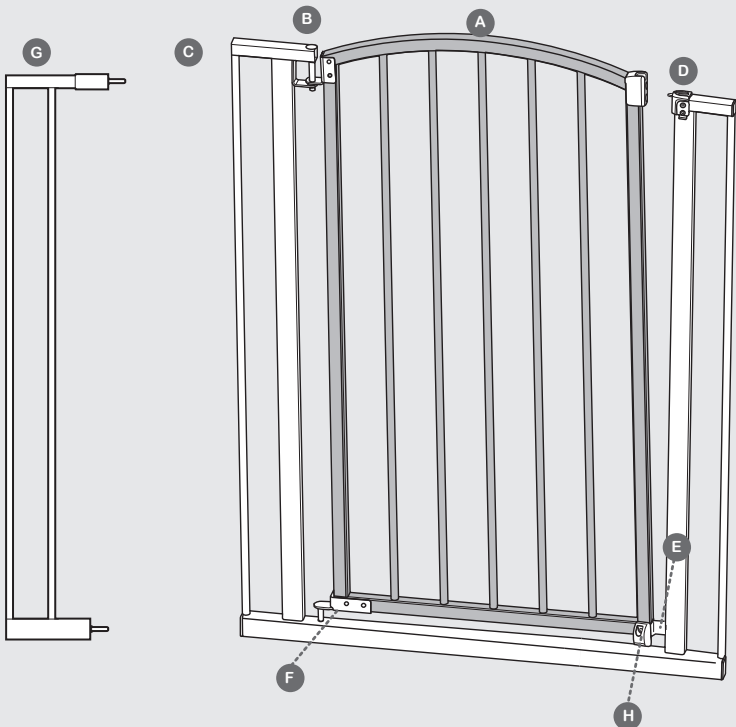
⚠ WARNING

Children have died or been seriously injured when gates are not securely installed.

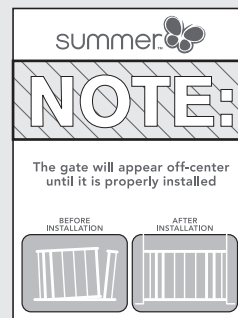
- ALWAYS install and use gate as directed using all required parts.
- Install according to manufacturer's instructions.
- Stop using when a child can climb over or dislodge the gate.
- Use only with the locking/latching mechanism securely engaged.
- To prevent falls, never use at top of stairs without wall mounting cups and door stopper.
- You MUST install wall cups to keep gate in place. Without wall cups, child can push out and escape.
- **NEVER** use a gate to keep child away from pool.
- **NEVER** leave child unattended.
- **ALWAYS** close and lock the gate behind you.
- This product will not necessarily prevent all accidents. Proper adult supervision is required at all times.
- Do not use if any components are missing or damaged.
- Adult assembly required. Exercise care when unpacking and assembling product.

⚠ CAUTION: KEEP SMALL PARTS OUT OF CHILD'S REACH.

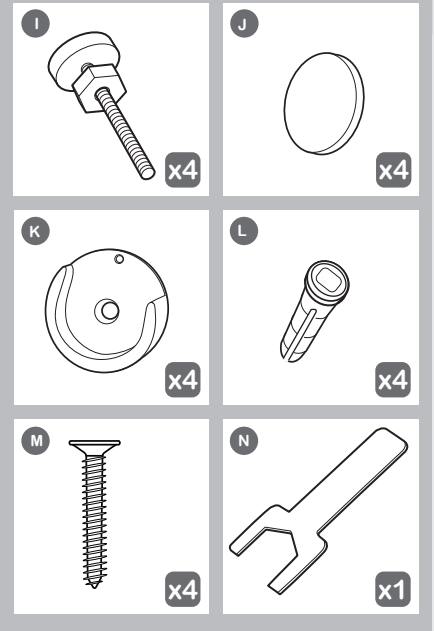
components



NOTE:
The gate will appear off-center until you add the tension bolts, mount it into the door frame and tighten the bolts according to the instructions.



hardware



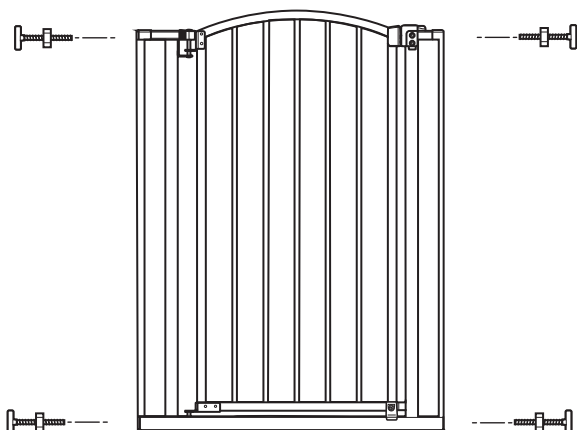
- | | | |
|---------------------------------|--|---------------------------|
| A Gate Door | G Small Extension Frame (2) | L Wall Anchors (4) |
| B Gate Frame Hinge | H Door Latch | M Wall Screws (4) |
| C Gate Frame Hinge Side | I Tension Bolts with Tension Nuts (4) | N Wrench |
| D Gate Frame Latch Side | J Adhesive Mounting Pads (4) | |
| E Door Stopper | K Wall Cups (4) | |
| F Lower Gate Frame Hinge | | |

gate configurations (choose which best fits your scenario)



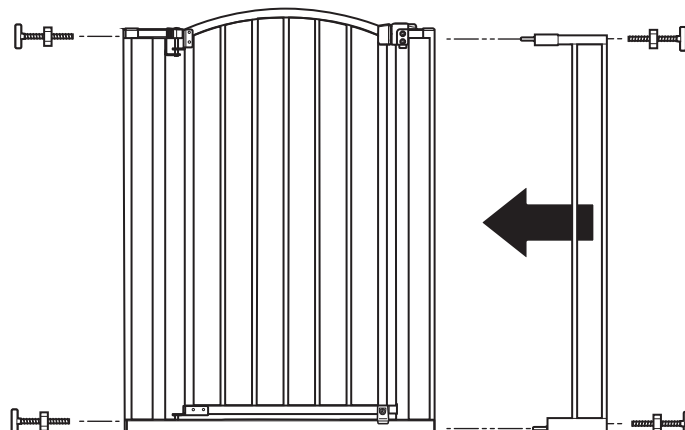
Measure the width of the opening where you intend to install the gate. Refer to the following illustrations to determine the correct installation configuration. Baseboard molding may change which configuration is appropriate.

A



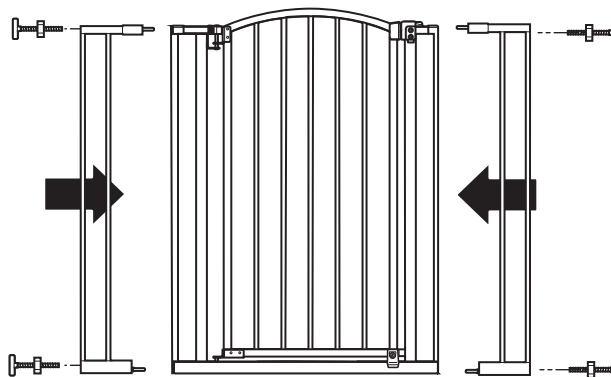
(28" - 30.25") without extension frames

B



(31.5" - 34.25") with one extension frame

C



(35.5" - 38.25") with two extension frames



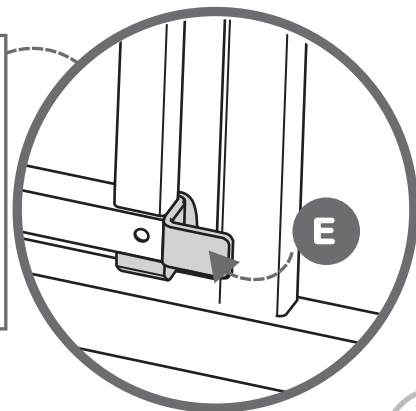
Note: This instruction book illustrates installation of gate configuration C.

If choosing gate configuration A, skip ahead to step 2. Otherwise, follow step 1 using the appropriate extension frames that best fit your scenario.



Important: Gate includes a door stop (part E) which prevents the gate from swinging open in one direction.

When installing the gate at the TOP OF STAIRS, be sure that the door stop is used so the door cannot open over the stairs.

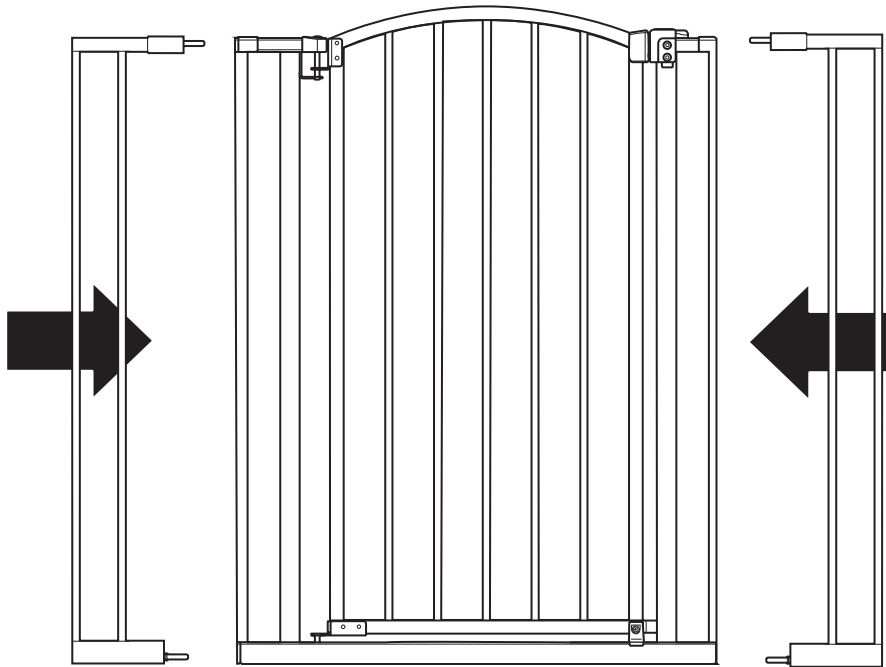


installation

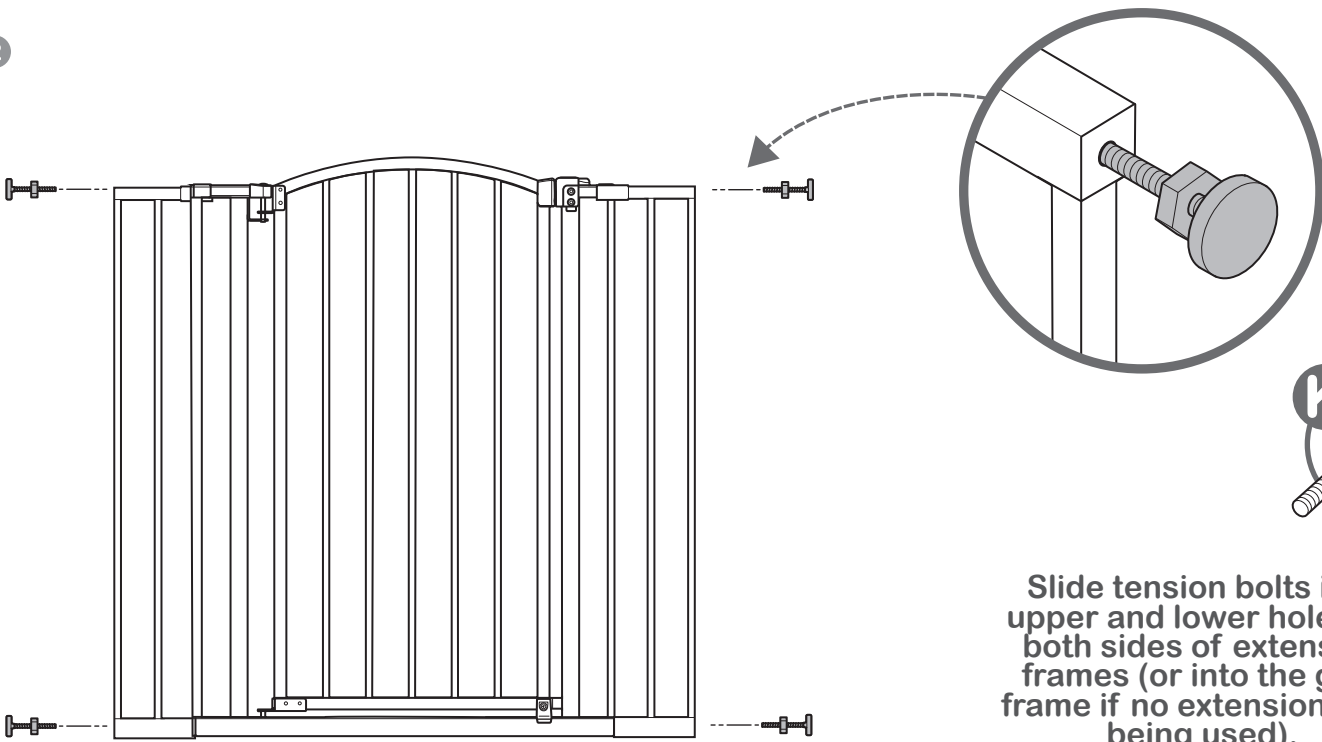
1



- If choosing gate configuration A, skip this step.
- If choosing gate configuration B or C, add the desired extension frames to either side of the gate frame.



2



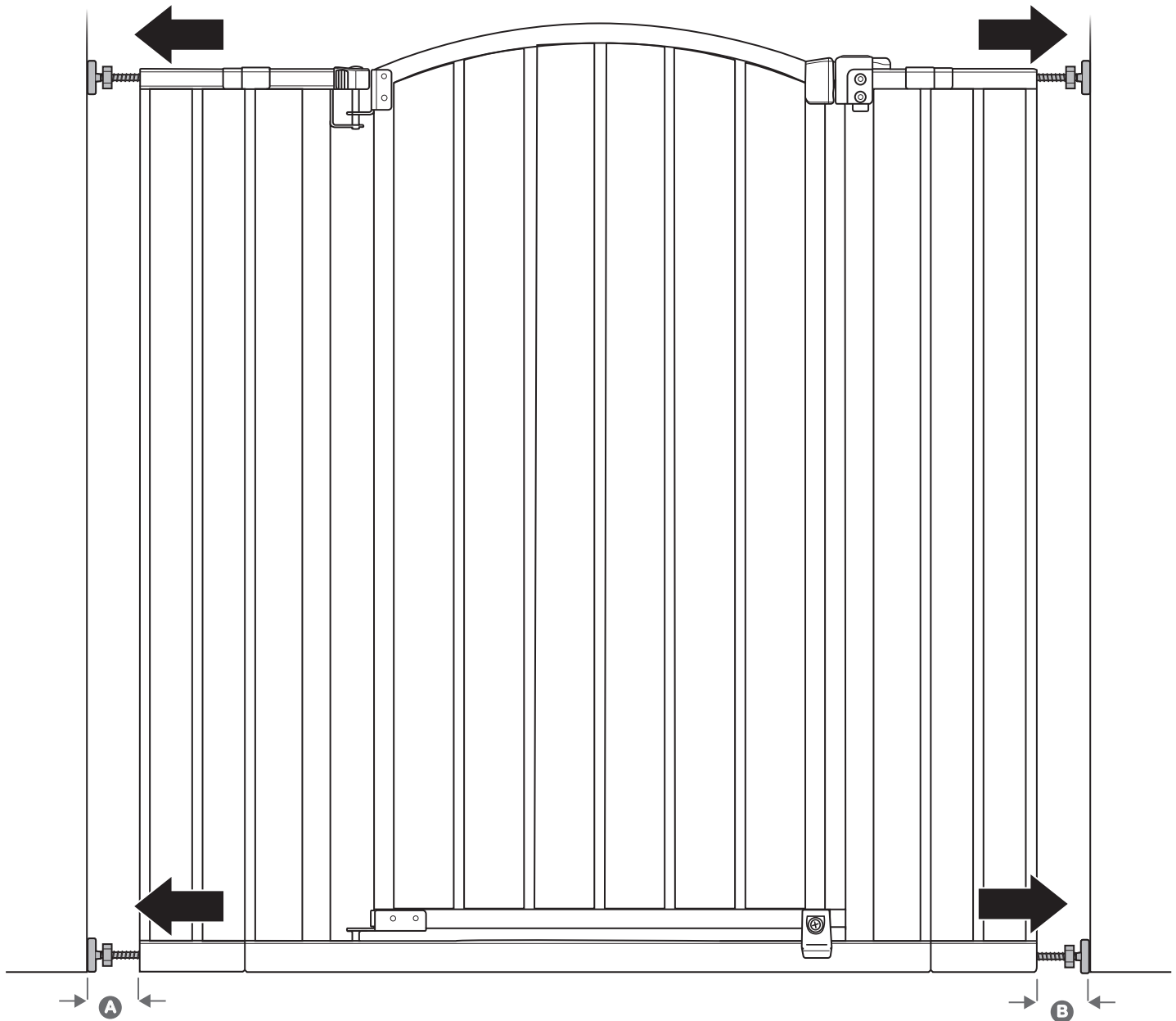
Slide tension bolts into upper and lower holes on both sides of extension frames (or into the gate frame if no extensions are being used).

Checking the gate fit in the door frame

3

A. Stand the gate in the center of the opening. Make sure the bottom of the gate is completely flush to the floor.

B. Slide tension bolts out until they contact the door frame or wall on both sides.

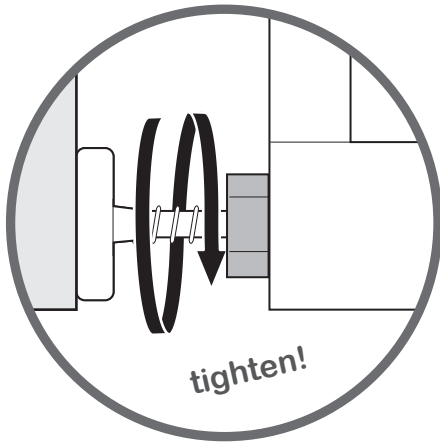


⚠ IMPORTANT

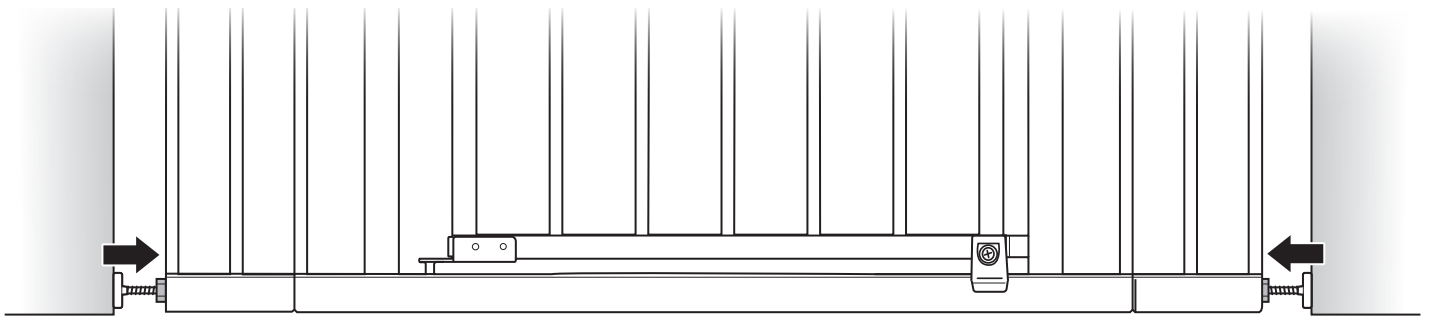
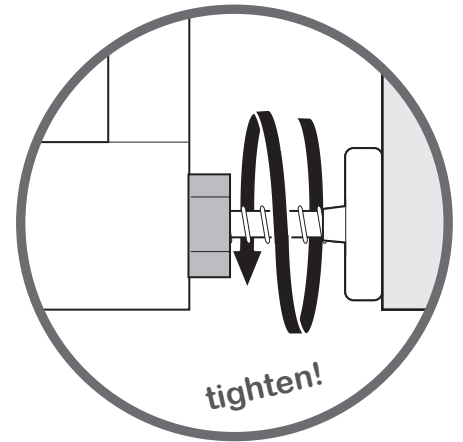
Check distances A & B. The distance between the gate and the wall should never exceed 2.75 in.

Checking the gate fit in the door frame (cont.)

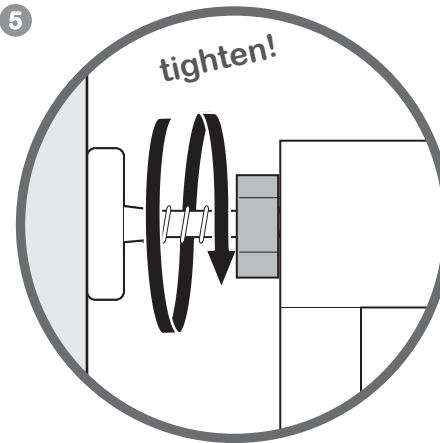
4



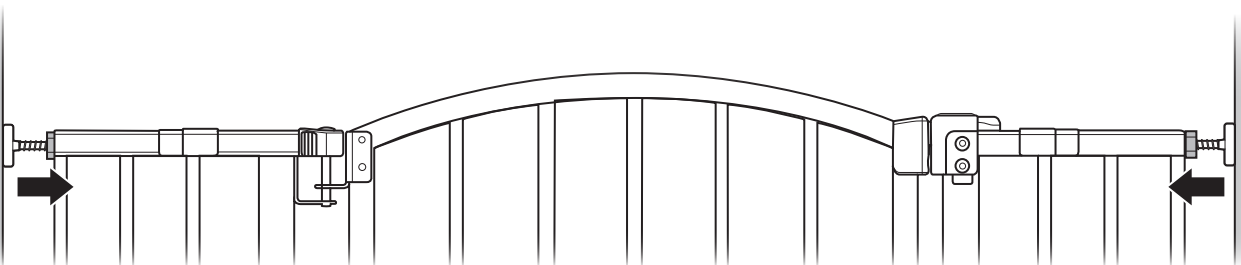
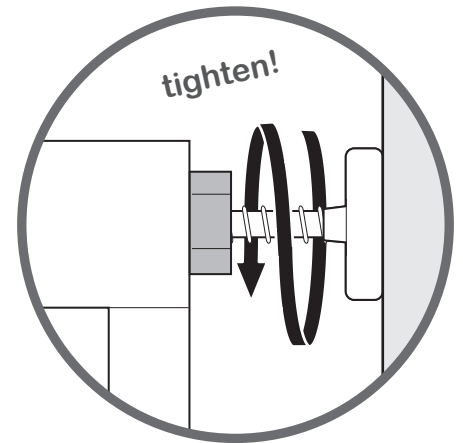
Use the tension nuts to tighten both of the bottom tension bolts.



5



Use the tension nuts to tighten both of the top tension bolts.



Proceed to Wall Cup Installation section once check is complete.

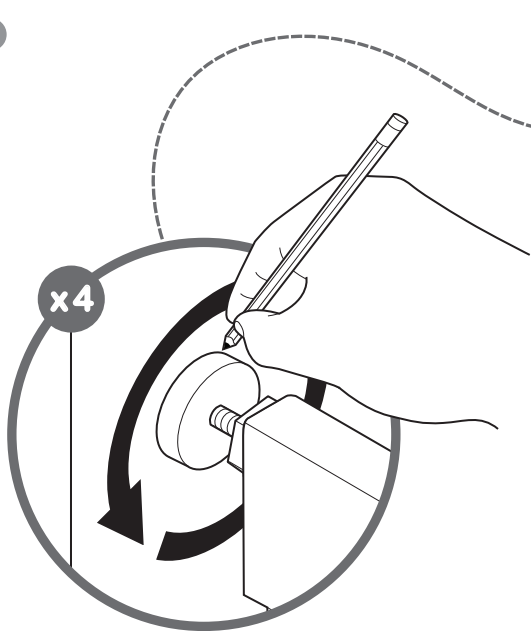
6

wall cup installation

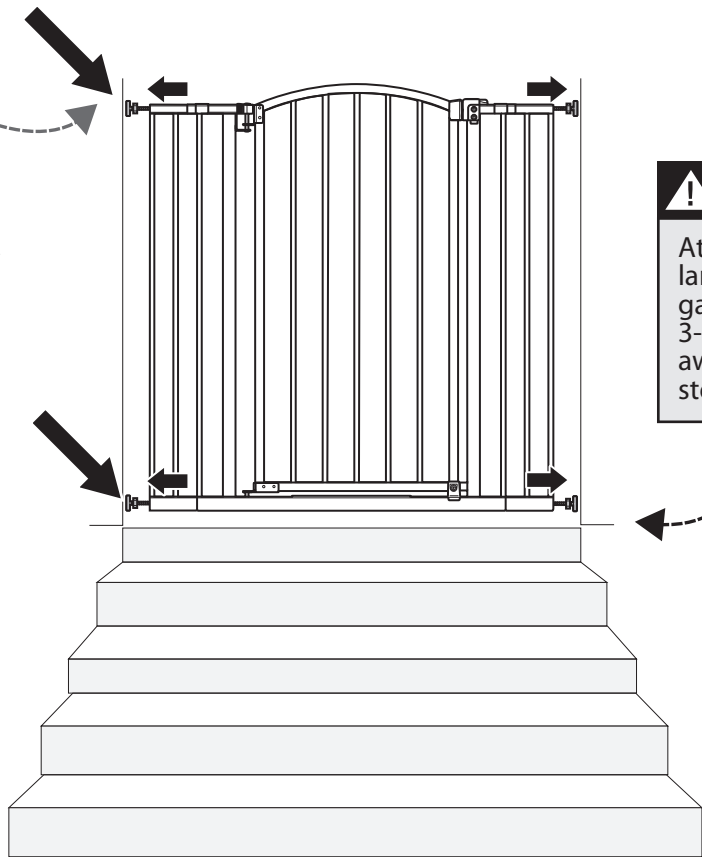
! WARNING

You **MUST** install wall cups to keep gate in place. Without wall cups, child can push out and escape.

1



With a pencil, trace the entire outline of each tension bolt directly onto the wall.

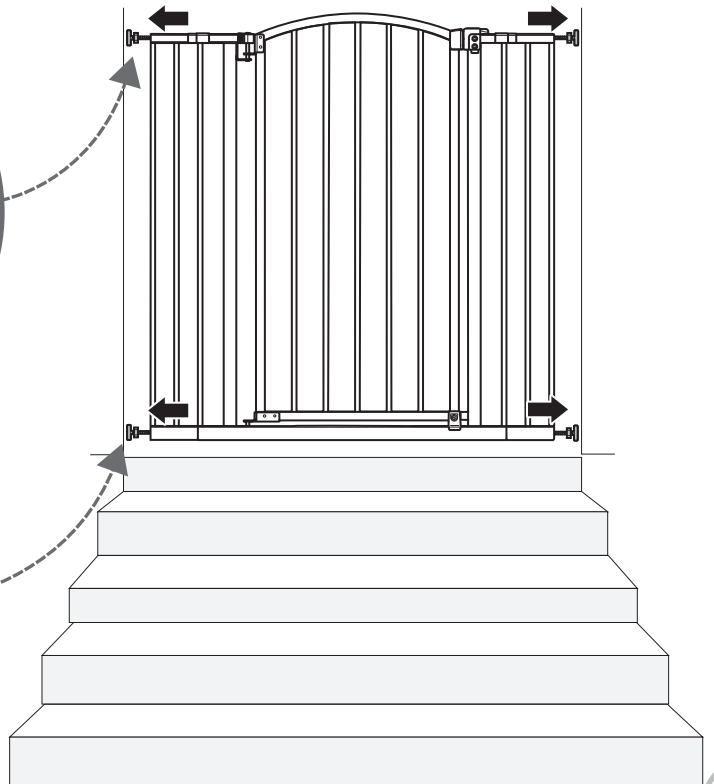
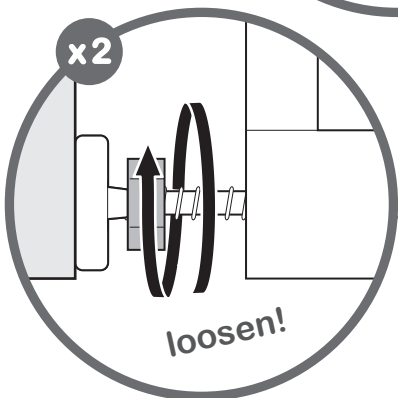
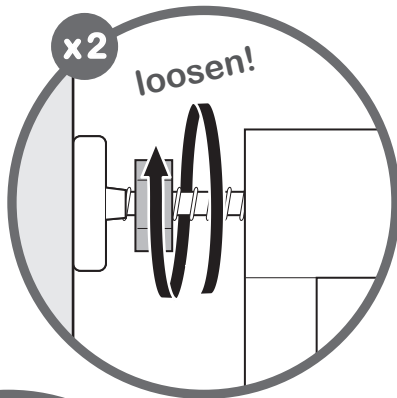


! IMPORTANT

At the top of the landing, position the gate a minimum of 3-6 inches (8-15cm) away from the top step.

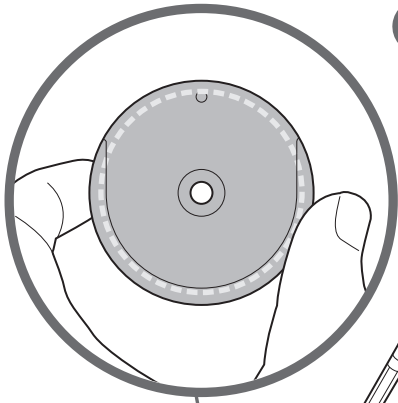
2

Loosen the lower and upper tension nuts and remove gate.



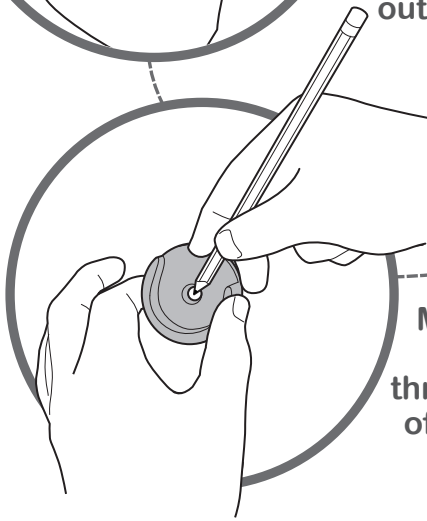
wall cup installation (continued)

3



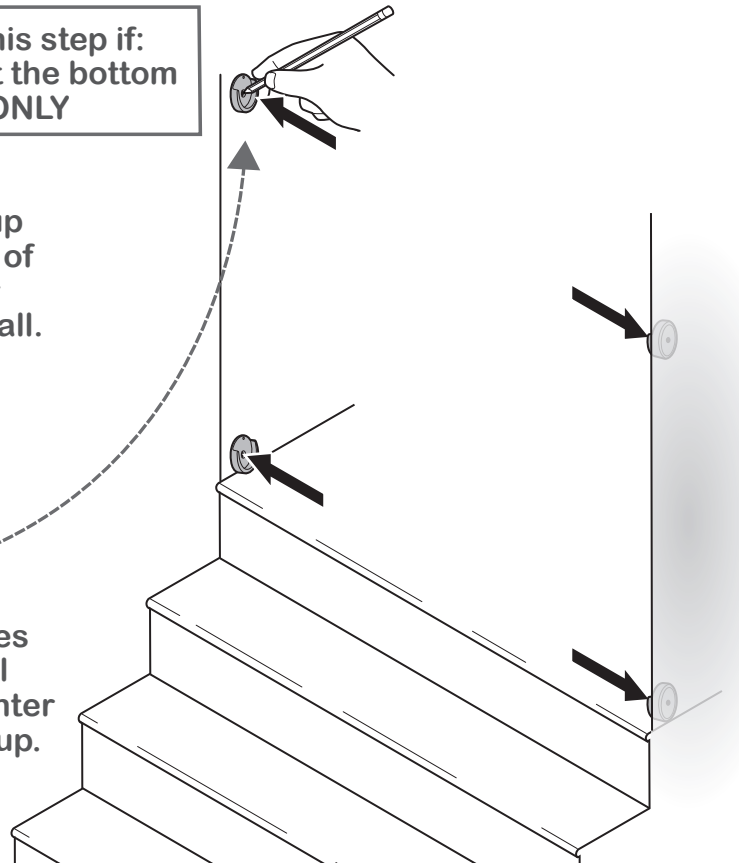
NOTE: Skip this step if:
- if installing at the bottom
of the stairs **ONLY**

Place a wall cup
over the center of
each circular
outline on the wall.



Mark drill holes
with a pencil
through the center
of each wall cup.

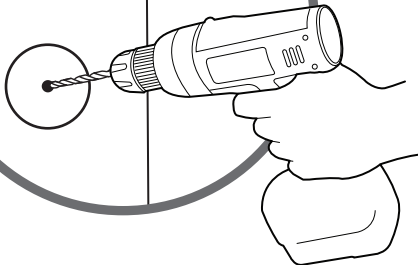
x4



4

1st

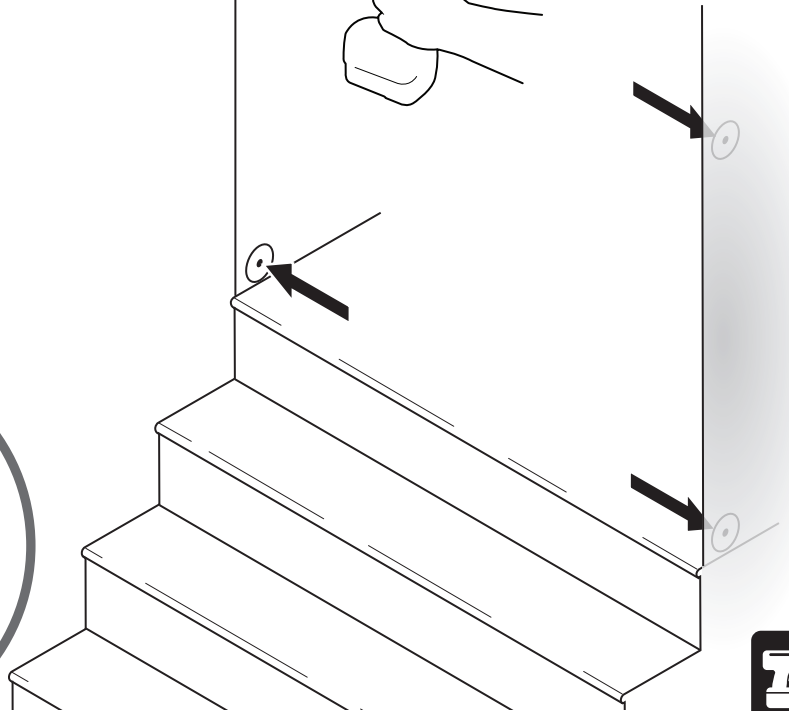
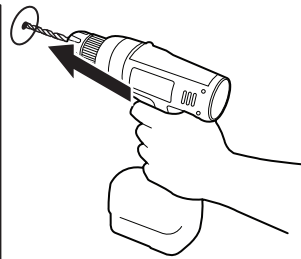
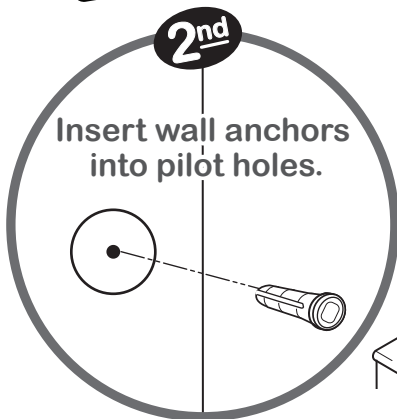
Drill a 7/32" pilot hole
into each of the 4
center marks.



NOTE: Skip this step if:
- mounting directly into wood,
- if installing at the bottom
of the stairs **ONLY**

2nd

Insert wall anchors
into pilot holes.



wall cup installation (continued)

5

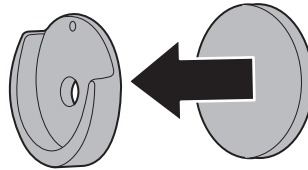
1st

Remove backing from one side of each adhesive mounting pad.



2nd

Attach one pad to the back of each wall cup.



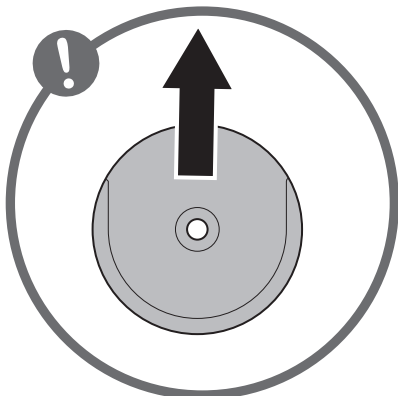
3rd

Remove backing.

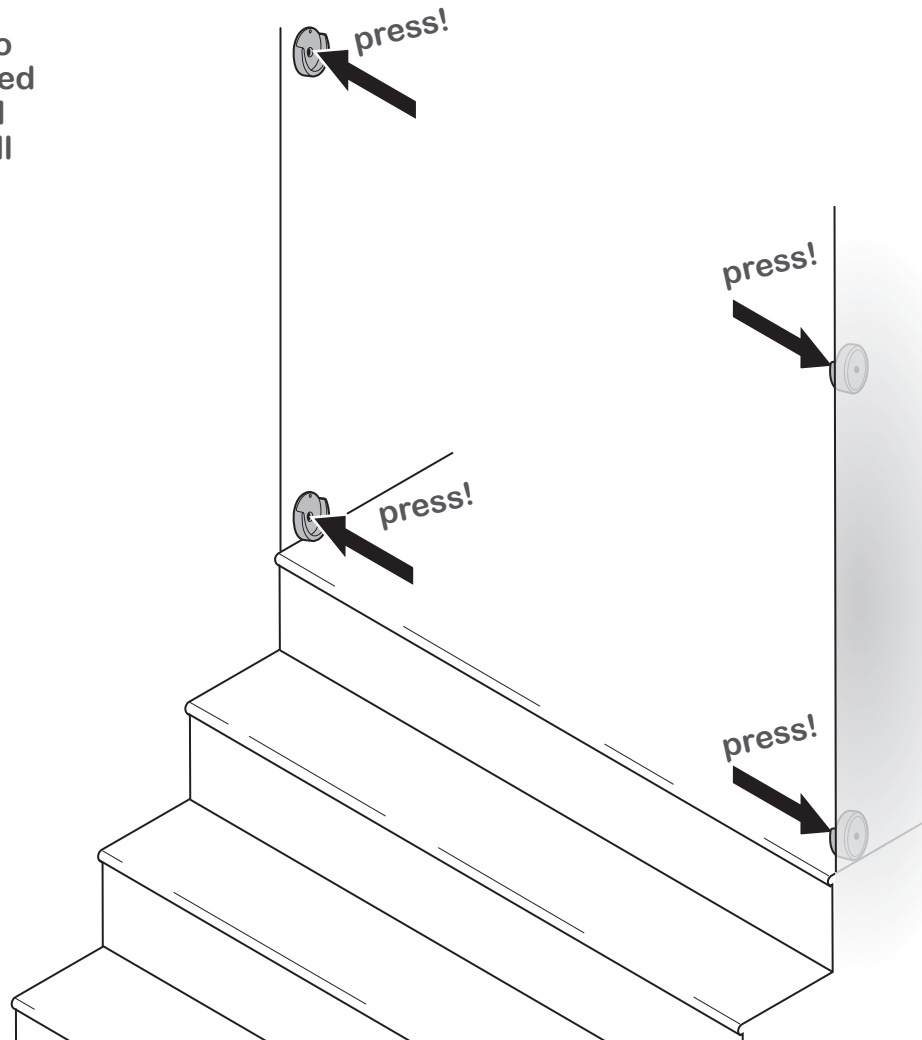


6

Align the wall cups so the center hole is placed directly over the wall anchor. Stick the wall cups to the wall.



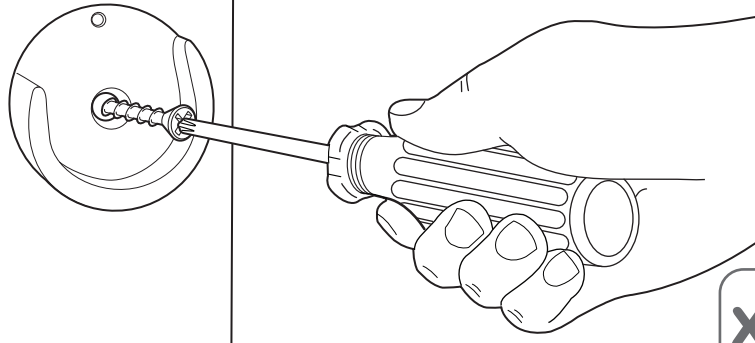
Make sure all wall cups are facing up.



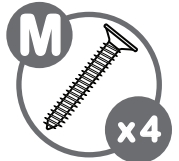
wall cup installation (continued)

7

Screw wall cups into wall.



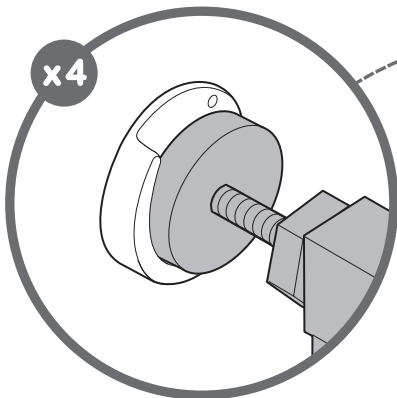
NOTE:
Screws are **ONLY** required for top of stair use.



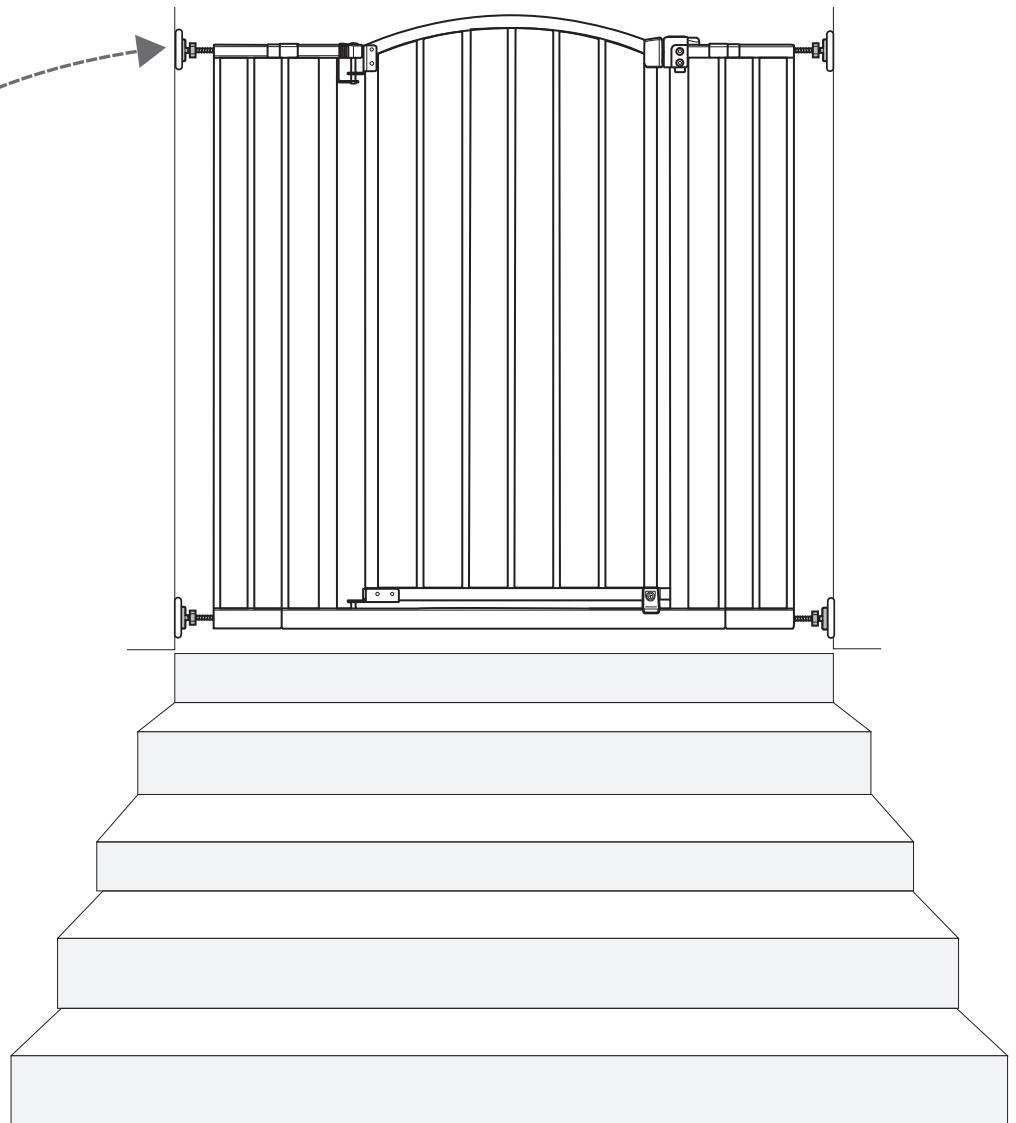
x4



8

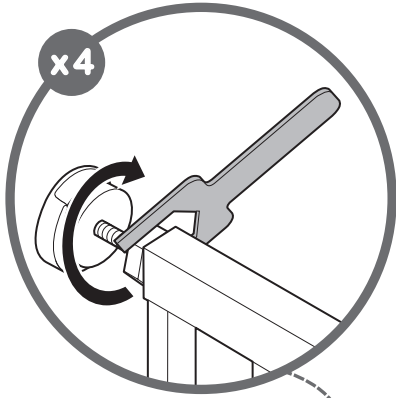


Repeat "installation" steps on page 7&8.
The 4 tension bolts will rest within each wall cup.



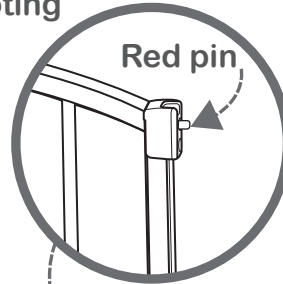
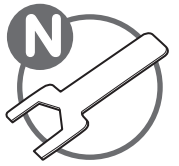
wall cup installation

9

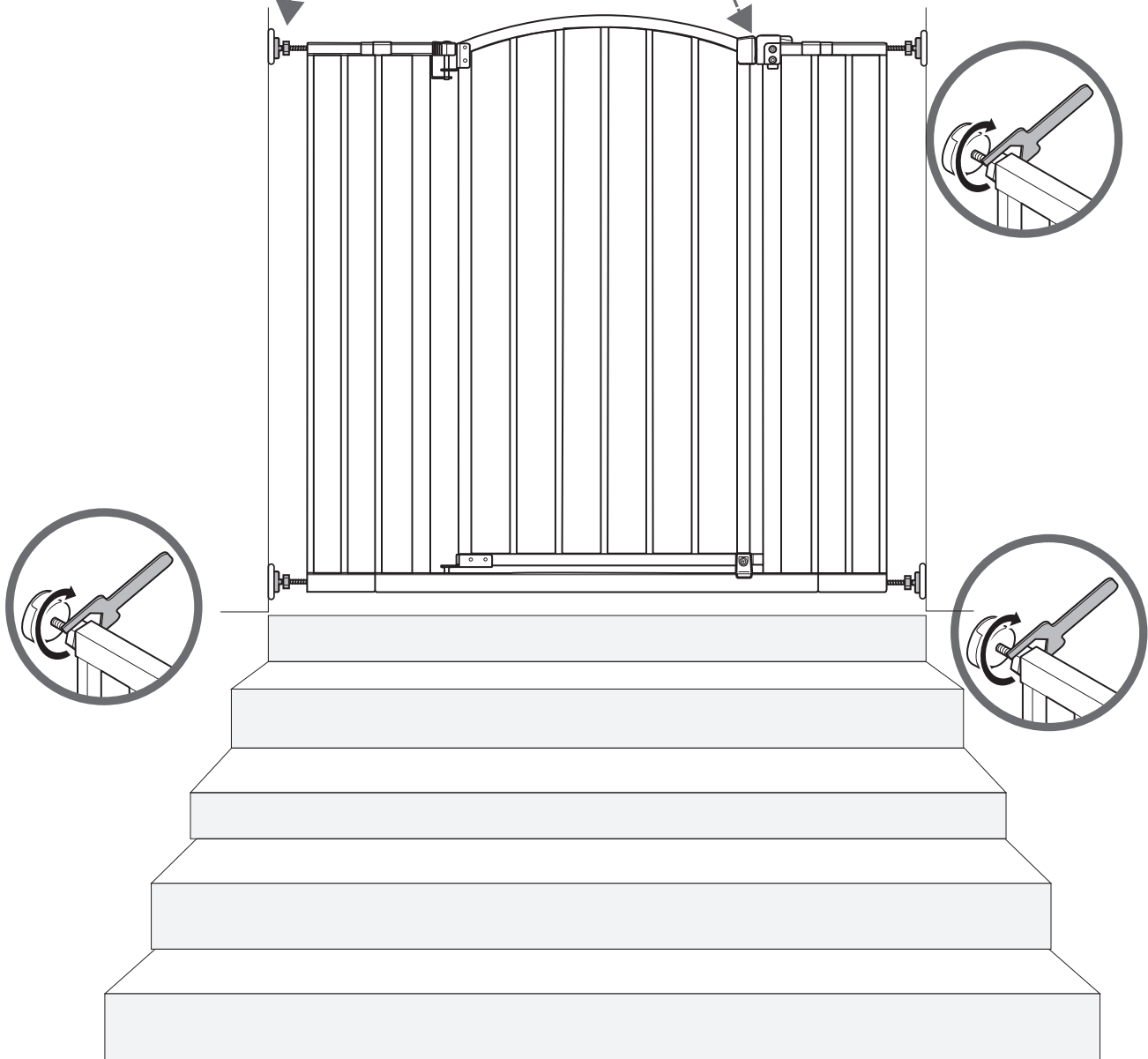


Tighten all 4 tension nuts with the provided wrench.

If any problems installing, refer to trouble shooting on page 16.



Make sure when tightening the bolts the red pin on the door is not visible when the door is closed.

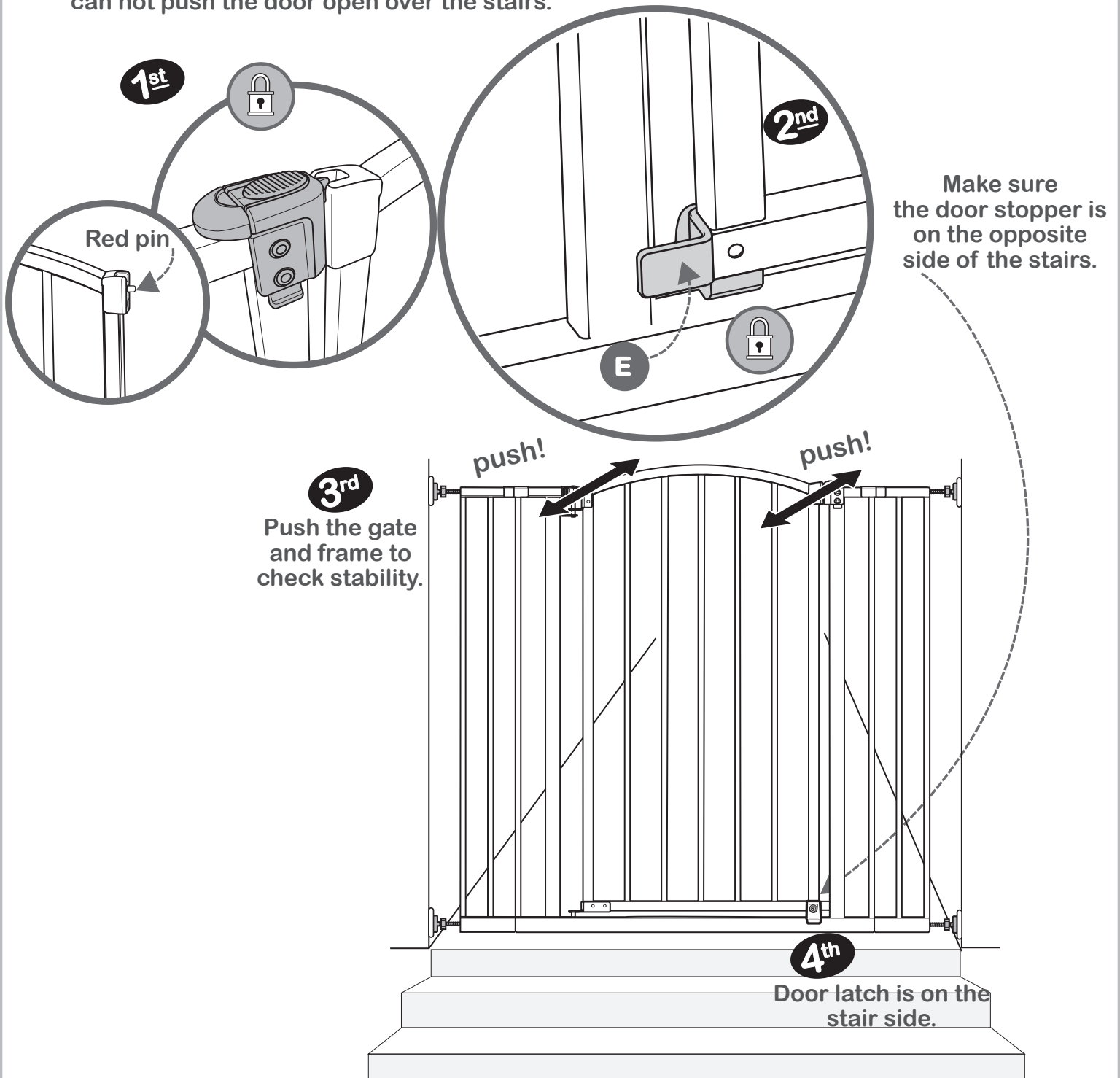


FINISHED!

confirming the installation

1. Close the gate. Make sure the upper latch is locked securely and the red pin is not visible when the door is closed.
2. Make sure the gate is installed with the door stopper opposite side of stairs.
3. Push on the gate to check.
4. Door latch is on the stair side.

! Important: Gate includes a door stopper (part E) which prevents the gate from swinging open in one direction. When installing the gate at the top of stairs, be sure that the door stopper is on the opposite side from the stairs so if a child was at the top of the stairs they can not push the door open over the stairs.





to unlock gate:

First, slide locking tab back to release. Second, lift gate door up and then swing out to open.



troubleshooting

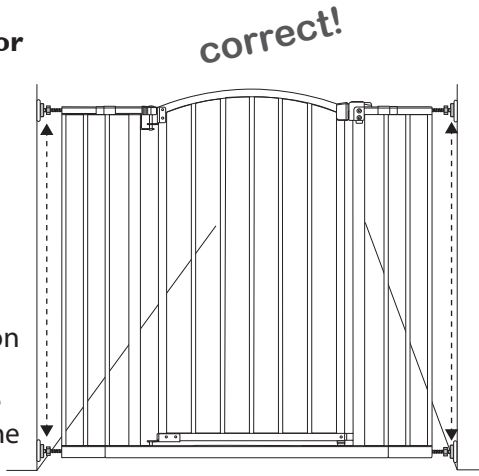
If the gate does not close properly:

1. Gate is not properly aligned in the door frame.

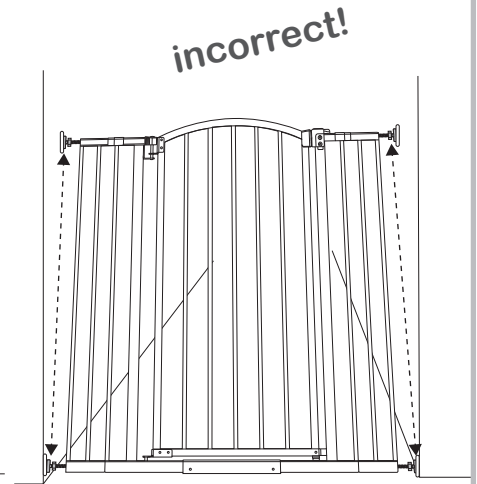
Solution: To adjust the gate's alignment, loosen all four tension bolts and reposition gate so that it matches the "correct" image. Re-tighten tension nuts.

2. Pressure of tension bolts needs adjusting.

Solution: Loosen or tighten the upper tension nuts. Ensure the upper latch handle always remains below the release button. Ensure the upper latch handle engages securely when the gate swings closed and that it releases properly when the release button is pressed.



**Aligned in door frame
from top to bottom**



**Mis-aligned
Gate at top is installed
further back than
the bottom of gate**

maintenance

- Regularly check tension bolts to make sure the gate is securely in place.
- Do not use the gate if any components are damaged or missing.
- Surface-clean with a damp cloth or sponge using mild detergent and warm water.

replacement hardware kit #33240-50

We're here to help!

If you have any questions or need assistance,
contact our Consumer Relations Team at
1-401-671-6551 or **www.summerinfant.com/contact**

Summer Infant (USA), Inc.

1275 Park East Drive
Woonsocket, RI 02895 USA
1-401-671-6551

© 2020 Summer Infant (USA), Inc.

Colors and styles may vary.

MADE IN CHINA.

D0000000707 3/20