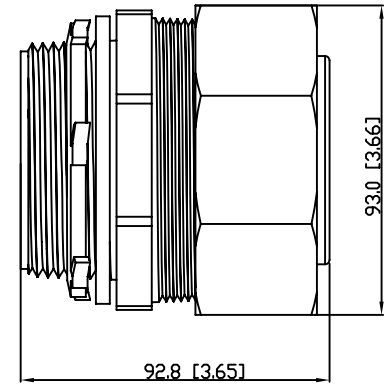
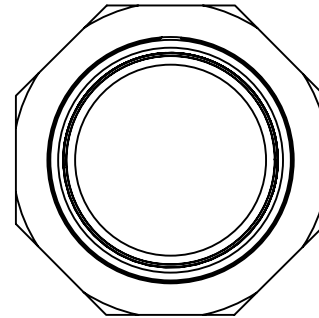
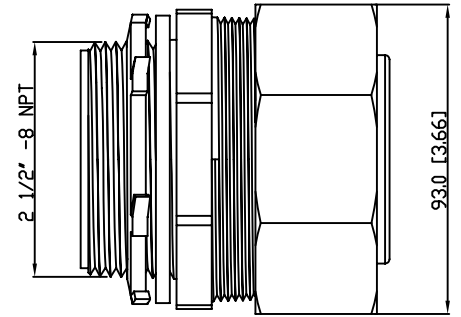
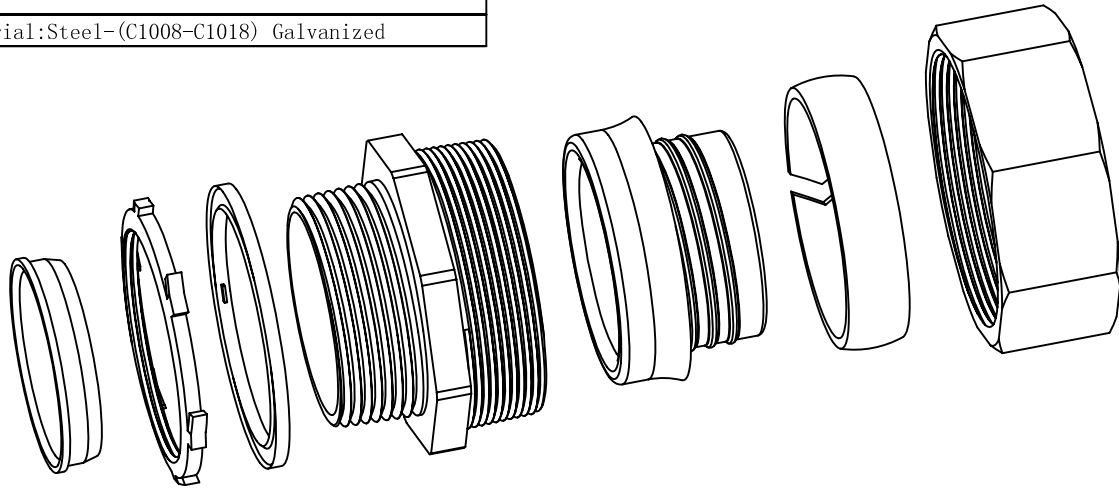


SIDES	BOTTOM
Material:Steel-(C1008-C1018) Galvanized	



DESCRIPTION
TRADE REFERENCE TERMS

This data sheet is for reference only .GARVIN INDUSTRIES reserv the right to make changes to the design without prior notice.

STANDARD PACKING	GARVIN INDUSTRIES		
1 PCS	TITLE Str Liquid Tight Conn, 2 1/2"		
	SIZE A4	DWG NO. DS-LTC-250	REV A