

Soho® | K-2054-R

20" x 18" wall-mount/concealed arm carrier arm bathroom sink with 4" centerset faucet holes and right-hand soap dispenser hole

Features

- Made from premium materials that withstand high-volume usage
- 20" (508 mm) x 18" (457 mm)
- Faucet sold separately
- Includes soap dispenser drilling on right



Available Colors/Finishes

Color tiles intended for reference only.

- 0 White



Codes/Standards

ADA, OBC, CSA B651 compliant when installed to the specific requirements of these regulations.

ADA CSA B651 OBC

ASME A112.19.2/CSA B45.1
ADA
ICC/ANSI A117.1
CSA B651
OBC

Technical Information

Number of Deck Holes:	4
Faucet Hole(s) Size:	1-3/8" (35 mm)
Center(s):	4" (102 mm)
With Overflow:	Yes
Soap/Lotion Hole Size:	1-1/4" (32 mm)
Drain Hole Diameter:	1-3/4" (44 mm)
Basin Configuration:	Single Bowl
Basin Length:	18" (457 mm)
Basin Width:	13" (330 mm)
Basin Depth:	5-7/8" (149 mm)

Material

- Vitreous china

Recommended Products/Accessories

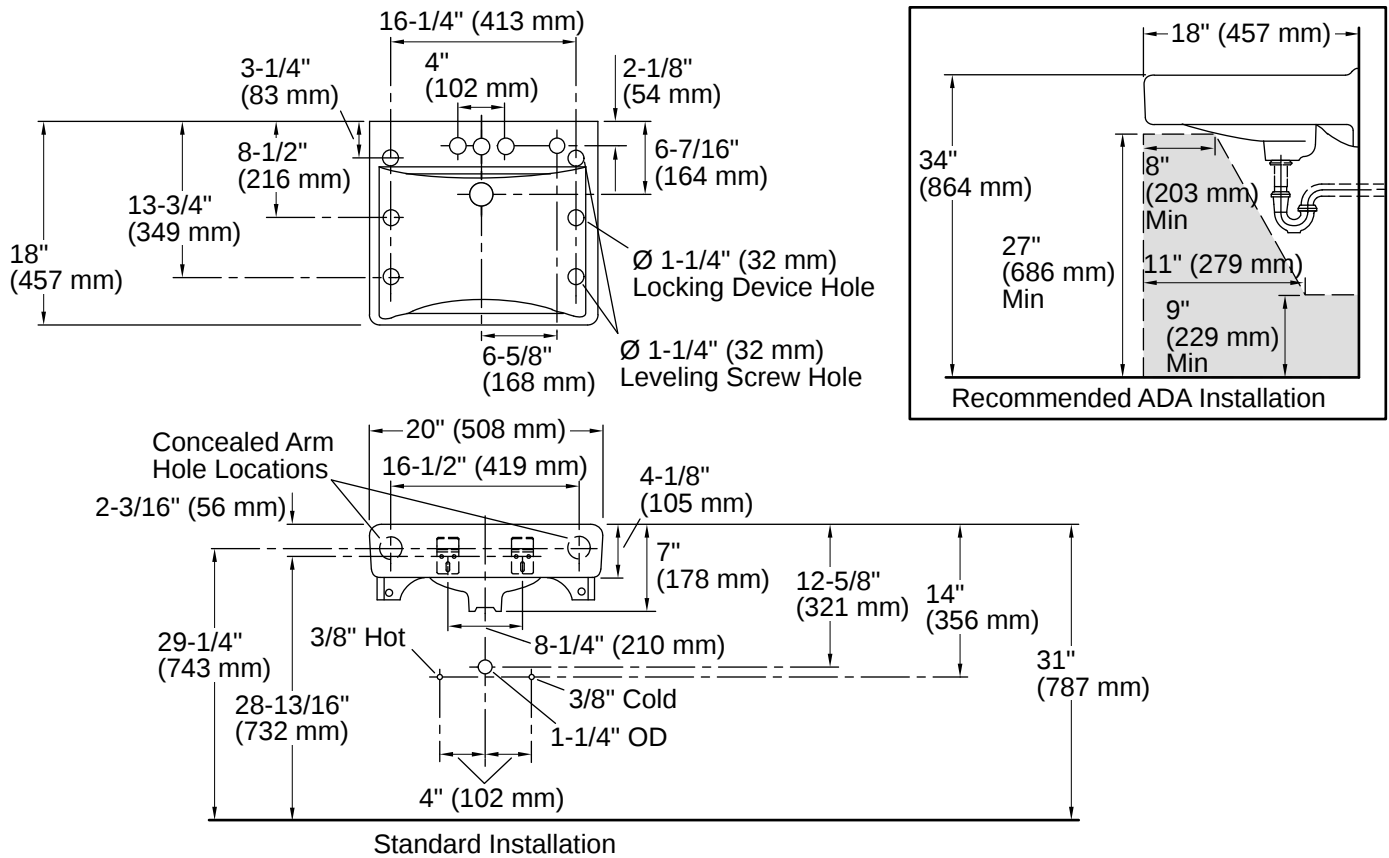
K-23726 Drain treatment
K-8998 Adjustable P-trap with tubing outlet, 1-1/4" x 1-1/4"
K-23725 Cast iron cleaner

Warranty

See website for detailed warranty information.

KOHLER® Vitreous China Bathroom Sink Lifetime Limited Warranty





Installation

- Wall-mount
- Drilled for concealed arm carrier installation

Installation Notes

Install this product according to the installation instructions.

If an arm carrier is used, select a soap dispenser with a 1" (25 mm) maximum shank diameter to avoid interference with the arm carrier. Use a soap dispenser with adequate shank length to extend through the 4-1/8" (105 mm) sink thickness.

Product dimensions are nominal and may vary per ASME A112.19.2 tolerances.

ADA, OBC, CSA B651 compliant when installed to the specific requirements of these regulations.

