

**IMPORTANT:** Do not use abrasive cleaners such as metal scouring pads or scouring powder to clean any portion of this product.

#### To De-scale the Base

After a few months of use, some mineral deposits may build up in the base or on the heating element. These can happen over time and are especially common in areas with hard water. These deposits will influence the sterilization process and gradually decrease performance.

To remove the deposits, fill the base with 24 ounces of white vinegar (to the maximum mark) and then let it sit for 8 hours. After 8 hours, empty most of the vinegar. Use a soft cloth and the remaining vinegar to wash the base. Empty the base and wipe dry. **NOTE:** Do not use any other chemical or detergent. After de-scaling with vinegar, run sterilizer on one normal cycle with water and empty modules.

**⚠WARNING:** Changes or modifications to this unit not expressly approved by the party responsible for compliance could void the user's authority to operate the equipment.

**NOTE:** This equipment has been tested and found to comply with the limits for a Class B digital device, pursuant to part 15 of the FCC Rules. These limits are designed to provide reasonable protection against harmful interference in a residential installation. This equipment generates, uses and can radiate radio frequency energy and, if not installed and used in accordance with the instructions, may cause harmful interference to radio communications. However, there is no guarantee that interference will not occur in a particular installation. If this equipment does cause harmful interference to radio or television reception, which can be determined by turning the equipment off and on, the user is encouraged to try to correct the interference by one or more of the following measures:

- Reorient or relocate the receiving antenna.
- Increase the separation between the equipment and receiver.
- Connect the equipment into an outlet on a circuit different from that to which the receiver is connected.
- Consult the dealer or an experienced radio/TV technician for help.

If you have a warranty question or any other customer care questions, please contact our Customer Care team by calling 800-704-8697 or by e-mailing [cs@tomy.com](mailto:cs@tomy.com). You can also visit our warranty page at: <https://us.tomy.com/warranty>



This product complies with part 15 of the FCC Rules. Operation is subject to the following two conditions:  
1. This device may not cause harmful interference, and  
2. This device must accept any interference received, including interference that may cause undesired operation.

[help@thefirstyears.com](mailto:help@thefirstyears.com) / 1-800-704-8697 / [www.thefirstyears.com](http://www.thefirstyears.com)

THE FIRST YEARS name and logo are the trademarks of TOMY, registered in the U.S. and other countries.  
© 2020 TOMY, TOMY INTERNATIONAL, 2015 SPRING RD., OAK BROOK, IL 60523 USA.  
ALL RIGHTS RESERVED. STYLES AND COLORS MAY VARY. MADE IN CHINA.  
Y7870 231031

**TOMY**

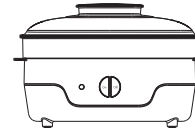
the  
**first**  
years

## Instructions

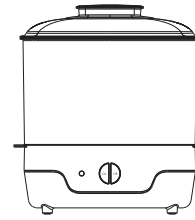
Y7870

### MODULAR STEAM STERILIZER

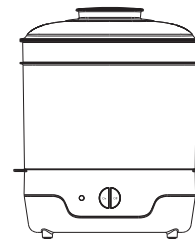
Modular design:  
for jobs big and small



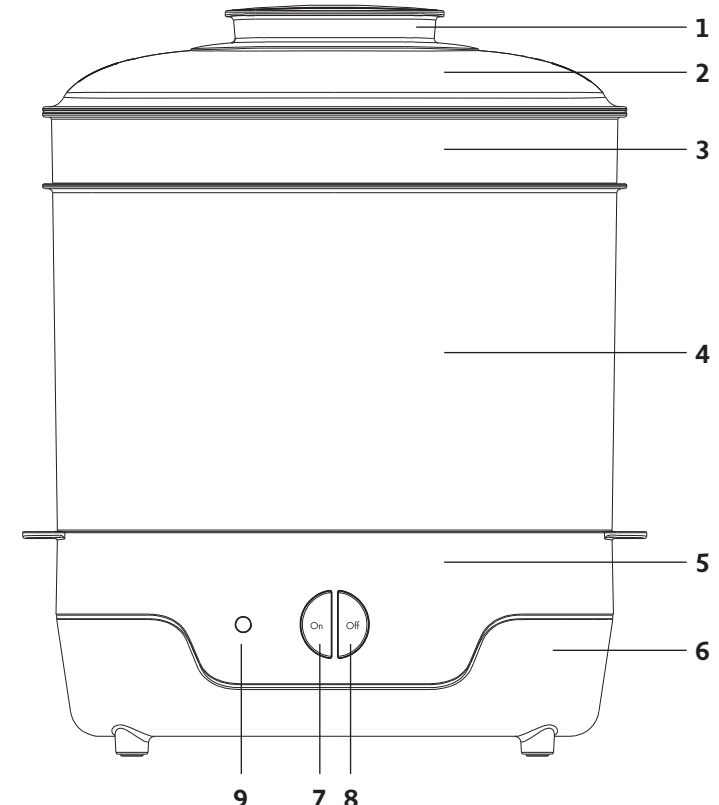
Accessory Module



Bottle Module



Combined Modules



- |                     |                          |                          |
|---------------------|--------------------------|--------------------------|
| 1. Handle           | 9. Sterilizing Indicator | 6. Base                  |
| 2. Cover            | 7. On Button             | 7. On Button             |
| 3. Accessory Module | 8. Off Button            | 8. Off Button            |
| 4. Bottle Module    |                          | 9. Sterilizing Indicator |
| 5. Water Reservoir  |                          |                          |

**READ ALL INSTRUCTIONS BEFORE USING.  
KEEP PACKAGING AWAY FROM CHILDREN.  
PLEASE RETAIN ALL PRODUCT INFORMATION  
FOR FUTURE REFERENCE.  
FOR HOUSEHOLD USE ONLY.**

# IMPORTANT SAFEGUARDS

When using electrical appliances, basic safety precautions should always be followed, including the following:

1. Read all instructions carefully before using your Electric Sterilizer.
2. Ensure that the supply voltage marked on the appliance corresponds with your main supply.
3. If there is any visible damage to the appliance, the plug or the supply cord, disconnect the appliance immediately and do not use it.
4. If the supply cord is damaged, it must be replaced by the manufacturer, its service agent or a similarly qualified person in order to avoid a hazard.
5. Do not allow children to touch or use the appliance. The appliance becomes very hot and the steam can cause severe scalding.
6. Do not move the appliance when it is in use or contains hot liquids.
7. Do not touch the hot surfaces.
8. Do not place the appliance on or near hot surfaces, in a heated oven or near a gas or electric heater.
9. Unplug the appliance from the power supply before cleaning or storage.
10. Do not immerse the power supply cord or base unit in water or any other liquid.
11. This appliance does not contain any user serviceable parts. Do not dismantle.
12. This appliance is for indoor use only. Do not use outdoors.
13. This appliance is not intended for use by persons (including children) with reduced physical, sensory or mental capabilities, or lack of experience and knowledge, unless they have been given supervision or instruction concerning use of the appliance by a person responsible for their safety.
14. This appliance has a 3-prong plug. To reduce the risk of electric shock, this plug is intended to fit into a 3-prong outlet only one way. If the plug does not fit fully into the outlet, contact a qualified electrician. Do not attempt to modify the plug in any way.
  - a. A short power supply cord is provided to reduce the risk resulting from becoming entangled in or tripping over a longer cord.
  - b. Longer extension cords are available and may be used if care is exercised in their use.
  - c. If a longer extension cord is used:
    - i. The marked electrical rating of the extension cord should be at least as great as the electrical rating of the appliance;
    - ii. The cord should be arranged so that it will not drape over the counter-top or tabletop where it can be pulled on by children or tripped over unintentionally.
15. Not for space heating purposes.
16. Always use on a level heat resistant surface.
17. Always keep the electrical sterilizer and its plug out of reach of small children.
18. To disconnect, turn any controls "off," then remove plug from wall outlet.
19. Ensure water has been added to the base unit before the sterilization cycle is switched on.
20. Always add ½ cup of water before use. If you put too little or too much water in the sterilizer, high sterilization efficiency may not be reached.
21. Always unplug from the electrical outlet when not in use. Allow to cool before putting on or taking off any parts.
22. Do not operate appliance with a damaged cord or plug or after the appliance malfunctions or has been damaged in any manner. Return appliance to the nearest authorized service facility for examination, repair or adjustment.
23. The use of accessory attachments is not recommended by the appliance manufacturer as this may cause injuries.
24. Do not open while in use as this product contains boiling water. Beware of escaping steam from the vent holes in the lid.
25. Allow at least 30 minute intervals between operations and make sure the unit has been cooled down before pressing the start button for subsequent use.
26. Steam escaping from the unit can cause burns. Always allow 5 minutes to cool down after the cycle finishes before lifting the lid.
27. KEEP CHILDREN AWAY from this sterilizer at all times.
28. To provide continued protection against the risk of electric shock, connect to properly grounded outlets only.
29. CAUTION: Risk of electric shock, disconnect electric power before cleaning.
30. Use only distilled water or bottled water to sterilize.
31. Never use any additives.

## BEFORE FIRST USE

Before the first use, please clean the sterilizer completely. Wash the two sterilizing modules and cover in clean water with mild liquid soap and rinse thoroughly. After drying the modules and cover, fill the base with 4 ounces water, place the modules and cover onto the base, and then run it through one cycle. After sterilizing, the appliance will shut off automatically. Allow the appliance to cool completely then discard the water and your new sterilizer is ready to use.

## USING STERILIZER

This sterilizer features two modules: an accessory module and a bottle module. You can use either of the modules on their own or both together. Choose the configuration that works best for you.

**NOTE:** Sterilizer should always be on a solid, level, and dry surface. Before placing items in the appliance for sterilization it is important that all bottles, nipples and accessories are empty and that they are clean and fully rinsed in clean water.

1. Ensure that the sterilizer is unplugged.
2. Remove the modules from the base.
3. Fill the base with 4 ounces of room temperature water. DO NOT overfill.

**NOTE:** Sterilizer is designed for use with water only. Do not add anything else. Doing so can damage the heating element. We recommend using distilled water.  
**Products should be thoroughly cleaned before using this device**
4. Place bottles or cups upside down into the bottle module onto the steam posts. Place bottle nipples and smaller items into the accessory module. If using only one module, store the one that is not in use.
5. Ensure each module and cover are seated correctly before turning on sterilizer.
6. Plug in the sterilizer, press the ON button to start. The sterilizing indicator will turn red to show that the appliance is actively sterilizing. When the sterilizing cycle is finished, the indicator will turn off. **NOTE:** Should you need to stop the sterilizer during the cycle, simply press the OFF button.

**CAUTION:** Sterilizer will be hot after use. Wait for it to cool before removing sterilized items, removing modules and any remaining water in base. After sterilizer cools, empty, clean, and store in a dry area with the cord wrapped neatly after each use.

## Auto Shut Off

This sterilizer has a safety system that switches it off if the water level is too low. This feature protects the sterilizer from being damaged due to lack of water.

## CLEANING AND MAINTENANCE

- Unplug the appliance from the power supply before cleaning or storage.
- Always allow the appliance to cool down completely before cleaning.
- Wash the two sterilizing modules and cover in clean water with mild liquid soap and rinse thoroughly. These parts are also dishwasher safe, but continuous cycles in the dishwasher may result in a dulling of the surface sheen.
- DO NOT immerse the base in water. Wipe with a soft damp cloth and wipe dry.