

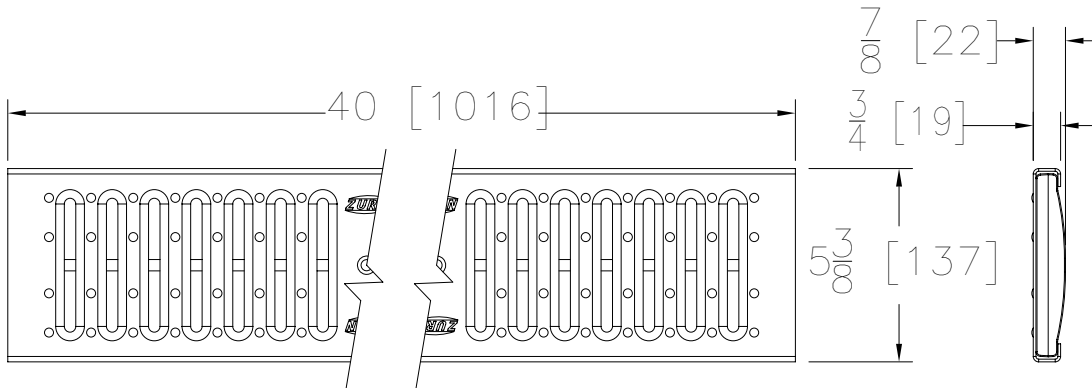


P6-RFSC
6 [152] WIDE GRATE

Design and Dimensional Data (inches and [mm]) are Subject to Manufacturing Tolerances and Change Without Notice

Please Check ✓	Item No.	Part Number	Item I.D.
	46	64063	P6-RFSC

[Back to Index](#)



RFSC GRATE ENGINEERING SPECIFICATION: ZURN P6-RFSC

40" [1016mm] X 5-3/8" [137mm] Stainless steel reinforced slotted grate weighing 5.2 lbs per linear foot [7.9kg/m]. The grate has an open area of 12.0 in² per linear foot [254cm²/m]. Grate conforms to DIN rating of C, ANSI rating of Heavy-Duty, ADA compliant* and H-20 load rating. Stainless steel grate conforms to ASTM A351 Type 304 (Grade CF8M Type 316 by request) cast body and A-240 TYPE 304 (or 316 by request) for grate skin.

RFSC - Reinforced Slotted	
Material:	Type 304 Stainless Steel
DIN Rating:	Class C
Weight:	5.2 lbs/ft. [7.9kg/m]
Open Area:	12.0 in ² /ft. [254cm ² /m]
ANSI Rating:	Heavy-Duty
Application:	Roadway
Slot Width/Hole Size:	3/8" [9.5mm]
ADA:	Yes*
H-20:	Yes
FAA:	No

* Elongated openings must be placed perpendicular to the dominant direction of travel.

⚠ **WARNING:** Cancer and Reproductive Harm - www.P65Warnings.ca.gov

⚠ **ADVERTENCIA:** Cáncer y daño reproductivo - www.P65Warnings.ca.gov

⚠ **AVERTISSEMENT:** Cancer et effets néfastes sur la reproduction - www.P65Warnings.ca.gov