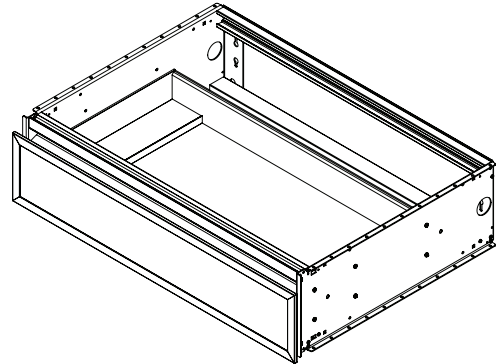
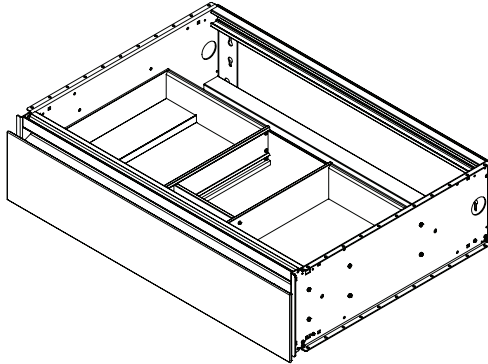


Important safety instructions - Save these instructions



Side Kits sold separately

CONTENTS

Installation Instructions - 1	Optional Ganging Kit - 11
Model Numbers - 2	Alcove and Corner Installations - 12
Parts and Optional Accessories - 3 & 4	Optional Side kit - 13
Dimensions - 5	Optional Selectable Night Light - 13
Blocking Dimensions - 6	Drawer Installation - 14, 15, & 16
Electric Option Rough-in - 7	Use and Maintenance / Warranty - 17
Frame Installation - 8 & 9	Français / Español - 18
Stacking Kit - 10	

INSTALLATION INSTRUCTIONS

This instruction manual contains information on how to install the 7-1/2" high Cartesian Vanity, and Profiles Vanity. This series comes in several sizes and variations. Electrical option(s) may be provided with your vanity(s). The vanity series are modular and can be mounted individually, ganged or stacked together.

This vanity series needs special site preparation. Do not install vanities until all framing, plumbing and electrical option rough-ins have been completed and wall surface has been finished. We recommend using the services of a professional installer. Observe all local building codes.

Save these instructions for future use and reference. An improper installation voids the warranty. Installed vanities cannot be returned.

If you experience any problems with your vanities, contact your dealer or Robern directly.

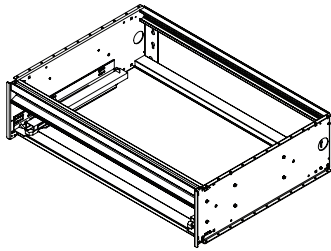
Limited Warranty — One Year Term

MODEL NUMBERS

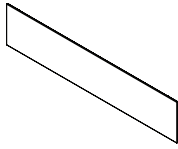
Use the chart Below to learn how to build a Cartesian or Profiles model number. This chart references the model number for a 24" W x 7-1/2" H x 21" D vanity with plumbing drawer and night light. Consult the Robern Price Book for a complete list of model numbers.

Model Numbers	V	M	24	H1	D21	P	##	L
Category	V = Vanity							
Product	M = Cartesian P = Profiles							
Width	12 = 12 1/8" / 308 mm 24 = 24 1/8" / 613 mm 30 = 30 1/8" / 765 mm 36 = 36 1/8" / 918 mm							
Height	H1 = 7.5" / 191mm H2 = 15" / 381mm							
Depth	D18 = 18-3/4" / 476mm D21 = 21-3/4" / 552 mm							
Drawer Style	P = Plumbing F = Full T = Tip							
Glass Finish	## = Decorative glass							
Light	N = Base L = 5000 Kelvin Night Light (Cartesian only) S = Selectable 2700 / 4000 Kelvin Night Light							
Metal Frame Finish	Blank = Cartesian 76 = Chrome (Profiles only) 77 = Polished Nickel (Profiles only) 82 = Matte Gold (Profiles only) 83 = Matte Black (Profiles only)							

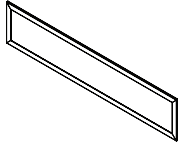
PARTS



(1) 12", 24", 30", or 36" frame
30" shown here

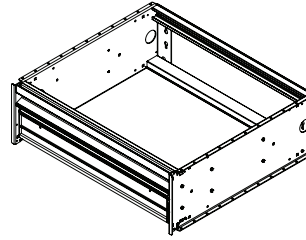


or

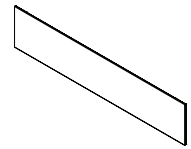


(1) Drawer front

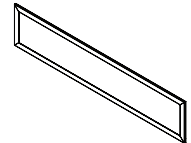
Plumbing and full drawers are not available with Tip out drawer



(1) 24", 30", or 36"
Tip Out Drawer and frame

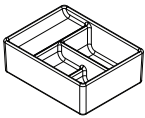
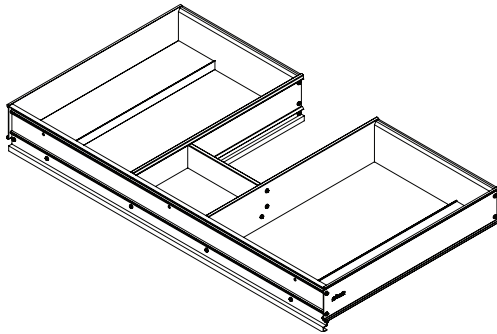


or



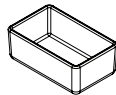
(1) Drawer front

24", 30", or 36" Plumbing Drawer



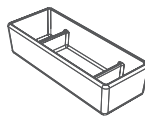
[202-1356]

(1) Glass Center Bin



[202-1124]

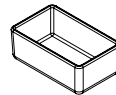
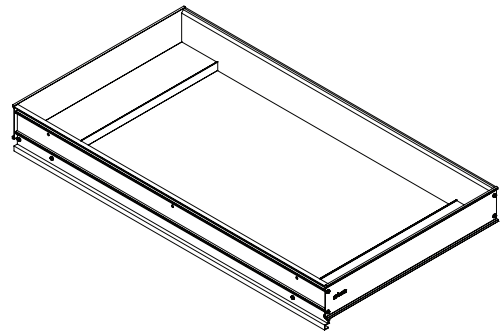
(2) Medium Glass Bin



[202-1123]

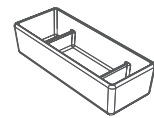
(2) Large Glass Bin

12", 24", 30", or 36" Full Drawer



[202-1124]

(2) Medium Glass Bin



[202-1123]

(2) Large Glass Bin

[216-1073] Mounting Hardware Bag

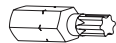


[203-1256]
(4) 5/16" x 2-1/2"
Structural Bolt



[SS674]

(5) #10 x 2" Screw



[203-1270]

T-30 Driver

[216-1145] Stacking Hardware Bag



[203-1317]
(4) 10-32 Nut



[SS268]

(4) 10-32 Screw



[203-1390]

(4) #10 Washer

[216-1147] Drawer front Hardware Bag



[203-1382]
(3) Screw



[203-1198]

(3) Washer

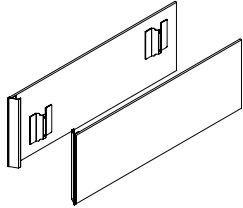


[SS348]

(3) Screw Cap

OPTIONAL ACCESSORIES

[VM(1, 2)SKH1D(18, 21)##]
Side Kit



Side Kit

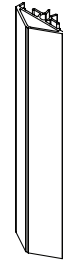
[VMGKITH1]
7-1/2" Ganging kit



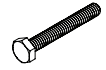
[R290-1-462R]
(4) Spacers



[203-1301]
(4) 1/4" Washer



(1) 7-1/2" Filler / Bumper

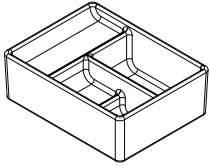


[203-1302]
(4) 1/4-20 x 1 7/8" Bolt

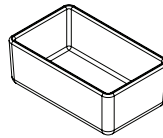


[203-1261]
(4) 1/4-20 Nut

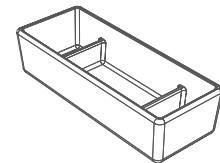
[GLASSBIN6.38]
(1) Glass Center Bin



[GLASSBIN5.25]
(2) Medium Glass Bin



[GLASSBIN8.5]
(2) Large Glass Bin



[VMAKITH1]
7-1/2" Alcove finishing kit



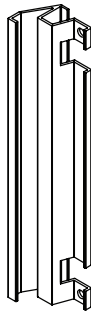
[SS267]
(4) 10-32 Nut



[203-1390]
(4) #10 Washer

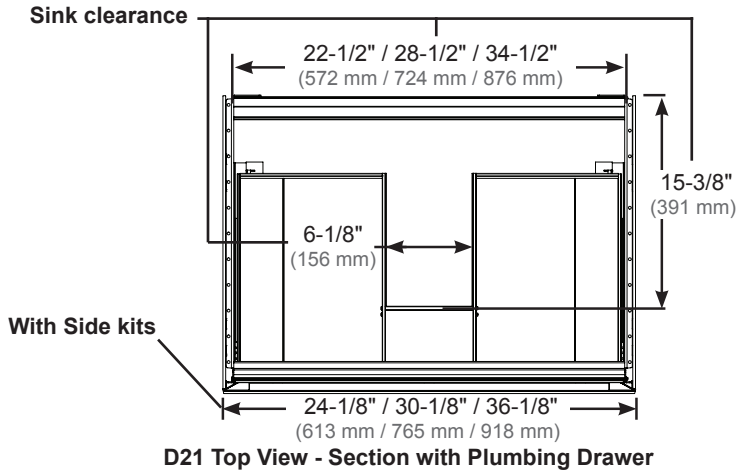


[SS268]
(4) 10-32 Screw

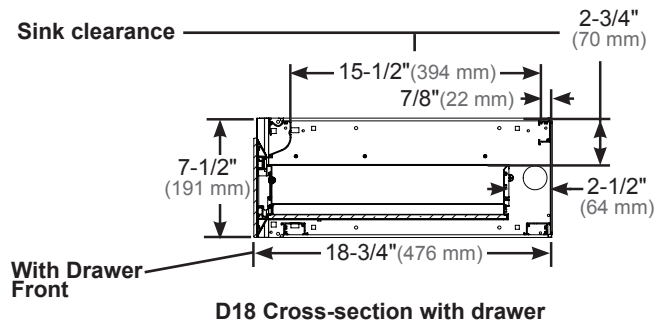
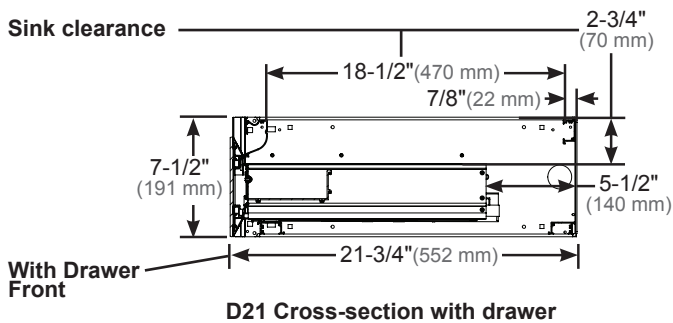
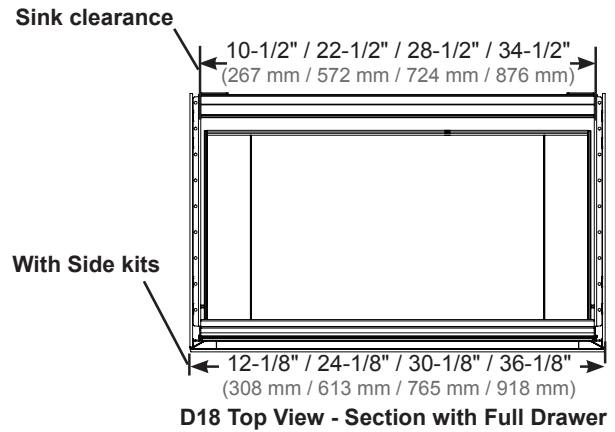
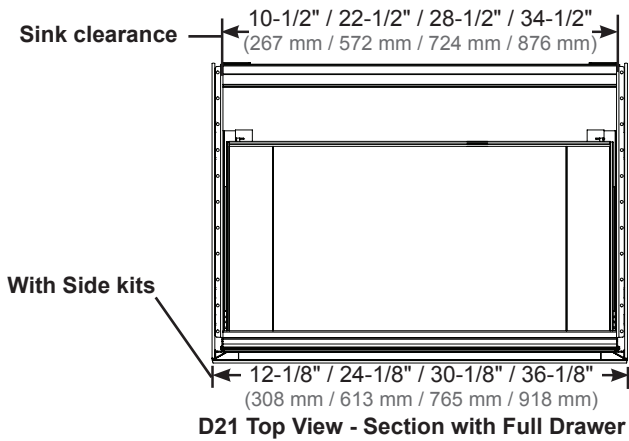
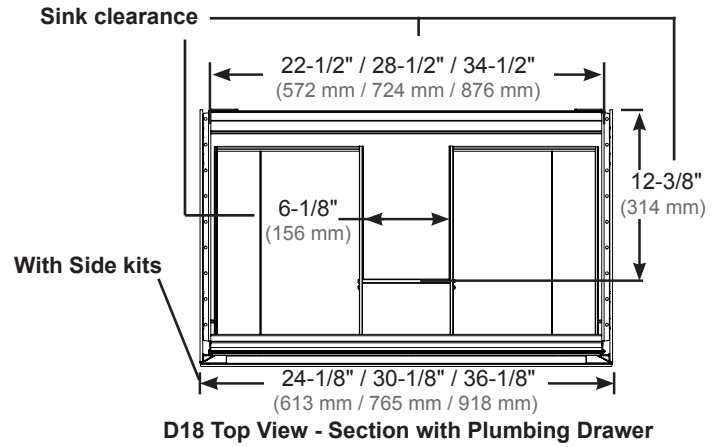


DIMENSIONS

D21



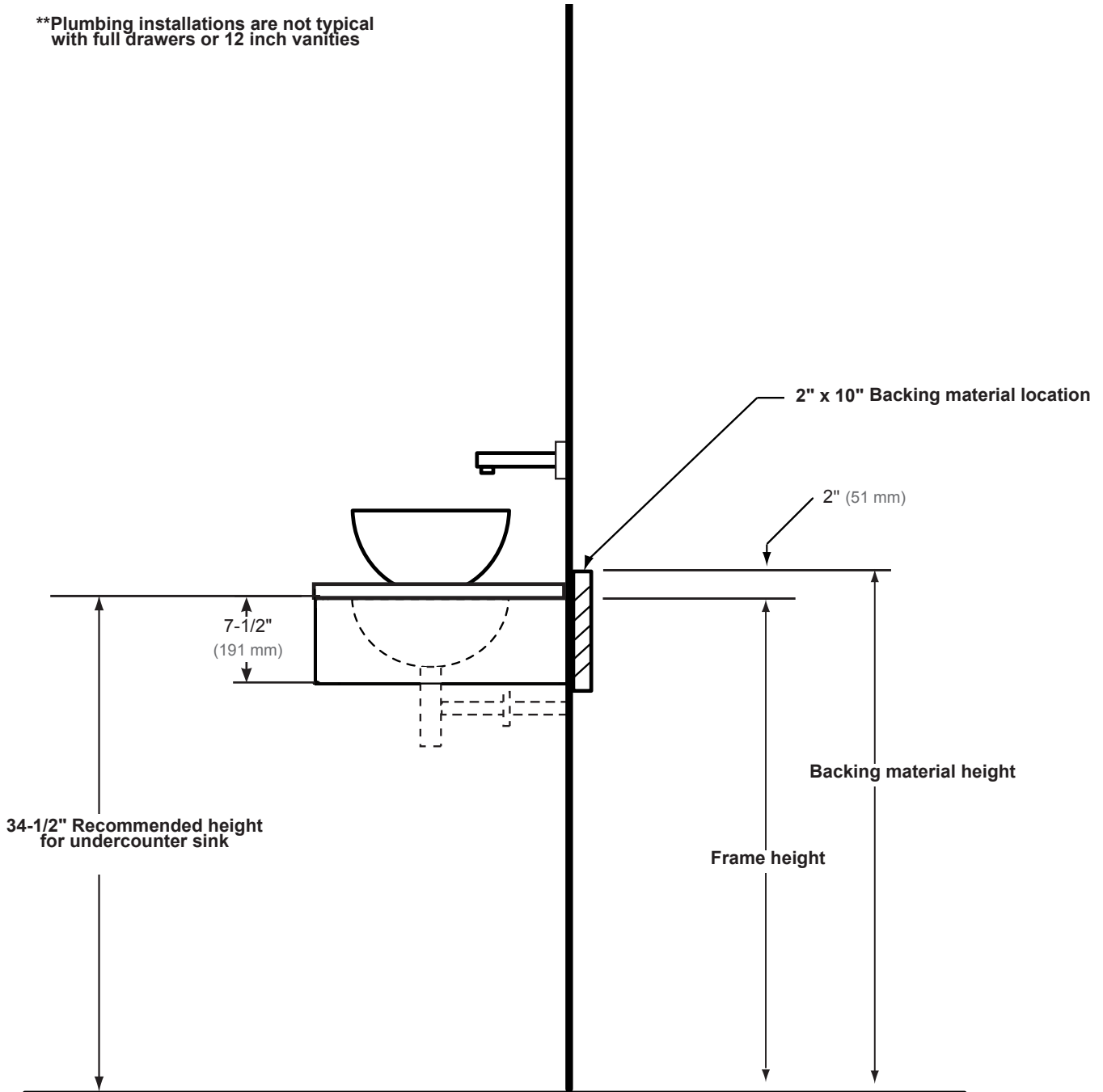
D18



BLOCKING DIMENSIONS

Side view showing blocking location in wall

****Plumbing installations are not typical with full drawers or 12 inch vanities**



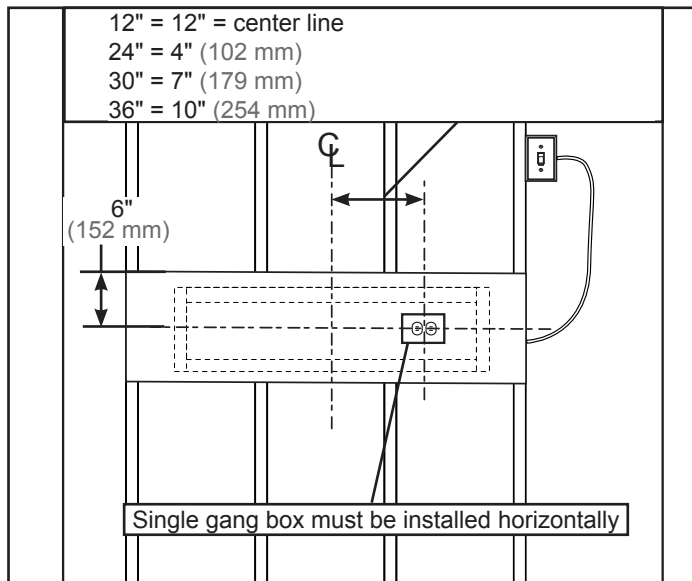
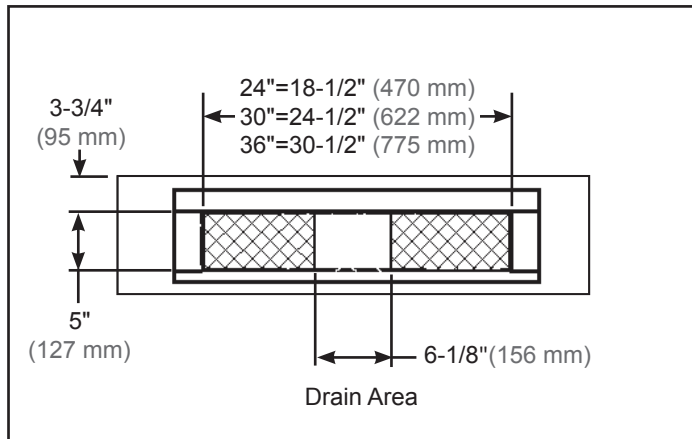
ELECTRIC OPTION ROUGH-IN

The night light option is ordered with the vanity and requires electrical outlets.

The night light has no switch. It is recommended that you switch the outlet to operate the night light. Locate the switch near the doorway to the bathroom.

All applicable electrical codes in your area must be followed.

Outlet can be installed to the left or right of center.

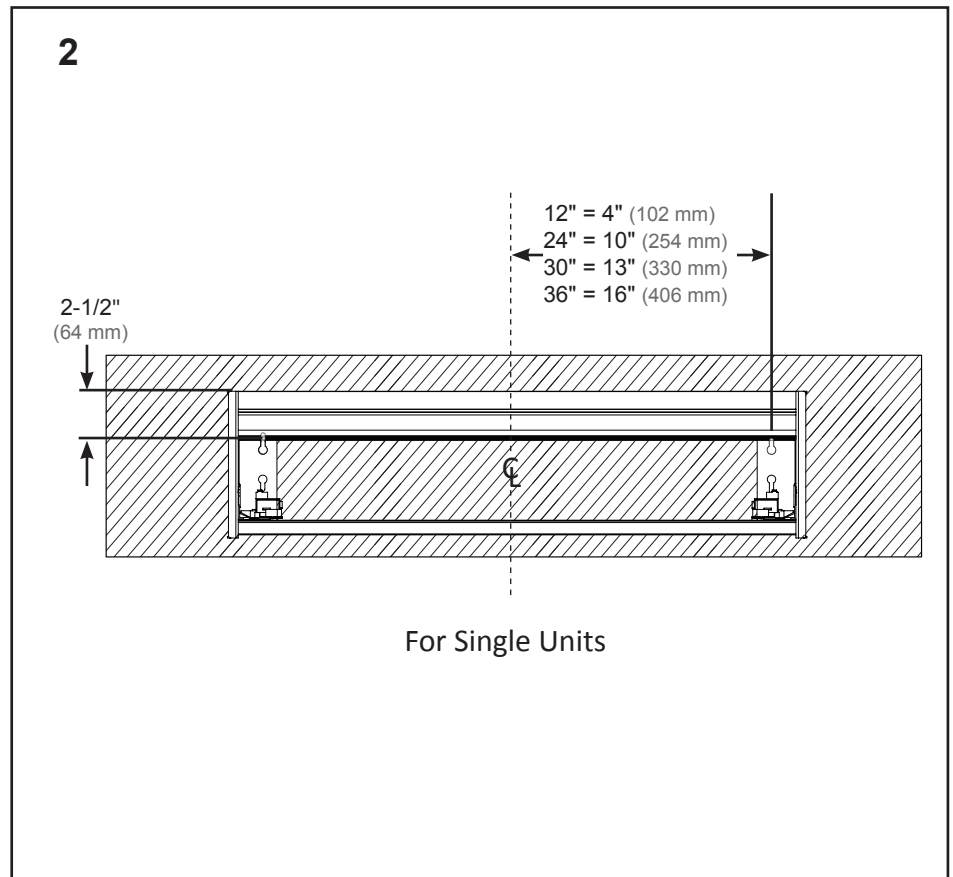
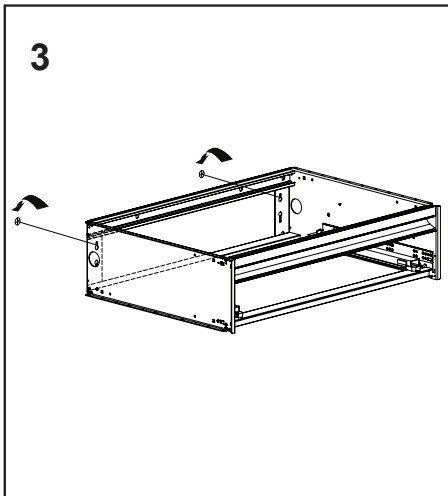
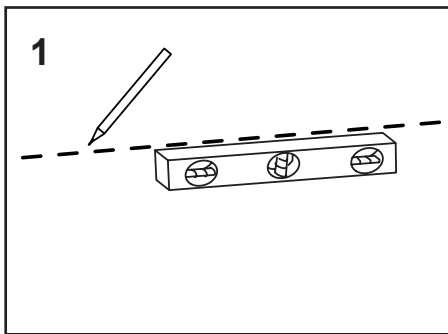


FRAME INSTALLATION

The drawer fronts are packed separately. Do not unpack them until the room is safe from hazards. If you are ganging and / or stacking vanities see pages 10 & 11.

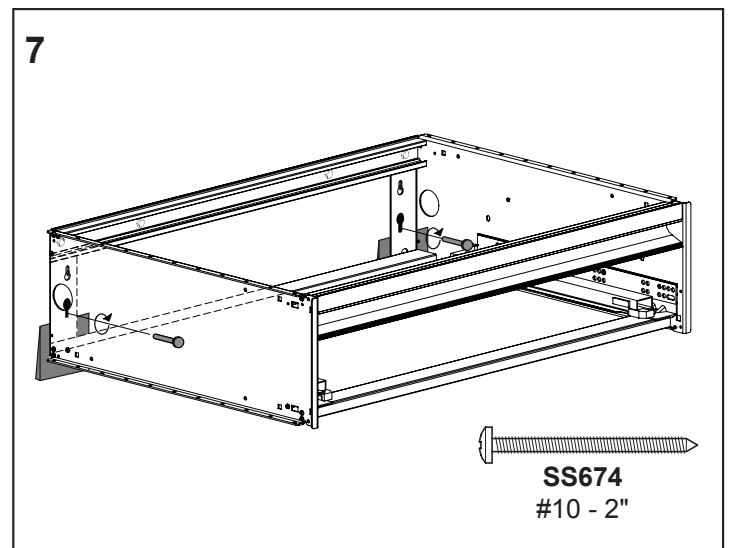
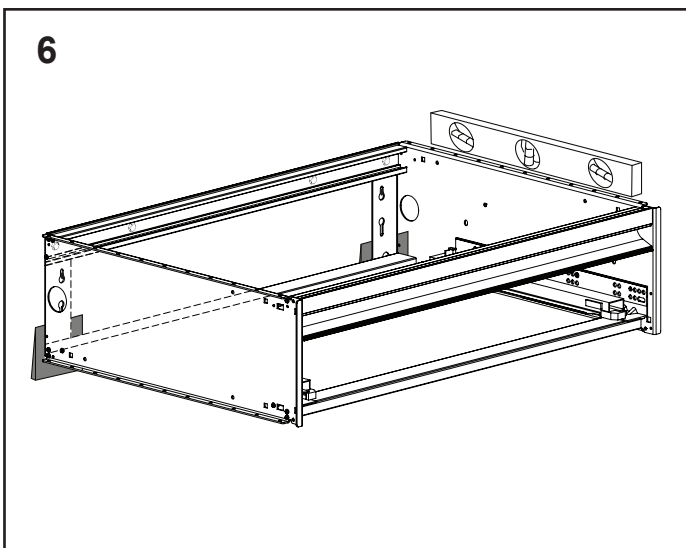
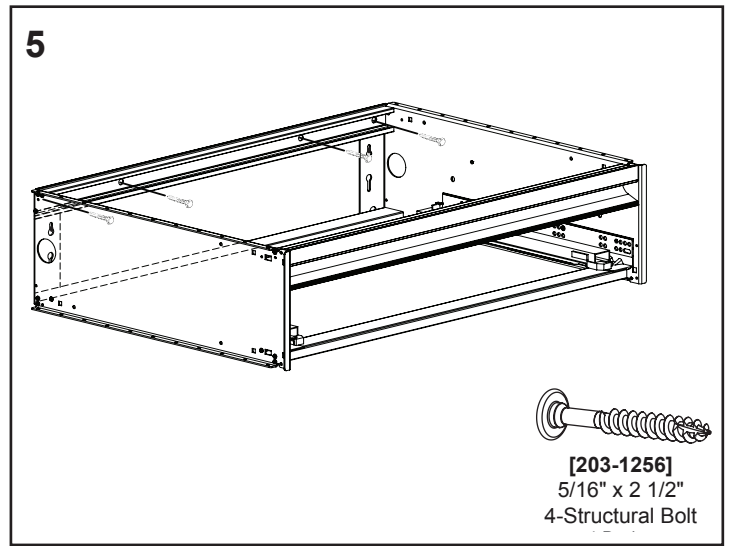
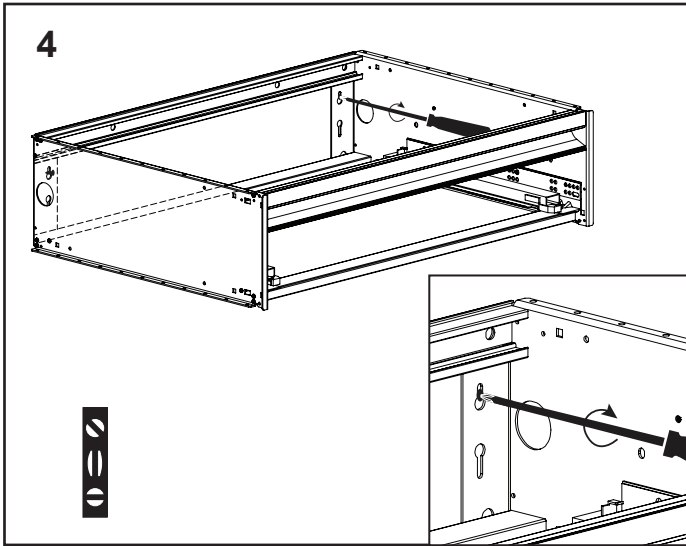
1. Mark the height for the vanity frame install on the finished wall (Fig. 1).
2. Install two of the #10 x 2" (SS674) at the locations shown in Fig. 2. Do not install tight to the wall, leave 1/8" behind the head.
3. Place the vanity frame on the screws using the top left and right keyholes (Fig. 3). The keyhole on the left allows for up and down adjustment.

WARNING: THESE SCREWS ARE NOT THE FINAL SUPPORT FOR THE VANITY! SEE PAGE 9 FOR FINAL BOLT UP.



FRAME INSTALLATION

4. Level the frame and tighten to the wall as shown on page 8 and here in Fig. 4. The left keyhole is elongated to allow for up and down adjustment.
5. Install the four Structural Screws (203-1256) into the four top frame holes (Fig. 5). A T-30 Torx Bit is provided. If the wall is bowed, shim where required.
6. If required, shim the bottom at the frame/side intersection (Fig. 6).
7. Install two #10 x 2" (SS674) through the narrow slot of the keyhole on the flange (Fig. 7).



STACKING KIT

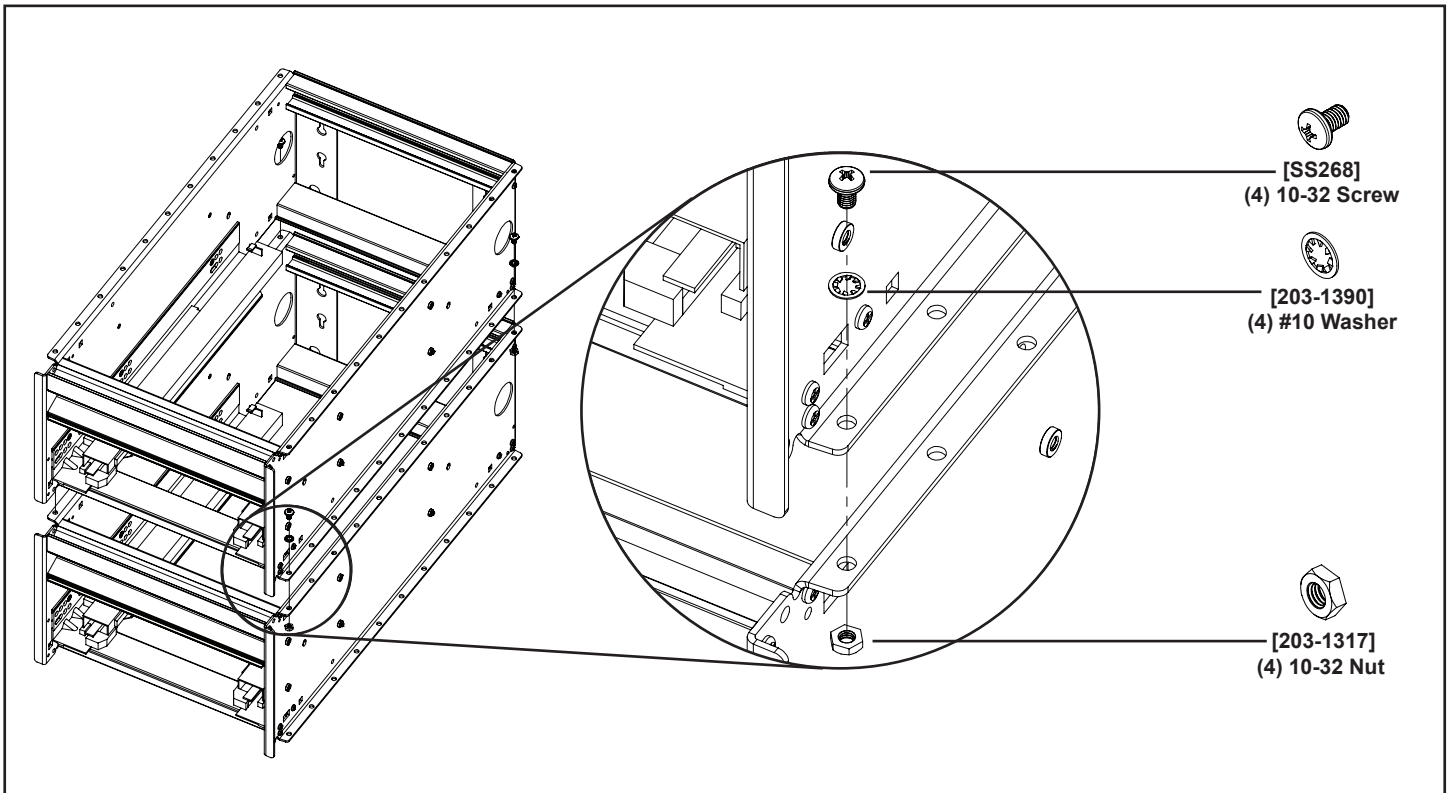
If you are not Stacking and/or Ganging Cartesian or Profiles, you may skip this step and continue to assembling the glass drawer front on page 15.

If you purchased the optional side kits, continue to page 13. For the optional Alcove Kit continue to page 12.

Assemble frames on a clean level surface BEFORE installing on the wall.

Stacking is only available on vanities with the same width.

Place the one Cartesian or Profiles vanity on top of another. Install 4 screws (SS268) and 4 washers (203-1390) into the holes closest to the front and back edge. Using the 4 nuts (203-1317) tighten the assembly until firmly secure.



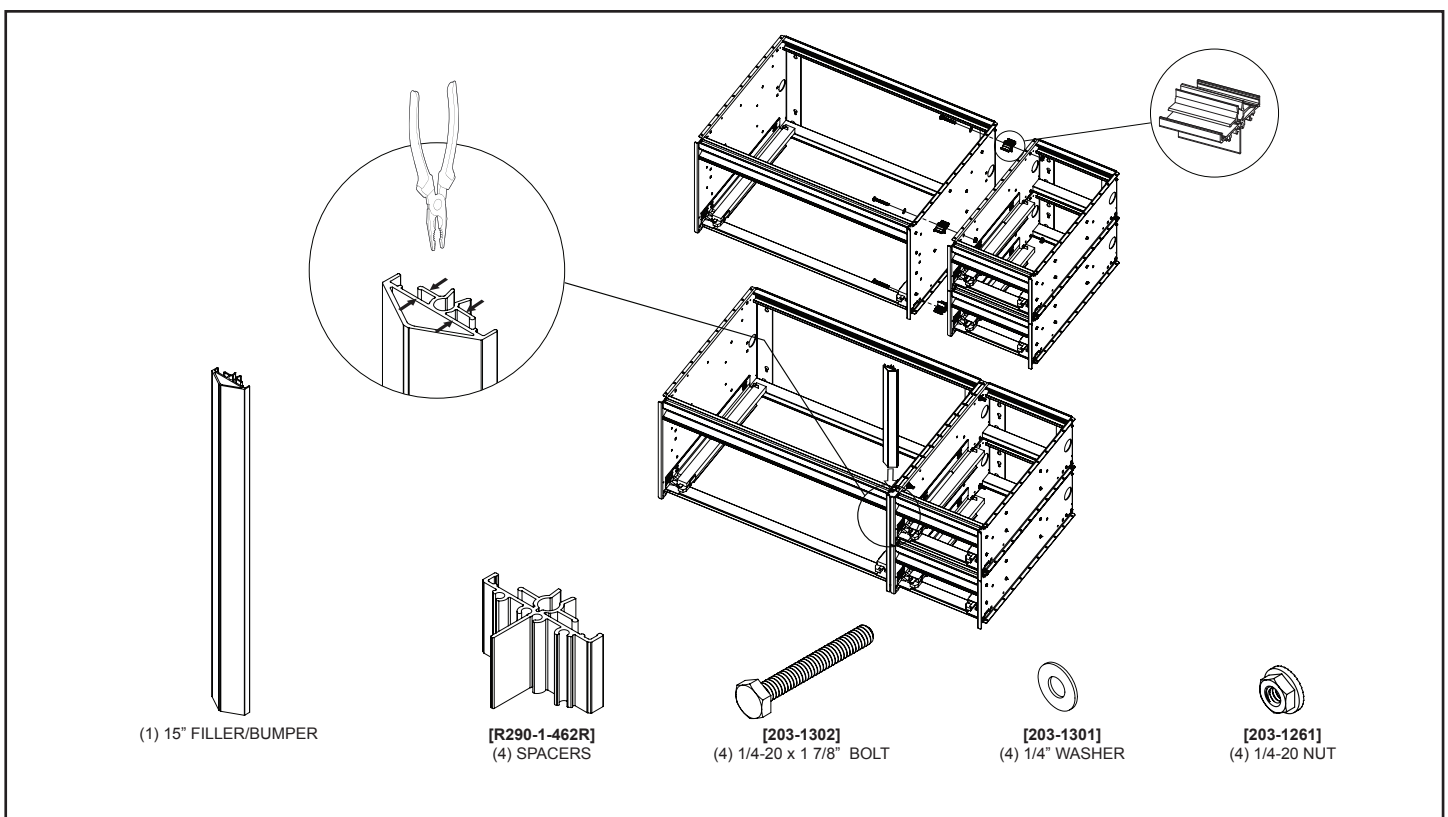
OPTIONAL GANGING KIT

If you are not Stacking and/or Ganging Cartesian or Profiles, you may skip this step and continue to assembling the glass drawer front on page 15.

If you purchased the optional side kits, continue to page 13. For the optional Alcove Kit continue to page 12.

Assemble frames on a clean level surface BEFORE installing on the wall.

1. Install 4 bolts (203-1302) and 4 washers (203-1301) into the square holes near the top and bottom edge of the side pan.
2. Place the 4 spacers (R290) over the bolts and bring the adjoining pan in location to slide the bolts into the corresponding holes.
3. Using the 4 nuts (203-1261) tighten the assembly until firmly secure.
4. Slide the Filler/Bumper down over the flanges. If loose, pinch using needle nose pliers as shown below.



ALCOVE AND CORNER INSTALLATIONS

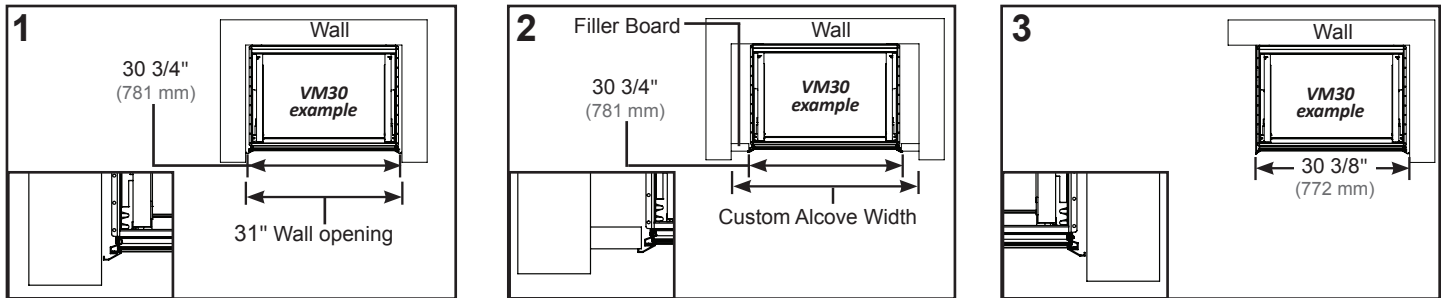
See Alcove kit instructions for greater clarity.

Note: The Alcove Kit you order depends on the overall height of your vanity or vanity stack combination. For example, if you stack two H1 vanities ($7\text{-}1/2" + 7\text{-}1/2" = 15"$) you would use the VMAKITH2. One Alcove kit is required per side.

Alcove Installations - For standard top sizes (Nominal + 1") Two Alcove Kits, VMAKIT are used in place of side kits when installing the vanity into an alcove. Each Alcove kit adds $3/8"$ to the overall nominal width of the vanity. The wall opening should be 1" gap larger to allow $1/8"$ gap on either side of the Alcove kit. **Fig. 1 shows the dimension for a VM30 as an example.**

Alcove Installations –Requiring extra fillers Two Alcove Kits, VMAKIT are used in place of side kits when installing the vanity into an alcove. Each Alcove kit adds $3/8"$ to the overall nominal width of the vanity. Field installed extra filler to match the wall (Fig. 2).

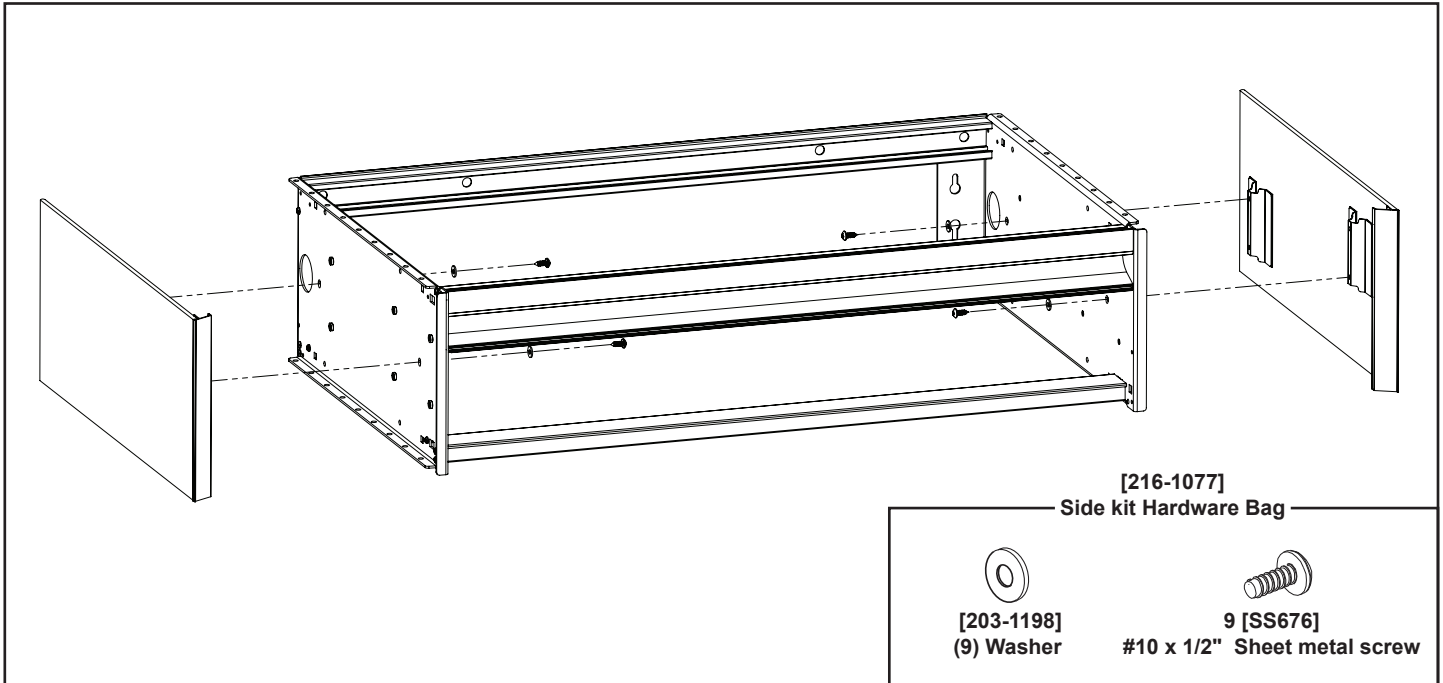
Corner Installation - One Alcove Kit, VMAKIT is used with a single side kit when installing the vanity into a corner. Each Alcove kit adds $3/8"$ to the overall nominal width of the vanity. **Fig. 3 shows the dimension for a VM30 with one Alcove kit as an example.**



[VMAKITH1] 7-1/2" Alcove finishing kit	[VMAKITH2] 15" Alcove finishing kit	[VMAKITH3] 22-1/2" Alcove finishing kit	[VMAKITH4] 30" Alcove finishing kit
<p>[SS267] (4) 10-32 Nut</p> <p>[203-1390] (4) #10 Washer</p> <p>[SS268] (4) 10-32 Screw</p>	<p>[SS267] (4) 10-32 Nut</p> <p>[203-1390] (4) #10 Washer</p> <p>[SS268] (4) 10-32 Screw</p>	<p>[SS267] (8) 10-32 Nut (8) écrou / (8) tuerca</p> <p>[203-1390] (8) #10 Washer (8) rondelle / (8) arandela</p> <p>[SS268] (8) 10-32 Screw</p>	<p>[SS267] (8) 10-32 Nut</p> <p>[203-1390] (8) #10 Washer</p> <p>[SS268] (8) 10-32 Screw</p>

OPTIONAL SIDE KIT

Use the #10 CB-SS676 screws and washer CB-203-1198 provided to attach the side glass panels.



OPTIONAL SELECTABLE NIGHT LIGHT

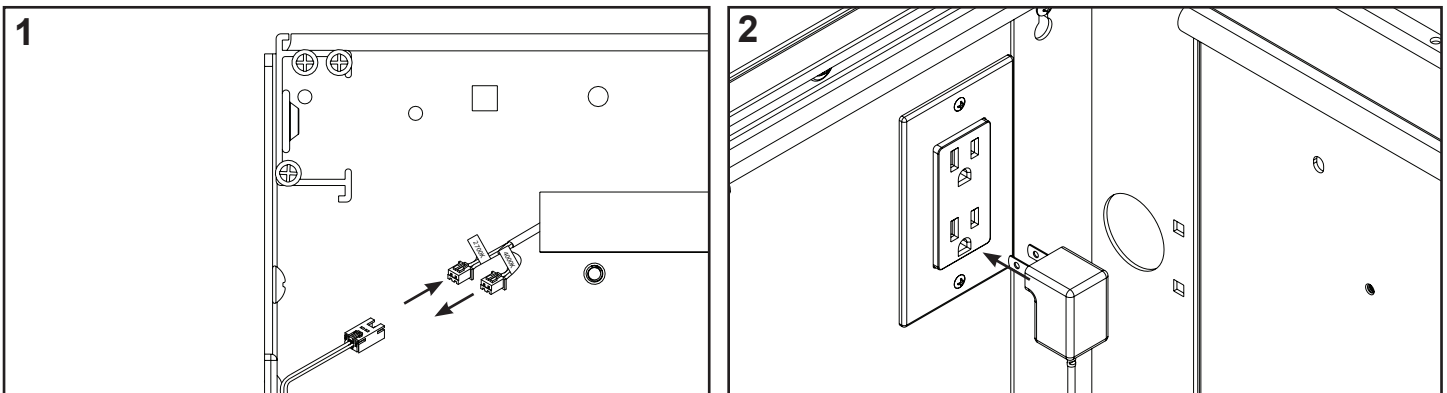
Note: The Night Light is preinstalled to a default color setting of 2700K. If 2700K is your desired color temperature, proceed to step 2. If 4000K is your desired color temperature you must complete step 1.

1. To select the 4000K color temperature you must disconnect the power supply from the 2700K wires located on the inside of the vanity. Once located, disconnect the wires labeled 2700K and connect the wires labeled 4000K.

2. Plug in the power supply into the wall and test.

3. Neatly restrain wires to avoid interference with drawer or drawer slides.

Note: When installing multiple night lights, a power strip can be used.



robern

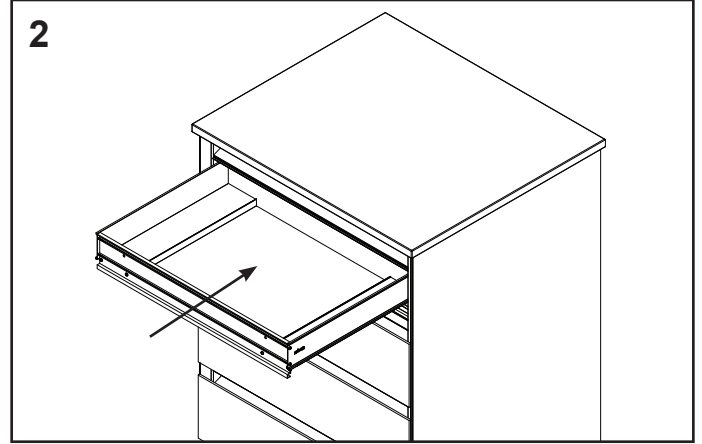
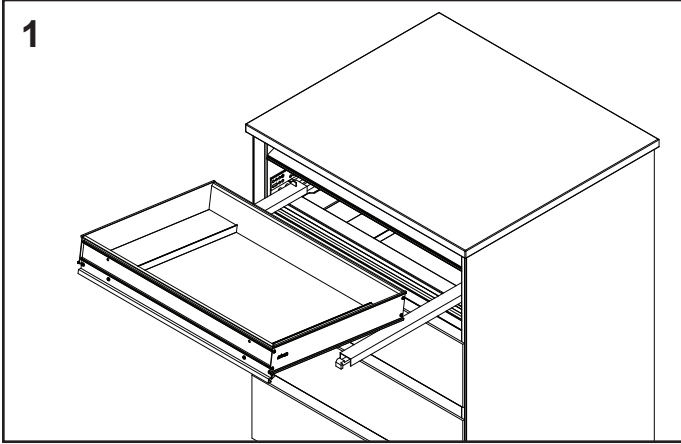
© 2018 Robern, Inc. 701 N. Wilson Ave. Bristol, PA 19007 U.S.A.
800.877.2376 www.robern.com

Installation instructions

Part no. 209-1231-D-Cartesian, Profiles H1 rev. 05/16/18
Cartesian™ Vanity, and Profiles™ Vanity

DRAWER INSTALLATION

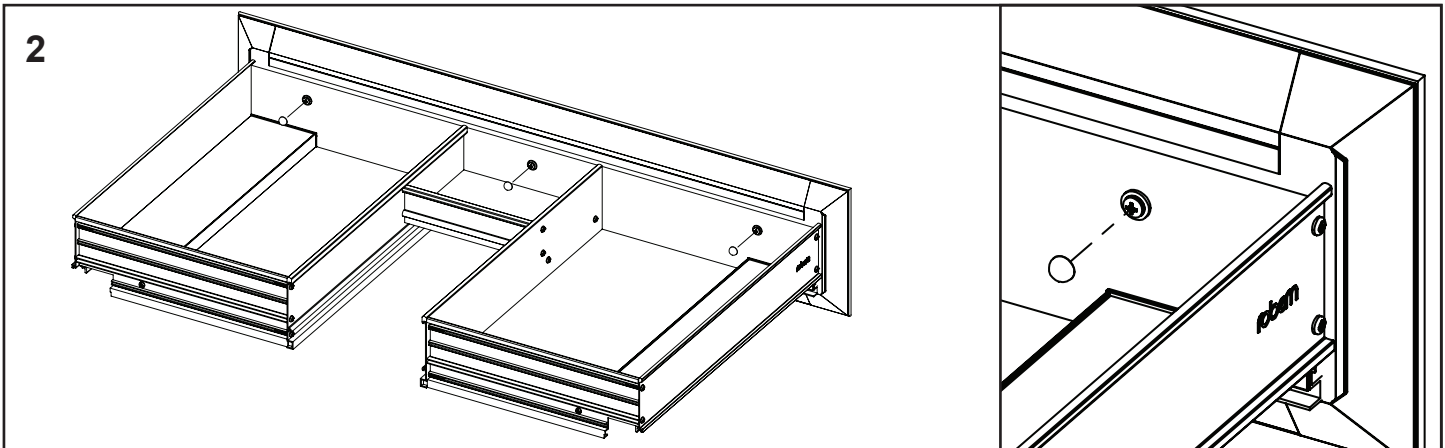
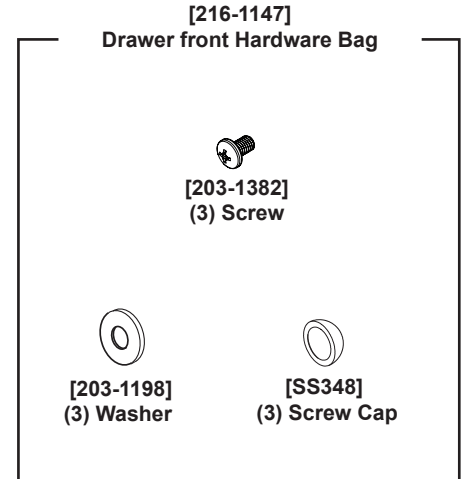
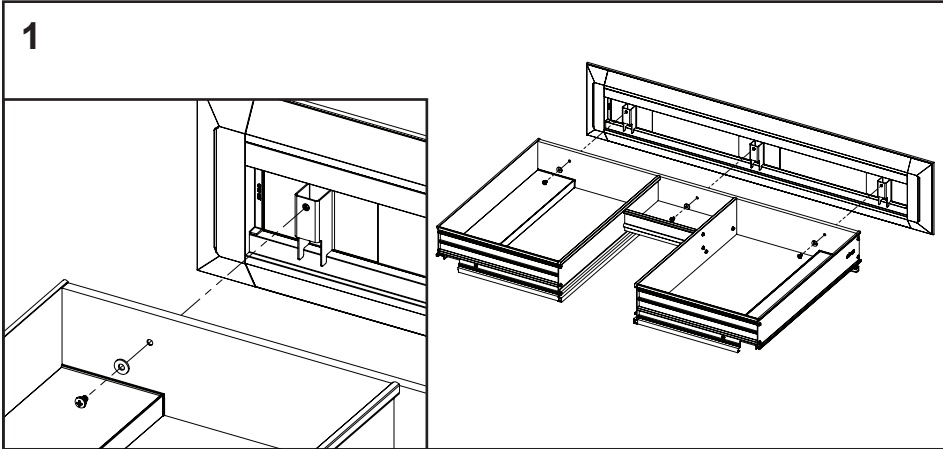
1. Lay the drawer onto the drawer slides as shown (Fig.1).
2. Push the drawer in until an audible sound, a series of clicks, is heard on each side (Fig. 2).
3. Ensure that the locking pin on the back of the drawer slides engage the drawer on both sides, and that the clips are firmly engaged before letting go of the drawer.



GLASS DRAWER FRONT

Install the counter top and plumbing before installing the glass drawer front.

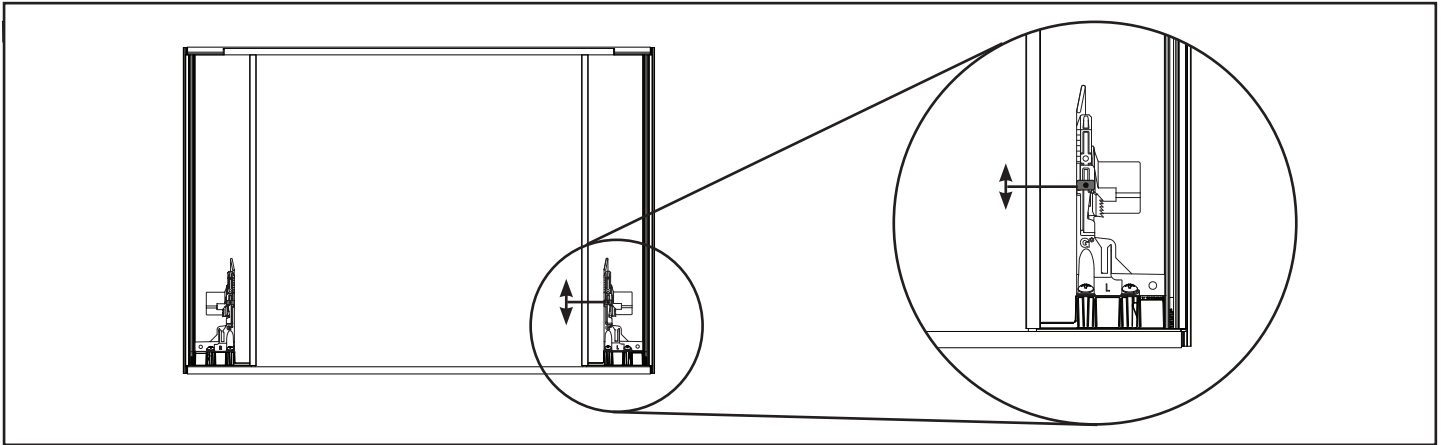
1. Thread the screw and washer through the holes inside the drawer to the glass front (Fig.1).
2. Install the screw caps (Fig. 2).



ADJUSTING DRAWER FRONTS

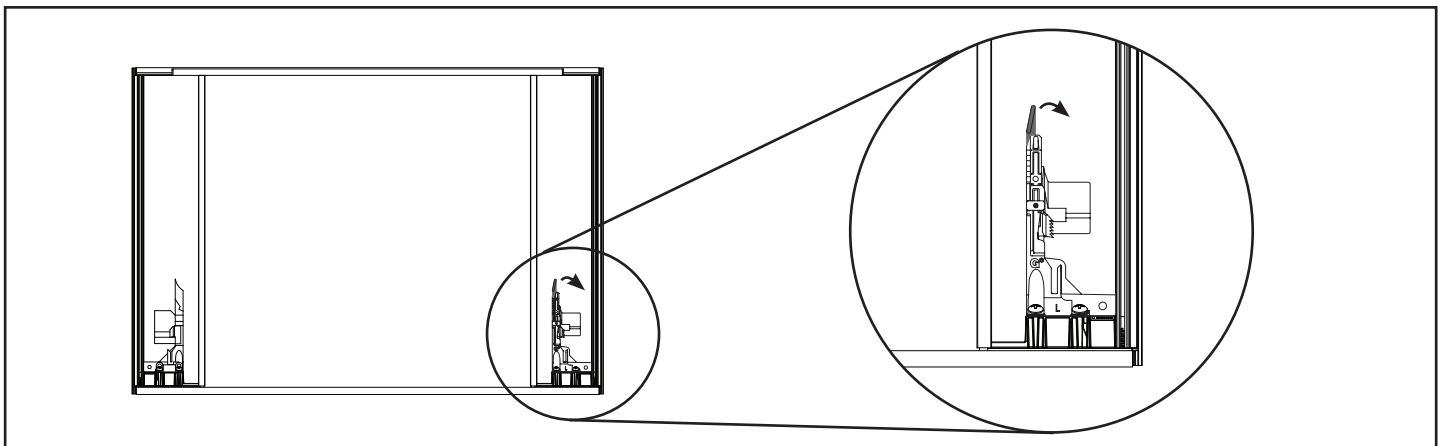
Note: Proper installation is very important for proper drawer front alignment on Robern vanities. Making sure the vanity is level and square in all directions is very important.

1. Loosen the drawer front mounting screws (refer to page 15) to make rough adjustments. Adjust the front both vertically and horizontally. Once aligned, tighten the screws. When working with multiple drawers, do this step on all drawer fronts before proceeding.
2. Fine adjustments can be done with the adjustment features incorporated in the locking clips. Height adjustment of the drawer front is done with the slider. Each side may be adjusted independently.



DRAWER REMOVAL

1. If a drawer needs to be removed, no tools are required.
2. Reaching under each side of the drawer, pull the levers on the locking devices to disengage the clips, and pull out the drawer.
! Caution: You will now be carrying the weight of the drawer!
3. Place the drawer in a safe location so no damage occurs.

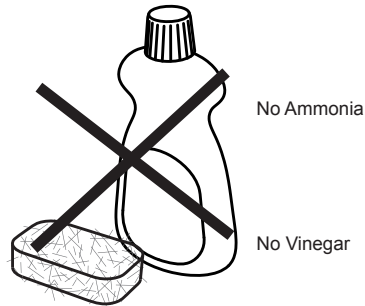


USE AND MAINTENANCE

The vanity sides, drawer front and interior are constructed of glass and aluminum. Use only a damp cloth to clean. Ammonia or vinegarbased cleaners can damage mirrors.

A 50/50 solution of water and isopropyl alcohol is recommended for cleaning the vanity. A mild detergent may be used on the surfaces.

When cleaning, spray the cloth, not the vanity, mirror, or surround surfaces. Do not use abrasive cleansers on any part of the vanity.



WARRANTY

Limited Warranty One Year Term

Robern warrants to the original purchaser that, it will, at its election repair, replace, or make appropriate adjustment to products made by this company shown to have significant defects in material or workmanship which are reported to Robern in writing within one (1) year from the date of delivery. Robern is not responsible for installation costs. The warranty is void in the event the product is damaged in transit, or if damage or failure is caused by abuse, misuse, abnormal usage, faulty installation, damage in an accident, improper maintenance, or any repairs other than those authorized by Robern. At the expiration of the one year warranty period, Robern shall be under no further obligation under any warranty, expressed or implied, including the implied warranty of merchantability. Robern shall not be liable for any consequential damages arising out of or in connection with the use or performance of its products. Some states do not allow limitations on how long an implied warranty lasts or do not allow the exclusion or limitation of incidental or consequential damages, so the above limitation or exclusion may not apply to you. Any liability against Robern under any implied warranty, including the warranty of merchantability, is expressly limited to the terms of this warranty. Permission to return any merchandise under this warranty must be authorized by Robern and returned prepaid by the purchaser. Claims under this warranty should be sent directly to your dealer.

©2016 Robern, Inc.
ALL RIGHTS RESERVED