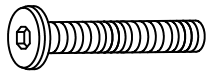



Ax6 





Fx3 

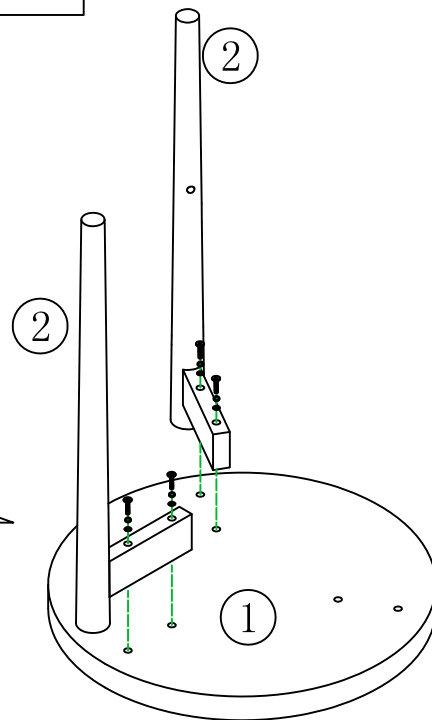
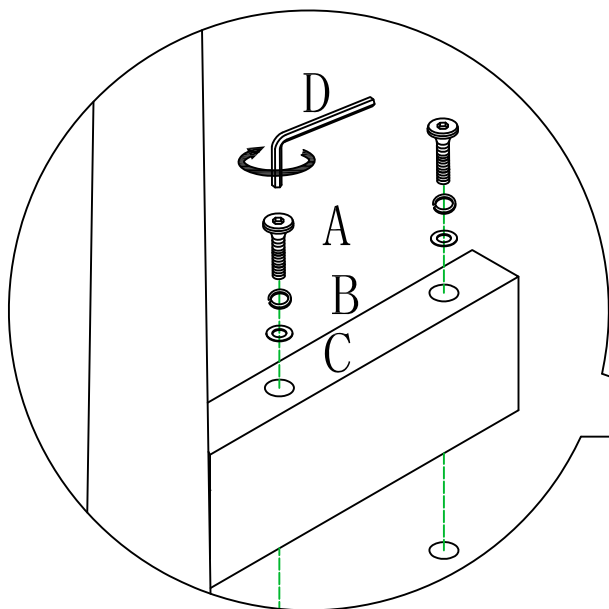
Bx6 

Cx6 

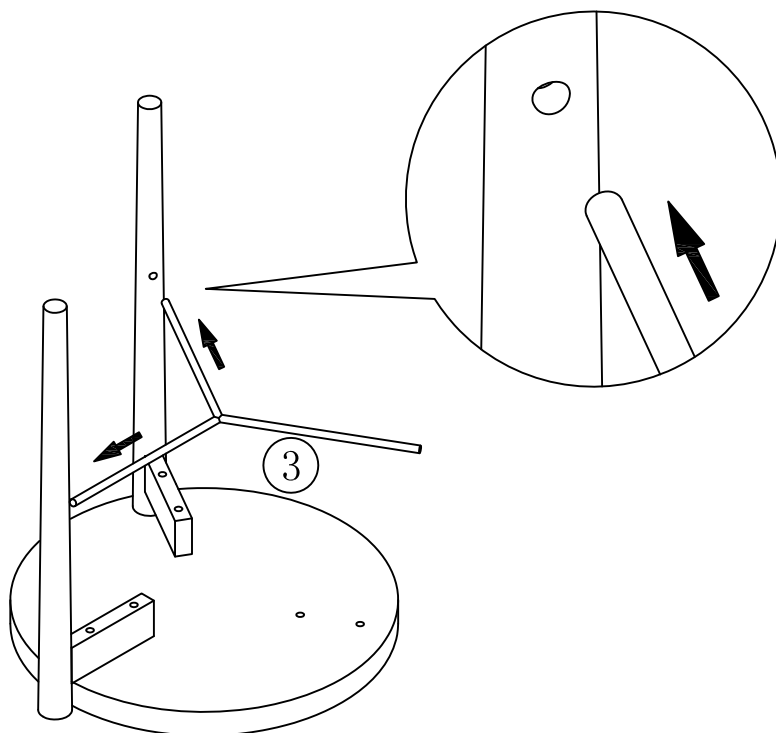
Dx1 

1





Ax4		Cx4	
Bx4		Dx1	

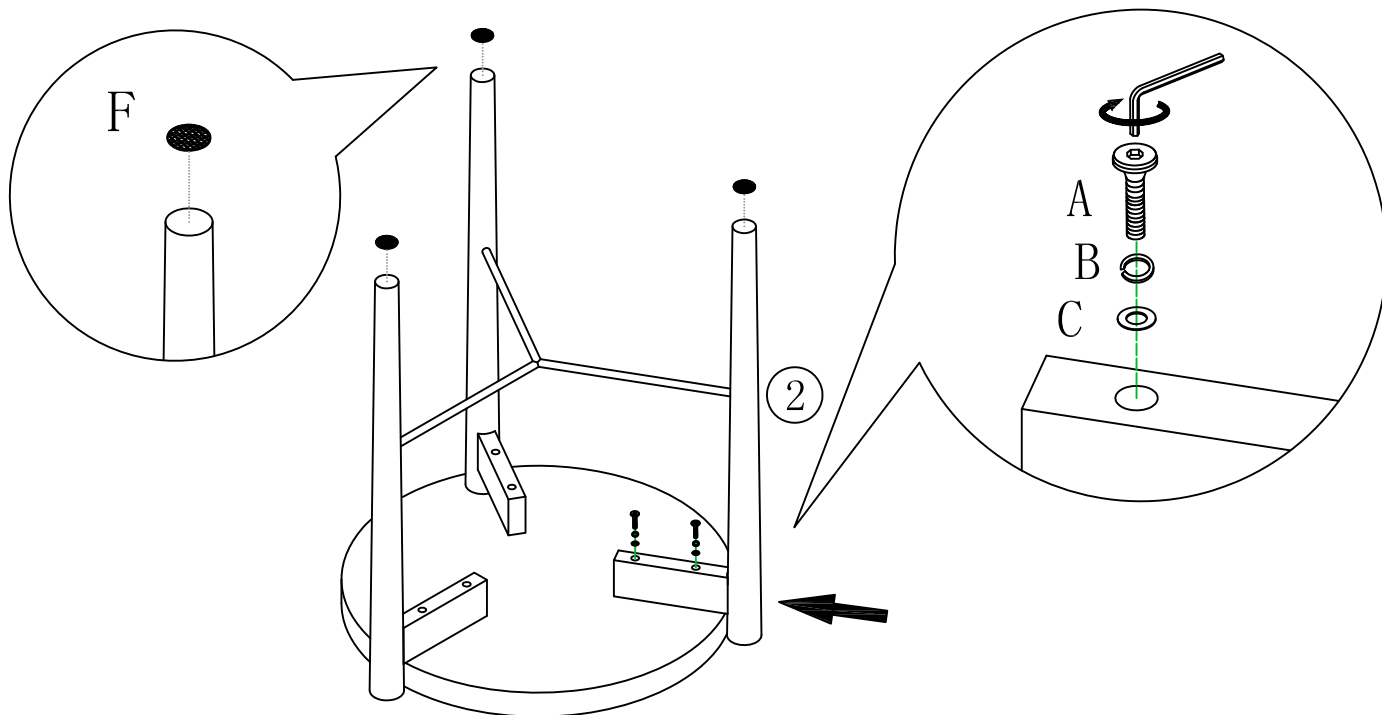


2

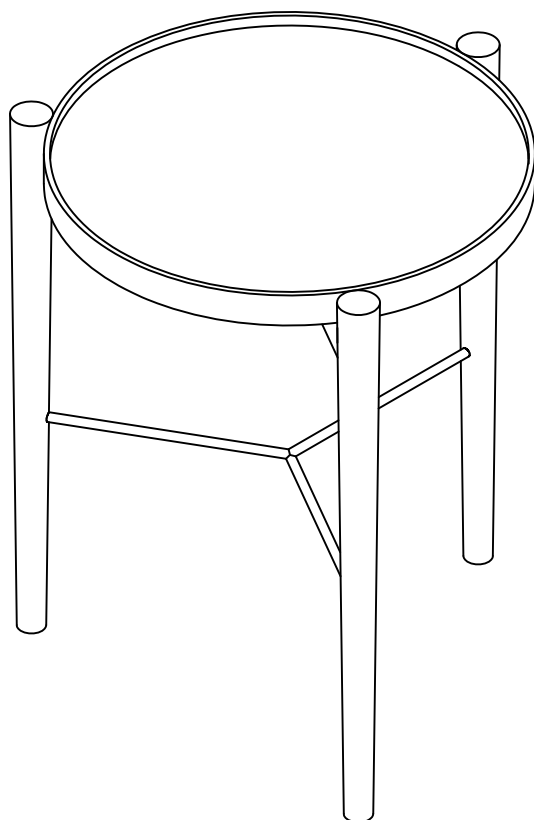


3

Ax2		Cx2	
Bx2		Fx3	



4



4-4