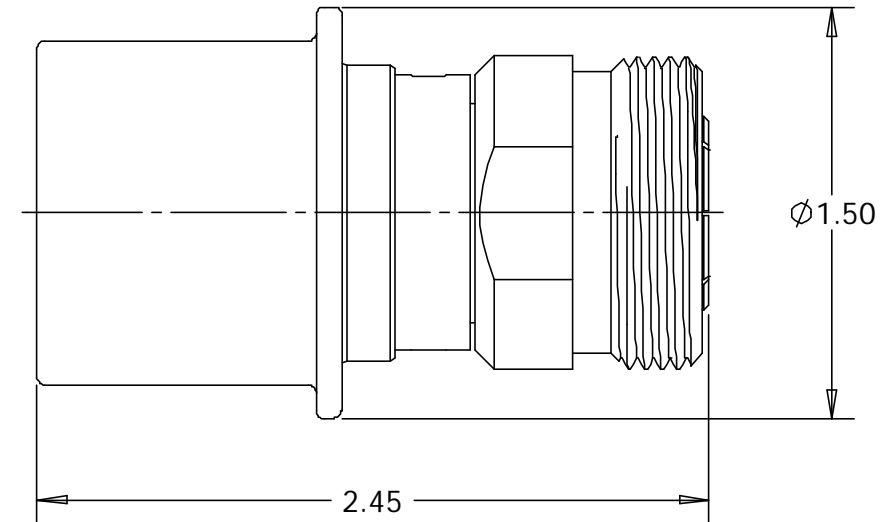
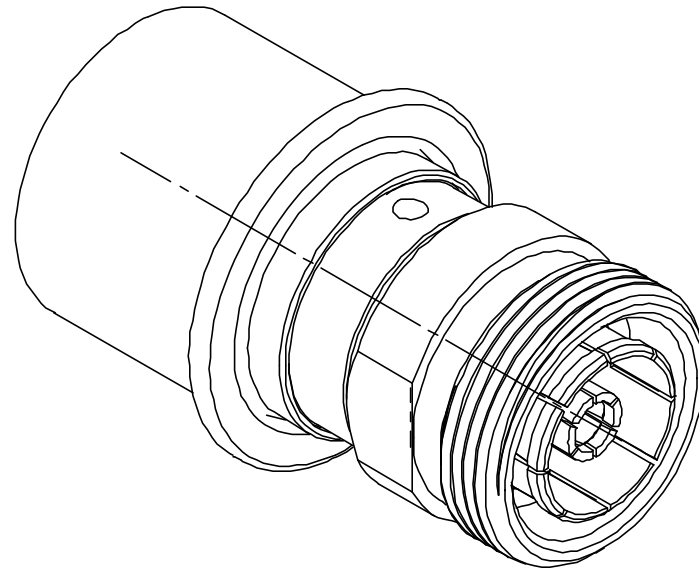


This document, including the design, configuration and mechanical features revealed herein are the sole, confidential and proprietary property of TRU Corporation. Reproduction or use thereof, in whole or part, is prohibited without the prior written consent of TRU Corporation.

REV.	DESCRIPTION	DATE	APPROVED
-	ORIGINAL ISSUE	10/22/03	RMK
A	CHANGED PER ECO 2751	6/8/05	DA
B	CHANGED PER ECO 2881	9/8/05	AM



**ENGINEERING DATA:**

**ELECTRICAL:**

IMPEDANCE: 50 OHMS NOMINAL  
 FREQUENCY RANGE: DC to 1.0 GHz  
 VOLTAGE RATING: 3,000 VOLTS

**MECHANICAL:**

INTERFACE: 7-16(f) PER IEC-169-4, DIN-47223  
 QRM (m) PER TRU SPECIFICATION

**MATERIAL:**

INSULATORS: PTFE (TEFLON)  
 CENTER CONTACTS: BRASS, BeCu  
 OUTER CONTACTS: PHOSPHOR BRONZE & BeCu  
 OTHER METAL PARTS: BRASS

**FINISH:**

CENTER CONTACTS: GOLD PLATED  
 OTHER METAL PARTS: NICKEL PLATED

**ENVIRONMENTAL:**

TEMPERATURE RANGE: -65°C to 165°C

**NOTES:**

1. UNLESS OTHERWISE SPECIFIED; ALL DIMENSIONS ARE REFERENCE ONLY.

MATERIAL	DO NOT SCALE DRAWING	DRAWN RMK	DATE 10/22/03	<b>TRU CORPORATION</b> 245 LYNNFIELD STREET, PEABODY, MA 01960 <i>The Custom Interconnect Leader™</i>
	UNLESS OTHERWISE SPECIFIED: DIMENSIONS ARE IN INCHES	ENG APPR. RMK	DATE 10/22/03	
		MFG APPR.	DATE	
		OTHER APPR.	DATE	
COMMENTS:	TOLERANCES: FRACTIONS: ±1/64 .XX : ±.01 .XXX: ±.005 ANGLES: ±1/2° MACHINED SURFACES: 63 ✓	THIRD ANGLE PROJECTION		TITLE: CONNECTOR, COAXIAL, RF QRM(m) TO 7-16(f) ADAPTER
path: S:\Warren - WIP\ECO 2881\TRU-1213-GNX\		SIZE <b>B</b>	DWG. NO. TRU-1215-GNX	REV <b>B</b>
surface area: sq inch		weight: lbs	CAGE CODE: 92180	SCALE: 1.5:1