



FLEX STEEL®

6722-01 End Table

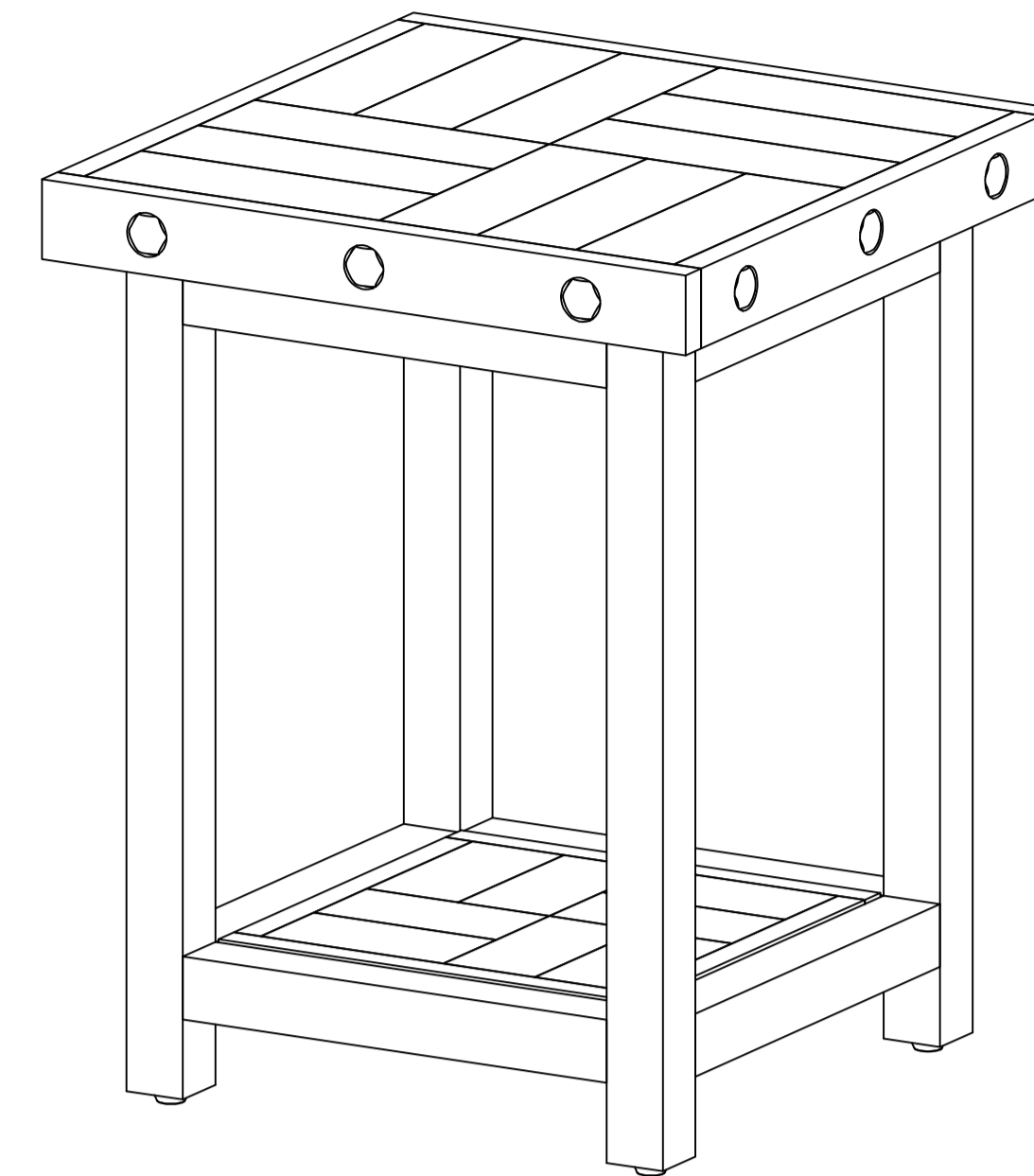
6722-02 Lamp Table

6722-07 Chairside Table

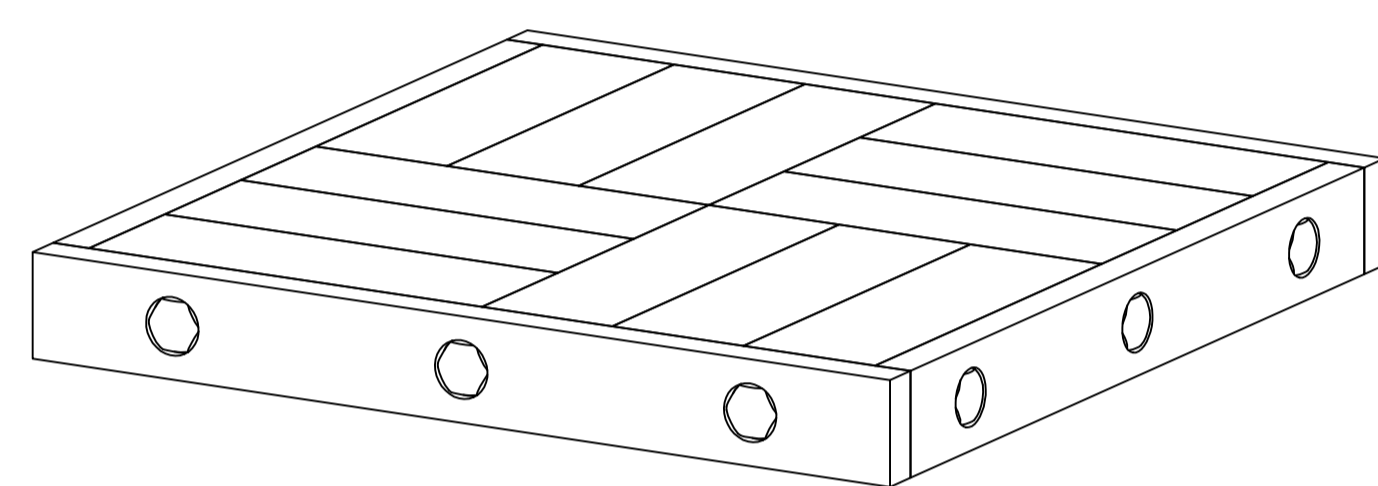
IMPORTANT NOTE

Carefully remove all the parts from the carton and put them individually on a soft cloth to prevent damage to the parts.

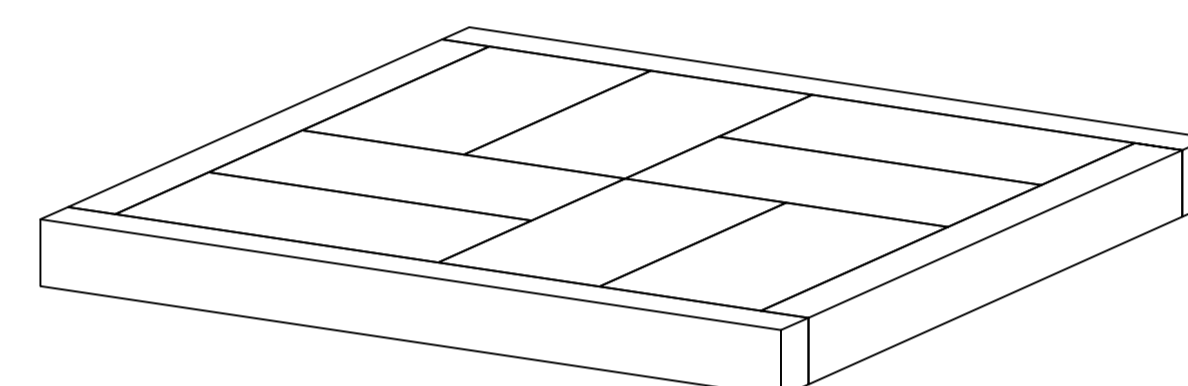
We have taken great care in the design of this product and request that you carefully and strictly follow our assembly instructions to ensure a completed product as it was designed.



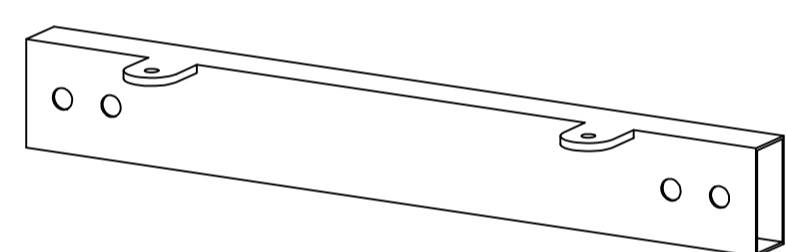
Part List



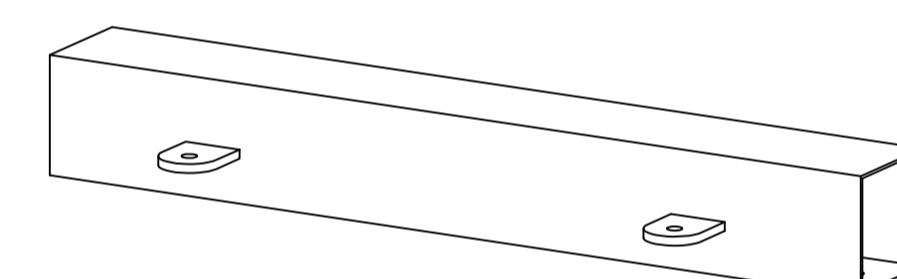
A. Top Panel
1 piece



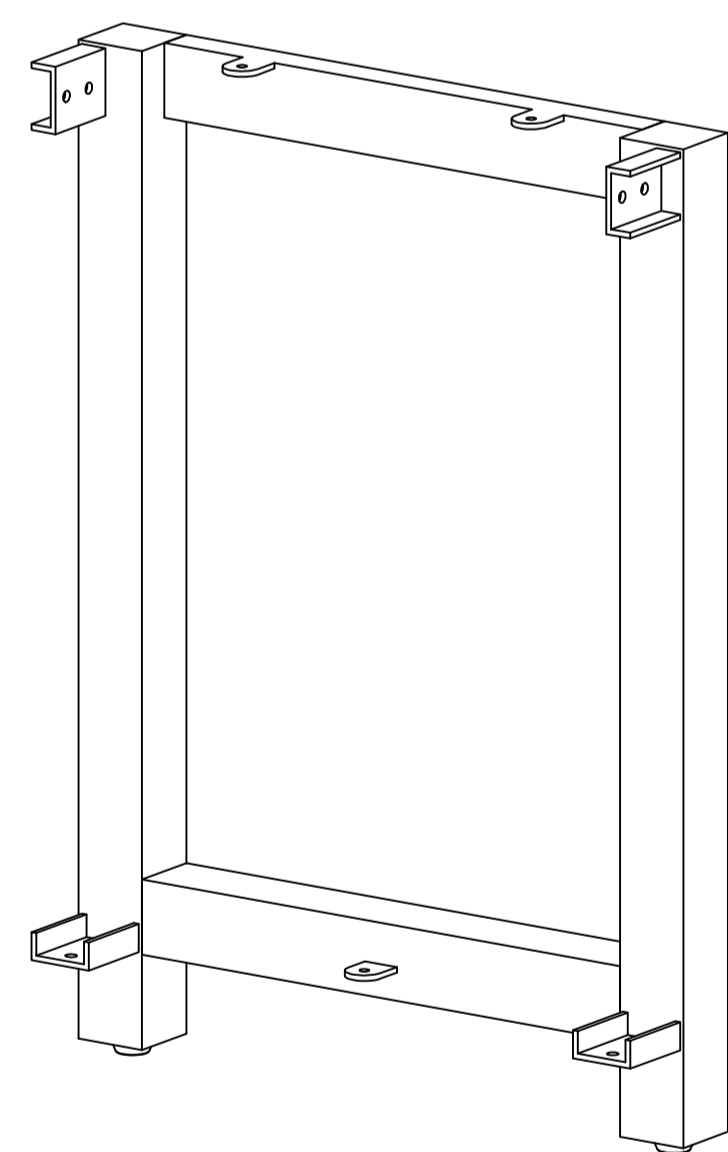
B. Shelf
1 piece



C. Support Rail
2 pieces

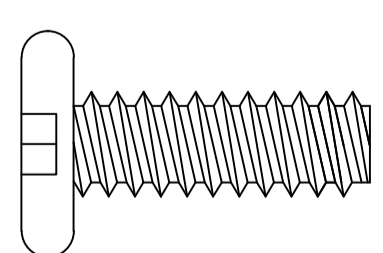


D. Stretcher
2 pieces

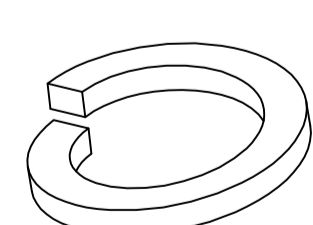


E. Side Frame
2 pieces

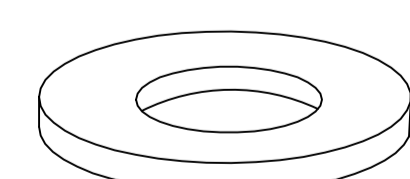
Hardware List



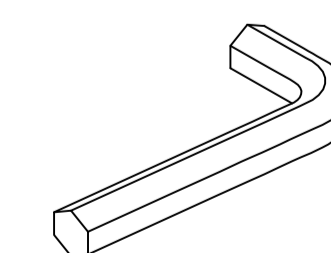
Bolt
16 pieces (+ 1 extra)



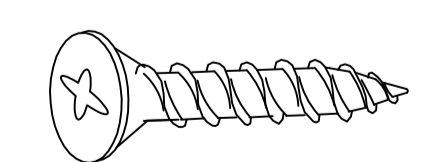
Spring Washer
16 pieces (+ 1 extra)



Flat Washer
16 pieces (+ 1 extra)



Hex Key
1 piece



Screw
14 pieces (+ 1 extra)

Tool(s) recommended for assembly: Level and Screwdriver

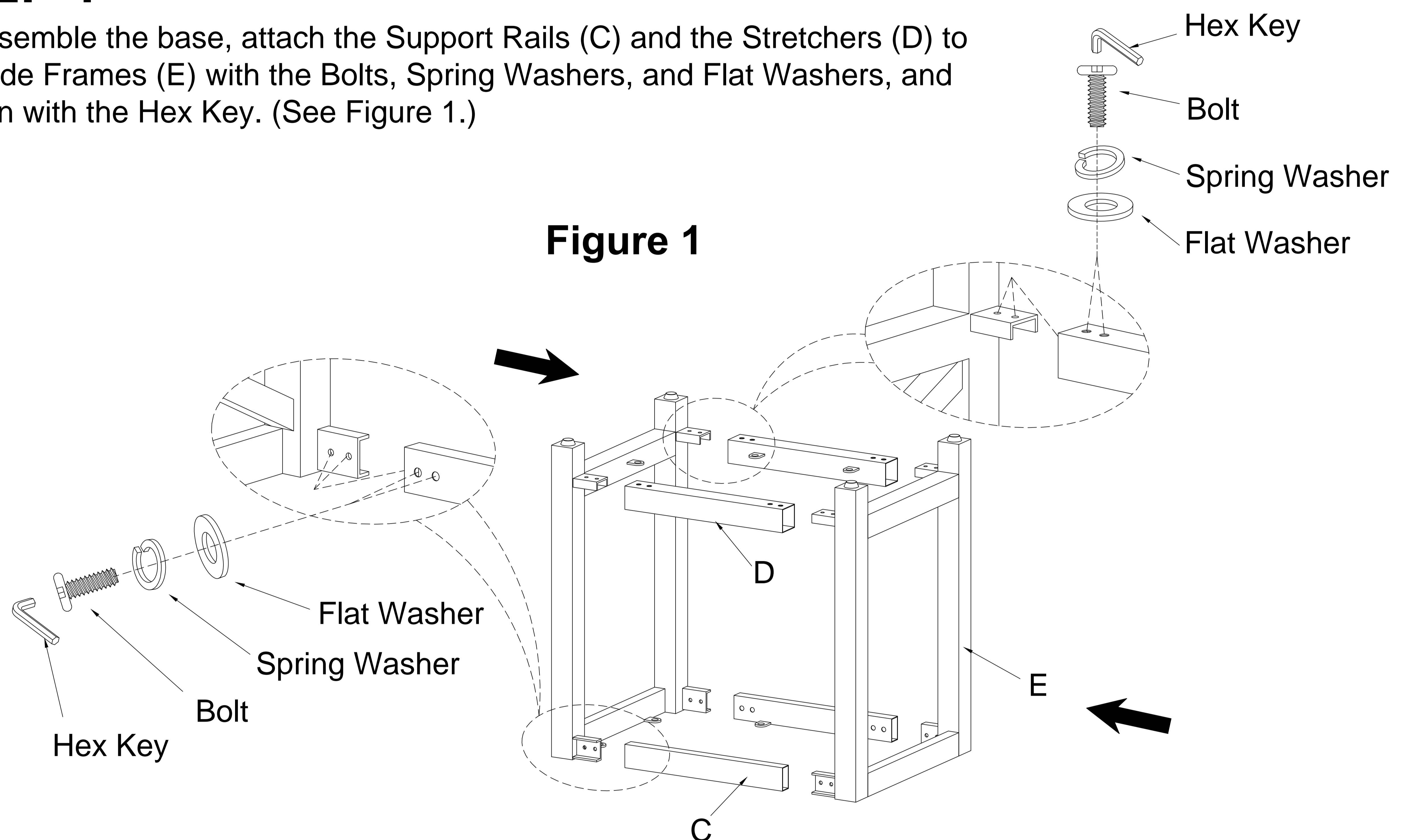


IMPORTANT

- Do not tighten up all the screws until each part is properly assembled.
- You should keep the Hex Key in a safe place as you may need to tighten up the bolts in the future.
- Use a soft cloth between these parts and the floor.

STEP 1

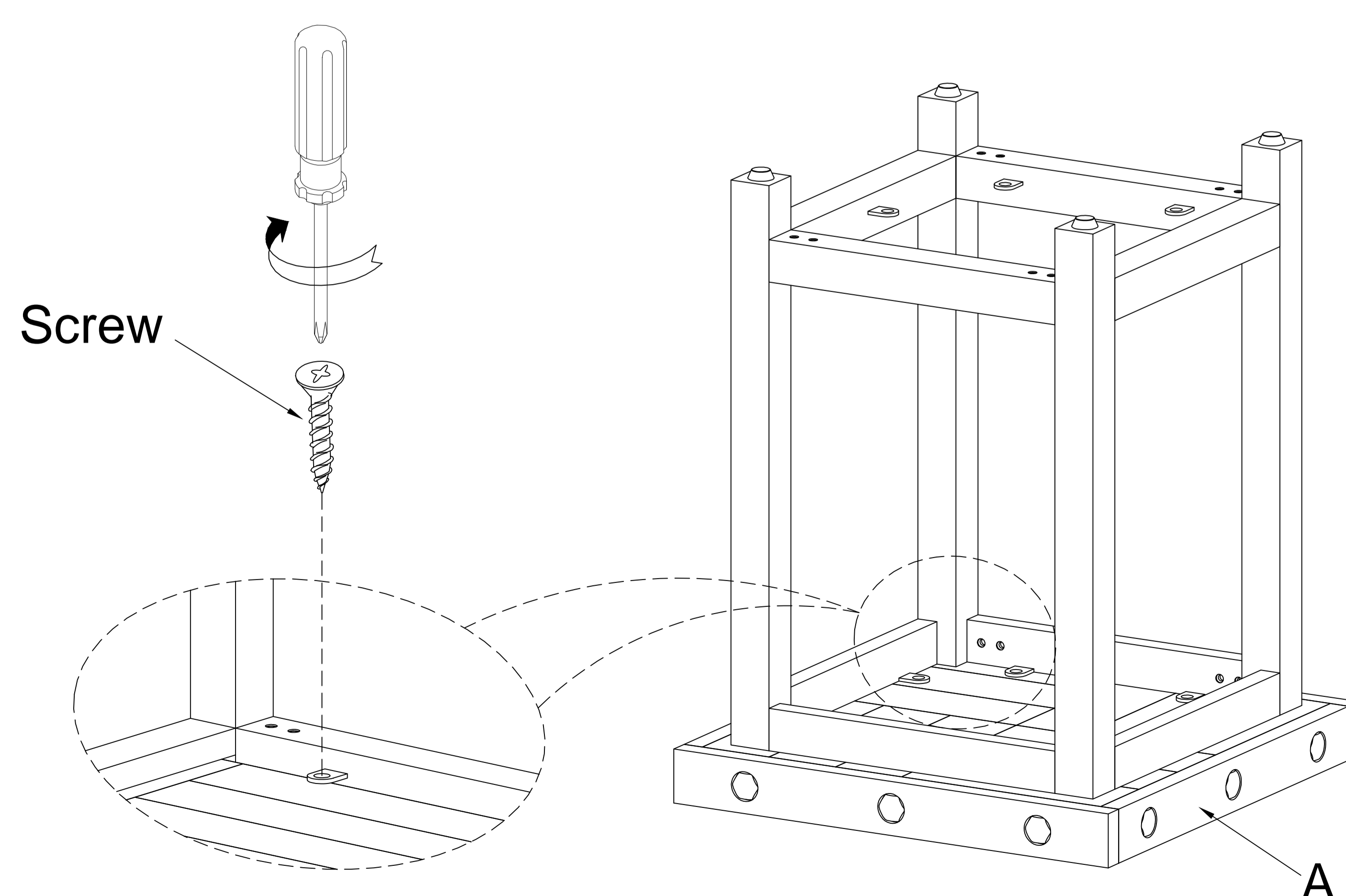
To assemble the base, attach the Support Rails (C) and the Stretchers (D) to the Side Frames (E) with the Bolts, Spring Washers, and Flat Washers, and tighten with the Hex Key. (See Figure 1.)



STEP 2

Attach the assembled base to the Top Panel (A) using the Screws provided. (See Figure 2.)

Figure 2

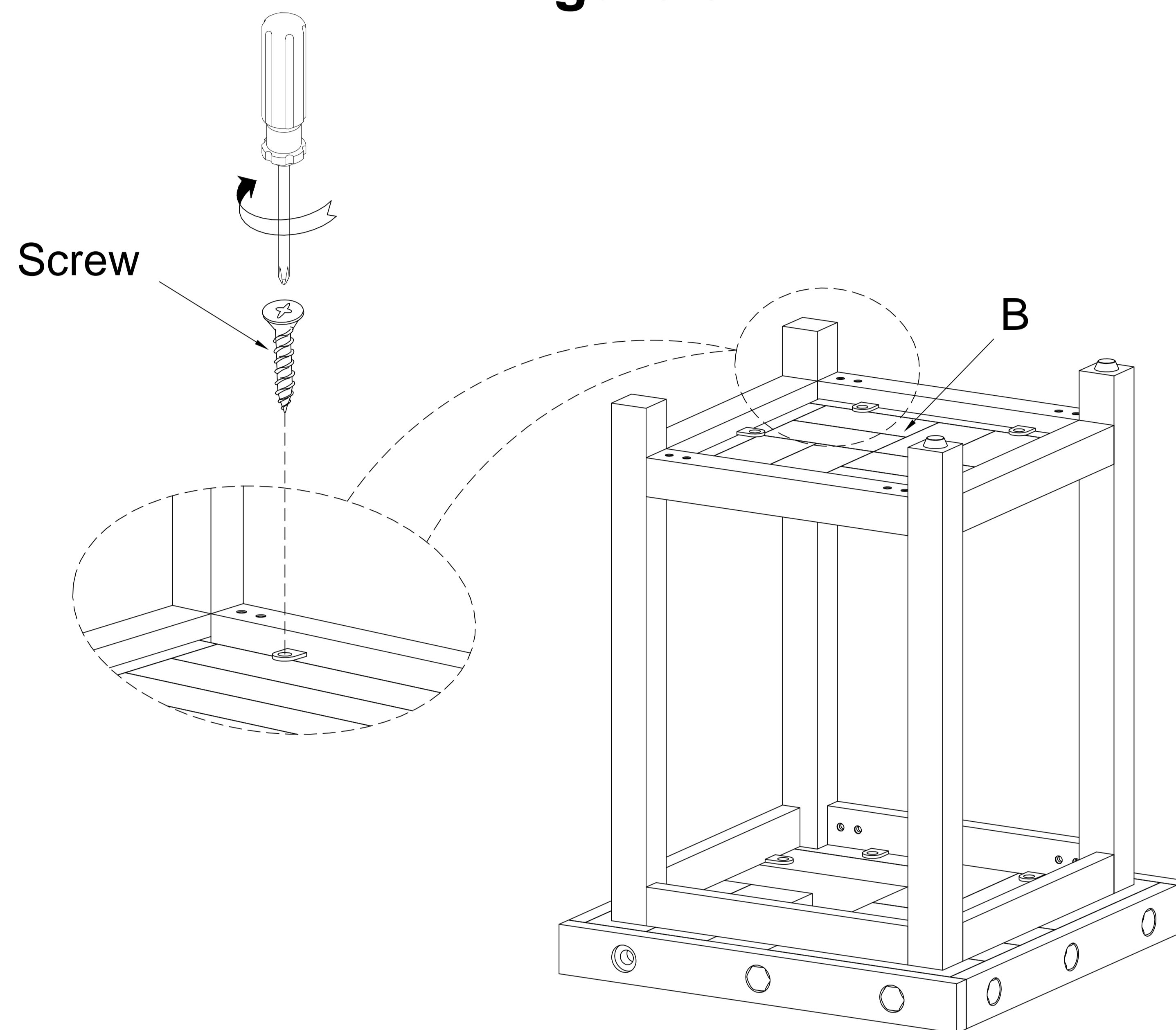




STEP 3

Attach the Shelf (B) to the assembled base using the Screws provided. (See Figure 3.)

Figure 3



STEP 4

Adjust the levelers on the legs until the furniture is level. (See Figure 4.)

Figure 4

