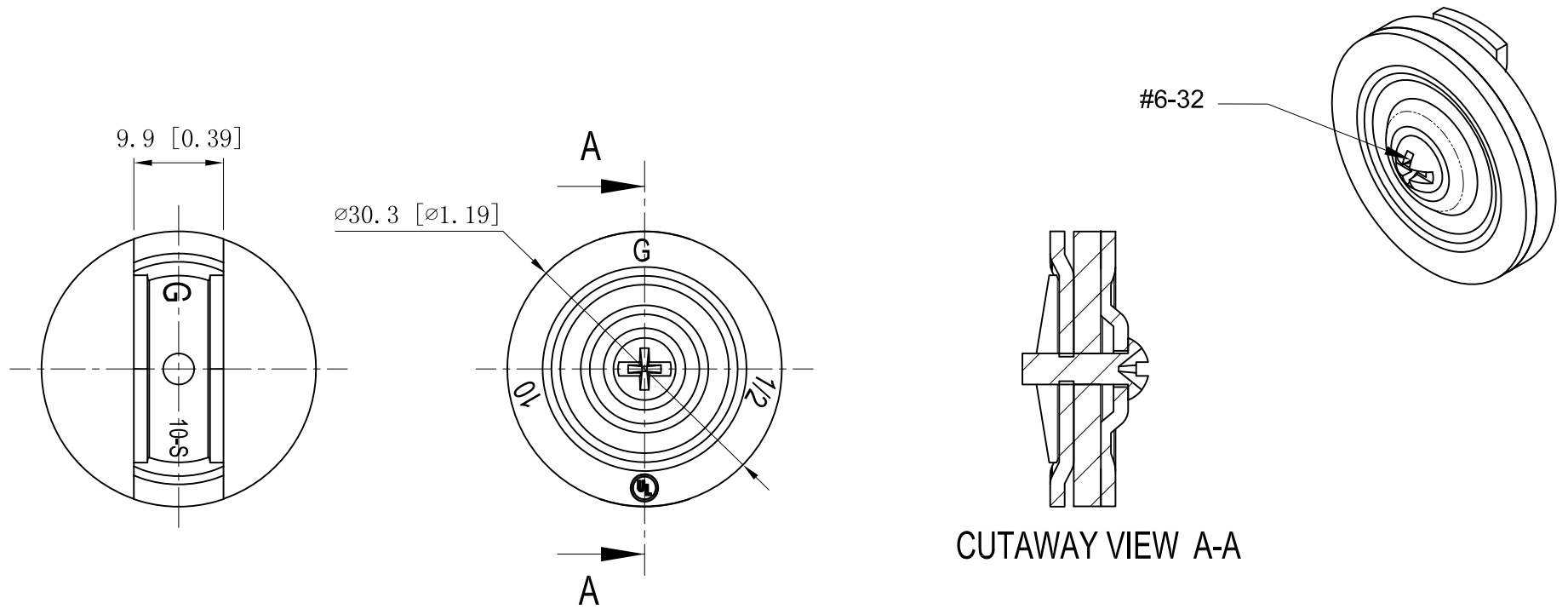


SIDES	BOTTOM
1 PCS 6-32×1/2 Screws Installed	
Material:Steel-0.0625"-C. R. S Galvanized	



This data sheet is for reference only .GARVIN INDUSTRIES reserves the right to make changes to the design without prior notice.

DESCRIPTION
TRADE REFERENCE TERMS

STANDARD PACKING
10 PCS

GARVIN INDUSTRIES			
TITLE KNOCKOUT SEALS			
SIZE A4	DWG NO.	KOS-50-VT	REV A
DATA SHEET			