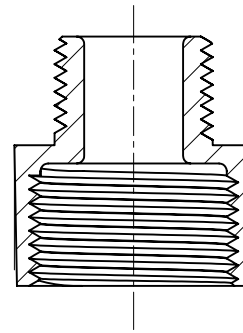
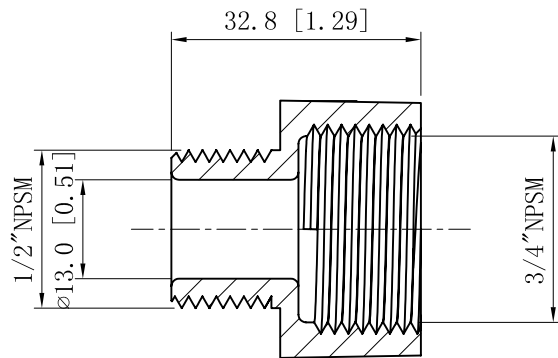
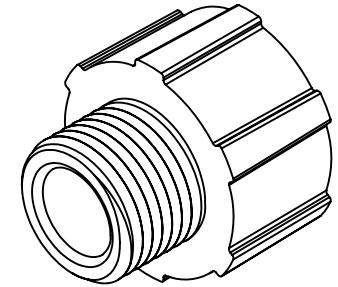


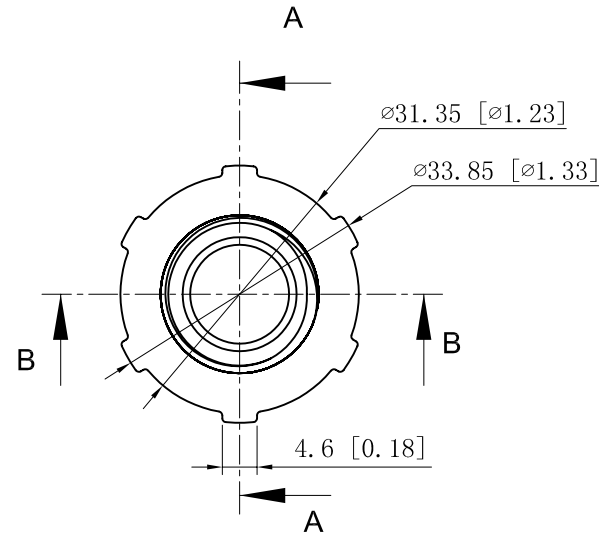
SIDES	BOTTOM
Material: Steel-Malleable Iron 32510 Galvanized	



VIEW B-B



VIEW A-A



This data sheet is for reference only .GARVIN INDUSTRIES reserves the right to make changes to the design without prior notice.

DESCRIPTION
TRADE REFERENCE TERMS

STANDARD PACKING
10 PCS

GARVIN INDUSTRIES		
TITLE MALE ENLARGERS		
SIZE A4	DWG NO. E5075	REV
DATA SHEET		