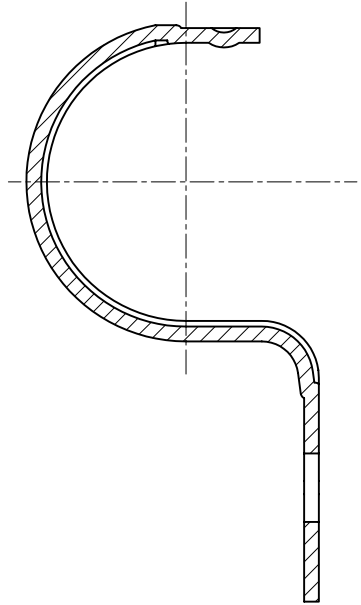
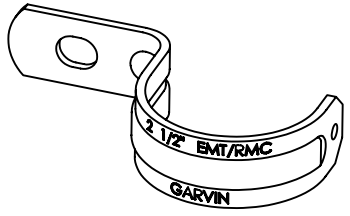
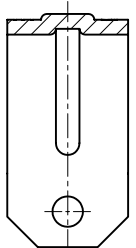
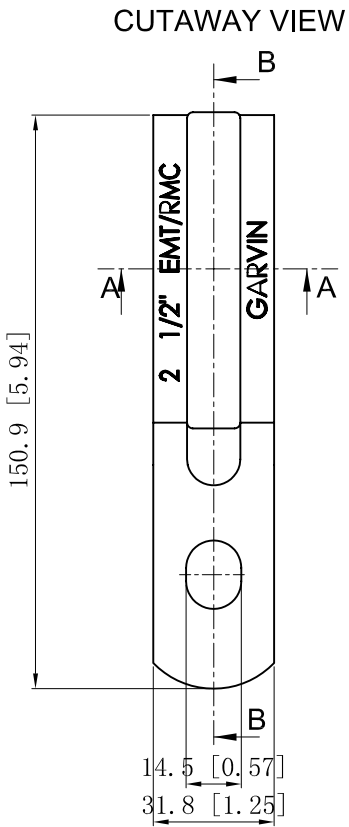


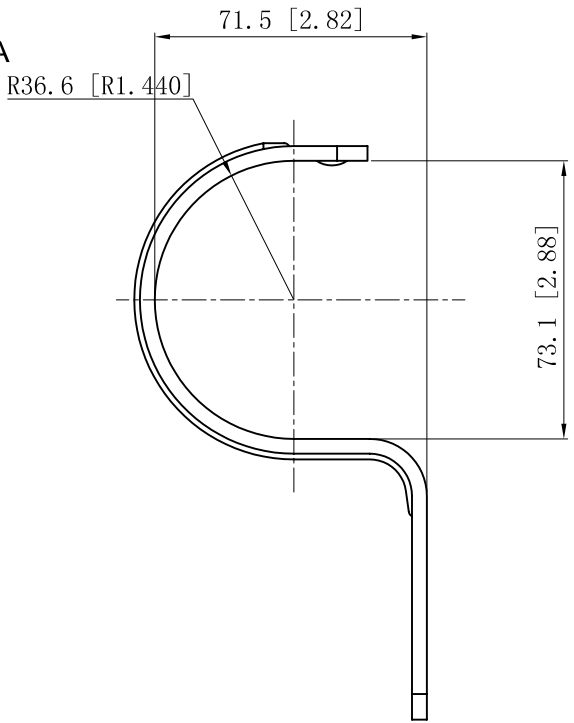
SIDES	BOTTOM
Material: Steel-(0.150"-0.157")-C. R. S Zinc Plated	



CUTAWAY VIEW B-B



CUTAWAY VIEW A-A



DESCRIPTION
TRADE REFERENCE TERMS

STANDARD PACKING
25 PCS

This data sheet is for reference only .GARVIN INDUSTRIES reserves the right to make changes to the design without prior notice.

<b>GARVIN INDUSTRIES</b>		
TITLE <b>ONE-HOLE STRAPS</b>		
SIZE A4	DWG NO. OHS-250	REV
DATA SHEET		