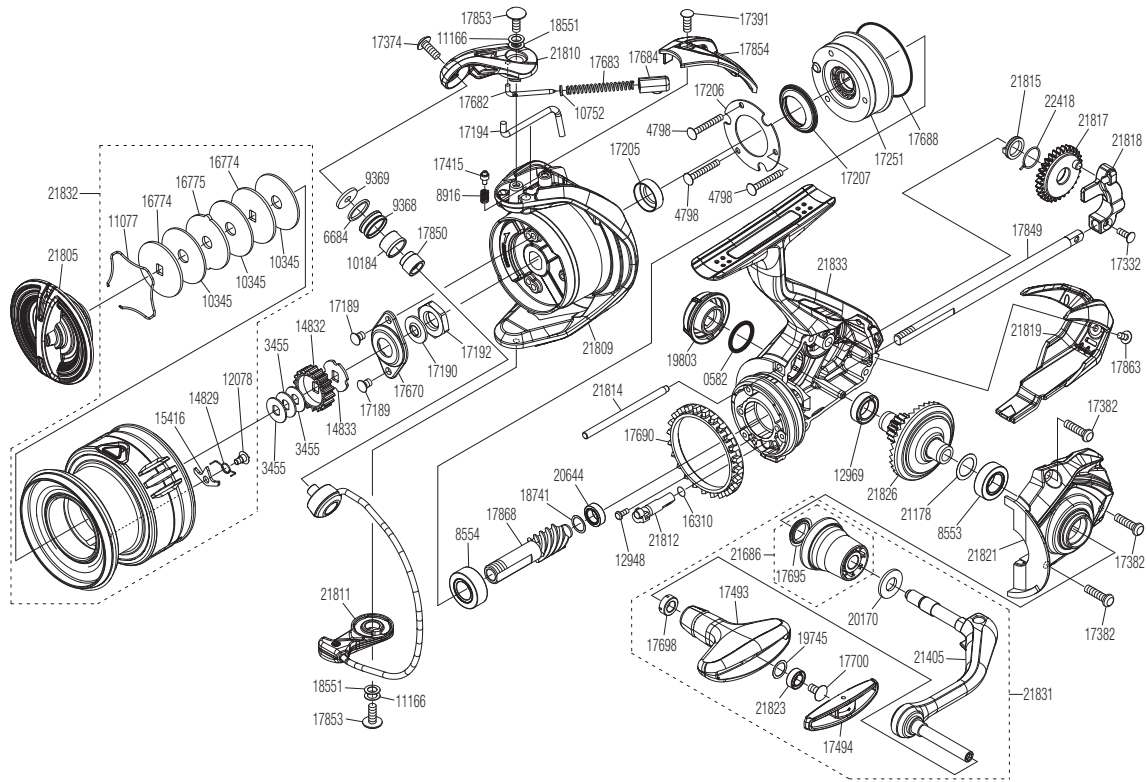


SHIMANO

NASCI

NS-C3000HG



Please note that the number of adjusting washers may not always be the same as shown in the exploded views.

(51SF45E036X)

Please note that your actions take full responsibility when you take it apart.

#	Part No.	Description	#	Part No.	Description	#	Part No.	Description
0582	108WH	O Ring	17206	10L62	Roller Clutch Reinforce	20170	10E5X	Washer
3455	10BXN	Spool Washer	17207	10MH6	Roller Clutch Water Proof	20644	10RKR	Ball Bearing
4798	103C6	Screw	17251	10QPN	Roller Clutch Assembly	21178	10EEZ	Washer
6684	10KFD	Spacer	17332	10R1P	Screw	21405	1010J	Handle Shank Assembly
8553	107AT	Ball Bearing	17374	10K90	Screw	21686	10SY7	Handle Shaft Cover Assembly
8554	107FE	Ball Bearing	17382	10L6J	Screw	21805	100K9	Drag Knob Assembly
8916	10CH0	Click Spring	17391	10LFK	Screw	21809	10TBE	Rotor
9368	10JLF	Line Roller	17415	106ZC	Click Pin	21810	10TBL	Bail Arm
9369	10PPF	Washer	17493	10R38	Handle Knob	21811	1017B	Bail Assembly
10184	10PFH	Bushing	17494	10R3A	Handle Knob Seal	21812	10TB2	Anti Reverse Cam
10345	10N5A	Drag Washer	17670	10TRH	Rotor Nut Lock Plate	21814	10TBF	Oscillating Guide
10752	10TYE	Bail Spring Guide A Collar	17682	1061L	Bail Spring Guide A	21815	10TBH	Bushing
11077	10MZX	Retainer	17683	105R6	Bail Spring	21817	100QJ	Oscillating Gear
11166	10KFA	Washer	17684	107AB	Bail Spring Guide B	21818	100KG	Oscillating Slider
12078	10PH4	Screw	17688	10MLU	O Ring	21819	10R8U	Rear Protector
12948	10L1N	Screw	17690	104FV	Friction Ring	21821	10R93	Side Cover
12969	107FA	Ball Bearing	17695	10PXV	Handle Shaft Seal	21823	10K64	Ball Bearing
14829	10PH3	Drag Click Spring	17698	10PXZ	Bushing	21826	100QB	Drive Gear
14832	103MU	Spool Support A	17700	10LFA	Screw	21831	100KH	Handle Assembly
14833	10J04	Spool Support B	17849	10DMK	Main Shaft	21832	100QA	Spool Assembly
15416	1038H	Drag Click	17850	1020X	Collar	21833	10174	Body Assembly
16310	108WU	O Ring	17853	10LFH	Screw	22418	10RPB	Bushing Spring
16774	10BCE	Key Washer	17854	10DNX	Bail Spring Cover			
16775	102ZD	Eared Washer	17863	10LCS	Screw			
17189	10PMC	Screw	17868	10DMH	Pinion Gear			
17190	107L4	Bearing Water Proof	18551	10K96	Washer			
17192	1067Y	Rotor Nut	18741	10SYU	Washer			
17194	106P2	Bail Trip Lever	19745	104FH	Washer			
17205	10JHG	Rotor Ring	19803	10RSK	Handle Screw Cap			