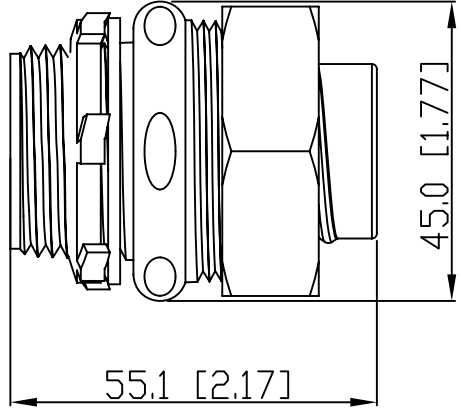
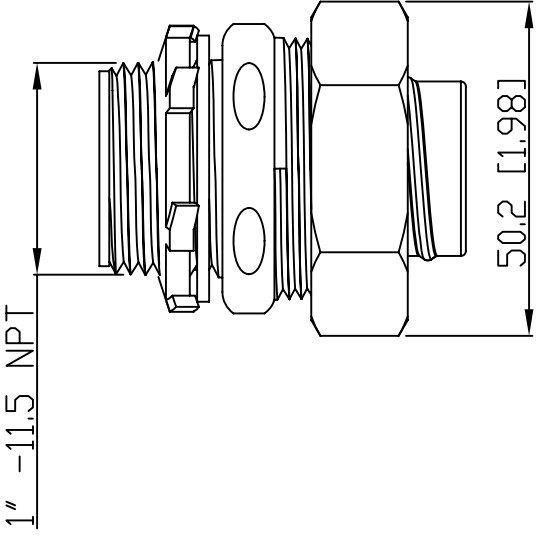
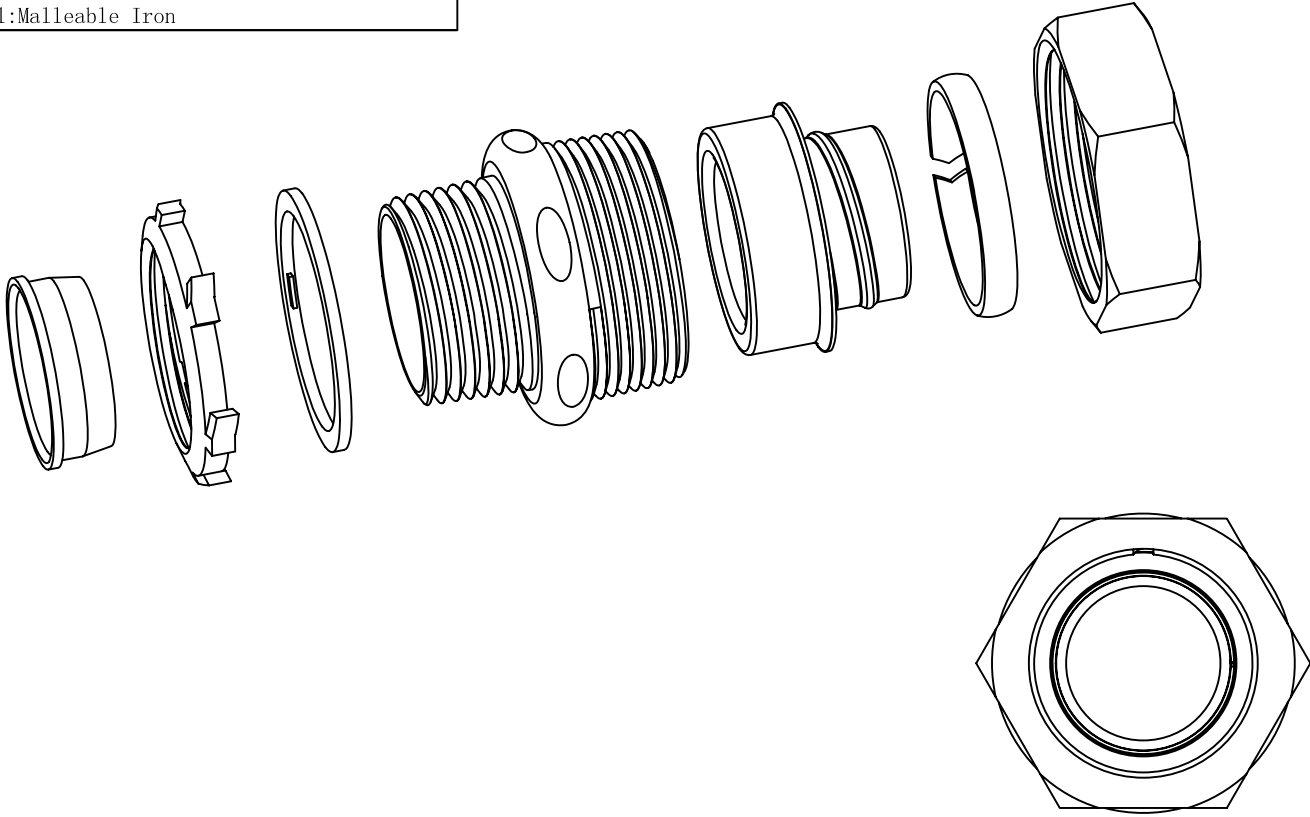


SIDES	BOTTOM
Material:Malleable Iron	



This data sheet is for reference only .GARVIN INDUSTRIES reserv the right to make changes to the design without prior notice.

DESCRIPTION
TRADE REFERENCE TERMS

STANDARD PACKING
5 PCS

TITLE			REV
Str Liquid Tight Conn, 1"			
SIZE	DWG NO.	REV	
A4	DS-LTC-100	A	