

TEMPERATURE

EXECUTIVE STYLE THERMISTOR AND RTD SENSOR TE200AD SERIES



DESCRIPTION

The Greystone Energy Systems Model TE200AD Series Executive Room Thermistor and RTD Sensor provides precision room temperature sensing for building automation systems. The active sensing element is made of a highly stable, precision thermistor material or platinum RTD.

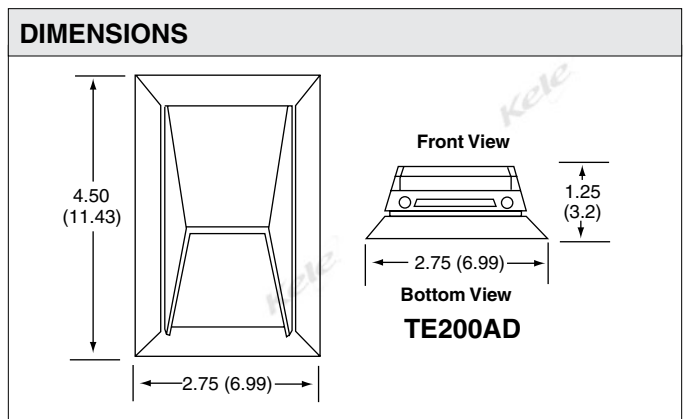
FEATURES

- $\pm 0.36^{\circ}\text{F}$ ($\pm 0.2^{\circ}\text{C}$) thermistor accuracy
- $\pm 0.54^{\circ}\text{F}$ ($\pm 0.3^{\circ}\text{C}$) RTD accuracy
- Wide selection of thermistor or RTD curves
- Vented housing for quick temperature response
- Durable plastic housing and base plate
- Easy to mount to wall or electrical box



TE200AD

SPECIFICATIONS	
Accuracy	
Thermistor	$\pm 0.36^{\circ}\text{F}$ ($\pm 0.2^{\circ}\text{C}$)
RTD	$\pm 0.54^{\circ}\text{F}$ ($\pm 0.3^{\circ}\text{C}$)
Sensor Type	
Thermistor	2,252 Ω , 3,000 Ω , 10,000 Ω , Type II & III, 20,000 Ω
RTD	100 Ω Platinum 385 curve, 1,000 Ω Platinum 385 curve
Temperature Coefficient	
Thermistor	Negative temperature coefficient
RTD	Positive temperature coefficient
Operating Temperature	32° to 122°F (0° to 70°C)
Enclosure Rating	NEMA 1, plastic
Wiring Terminations	6" leads
Weight	0.2 lb (0.09 Kg)
Approvals	CE, RoHs
Warranty	5 year



ORDERING INFORMATION

MODEL	DESCRIPTION
TE200AD2	100 Ω executive RTD @ 32°F (0°C), 385 platinum curve, 3 wire (red, red, white leads)
TE200AD6	3000 Ω executive thermistor @ 77°F (25°C) (light blue leads)
TE200AD7	10,000 Ω executive thermistor @ 77°F (25°C), Type III (light gray leads)
TE200AD8	2252 Ω executive thermistor @ 77°F (25°C) (gray leads)
TE200AD12	1000 Ω executive RTD @ 32°F (0°C), 385 platinum curve (gray leads)
TE200AD20	20,000 Ω executive thermistor @ 77°F (25°C) (green leads)
TE200AD24	10,000 Ω executive thermistor @ 77°F (25°C), Type II (yellow leads)
OPTIONS	
AS	Membrane momentary switch wired only N.O. to terminal block
BS	Momentary switch wired N.O.

TE200AD24

AS

Example: TE200AD24AS 10,000 Ω Type II executive sensor with membrane momentary switch.

RELATED PRODUCTS

T85U-XR
T81U-XR

1000 ohm, Type 85 4-20 mA temperature transmitter, custom rangeable
100 ohm, Type 81 4-20 mA temperature transmitter, custom rangeable