

Titan

TTN-180

180° Glass-To-Glass Hinge

PRODUCT DETAIL

The Future Glass Titan 180 Degree Glass-to-Glass Series Hinge is made from high-quality solid brass. The Titan, our largest hinge, supports door weights up to 150 lbs. Unlike other brands, Future Glass hinges feature a fixed rubber gasket designed to reduce door slippage. The unique square cut-out design alleviates the need for traditional mouse ear glass panel cut-outs. Eliminating the need to remove the backing plate completely when fixing the hinge to the door panel allows for significantly faster and easier installation.

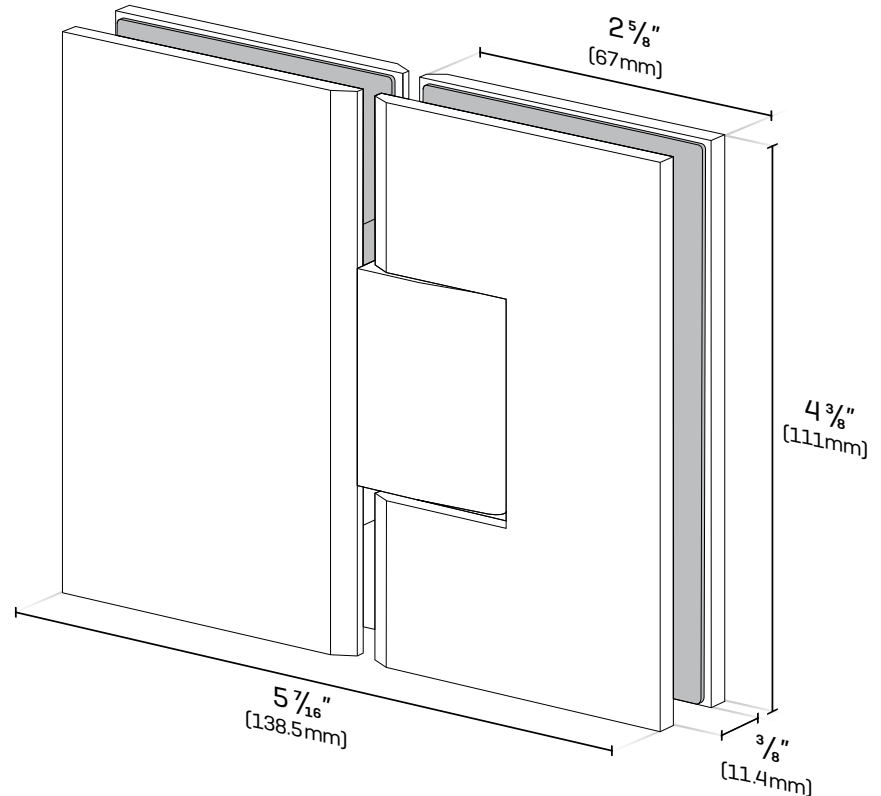
PRODUCT SPECIFICATIONS
Glass Panel Thickness: $\frac{3}{8}$ " to $\frac{1}{2}$ " (10 mm to 12 mm) Tempered Glass Only
Construction: Solid Brass
Closing Type: Self-Centering When Within 15° of Closed Position
Width: $5 \frac{7}{16}$ "
Height: $4 \frac{3}{8}$ "
Depth: $\frac{3}{4}$ "
Weight: 4.537 lbs.
Use: Residential and Commercial Shower & Bath Applications

GLASS FABRICATION INSTRUCTIONS

Use $\frac{3}{8}$ " to $\frac{1}{2}$ " (10mm to 12mm) thick monolithic tempered safety glass only. Use rectangle cut out options for quicker FastFit installation.

MAXIMUM DOOR CAPACITY	DOOR WEIGHT	DOOR WIDTH
USING 2 HINGES	130 lbs. [59 kg.]	36" [914 mm]
USING 3 HINGES	160 lbs. [72 kg.]	36" [914 mm]

NOTE: Do not exceed either maximum weight or width when choosing proper quantity of hinges.



CARE & CLEANING GUIDELINES

Future Glass shower door hardware should be dried daily after use with a soft towel or cloth to maintain original finish. Use a small amount of gentle liquid cleaner and avoid using harsh cleaners or chemicals. Never use abrasive products, coarse sponges, or wire scrub brushes when cleaning hardware. Wipe surfaces clean using a soft, dampened cloth or sponge, and rinse completely with warm water immediately after applying cleaning solution. Test cleaning solutions in an inconspicuous area prior to cleaning entire hardware surface. Many of the components are coated with a clear lacquer that can be damaged.

MAINTENANCE

Future Glass hinges are factory greased to ensure smooth and silent operation. If grime and buildup accumulate over time, we recommend using a multi-purpose oil to prevent any noticeable squeaking. Simply apply multi-purpose oil to the nylon washer at the pivot point of the hinge. Do not use spray lubricants or disassemble to apply multi-purpose oil. However, if hinge is disassembled for some other maintenance reason, apply a small amount of white lithium grease to the interior hinge components to lubricate.

Titan

TTN-180

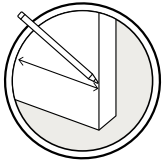
180° Glass-To-Glass Hinge

Preferred Rectangle
Cut Out (Ideal for Future Glass)

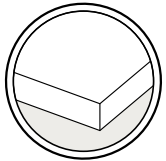
Alternate Mouse Ear
Cut Out



Do not measure images.
Use specified dimensions.

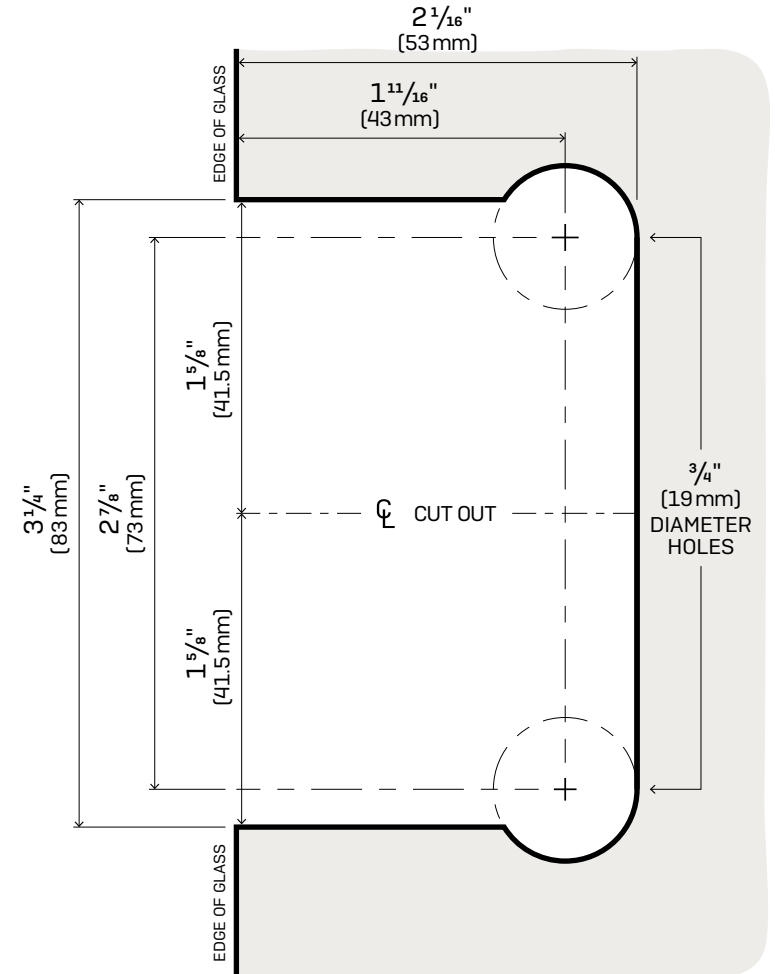
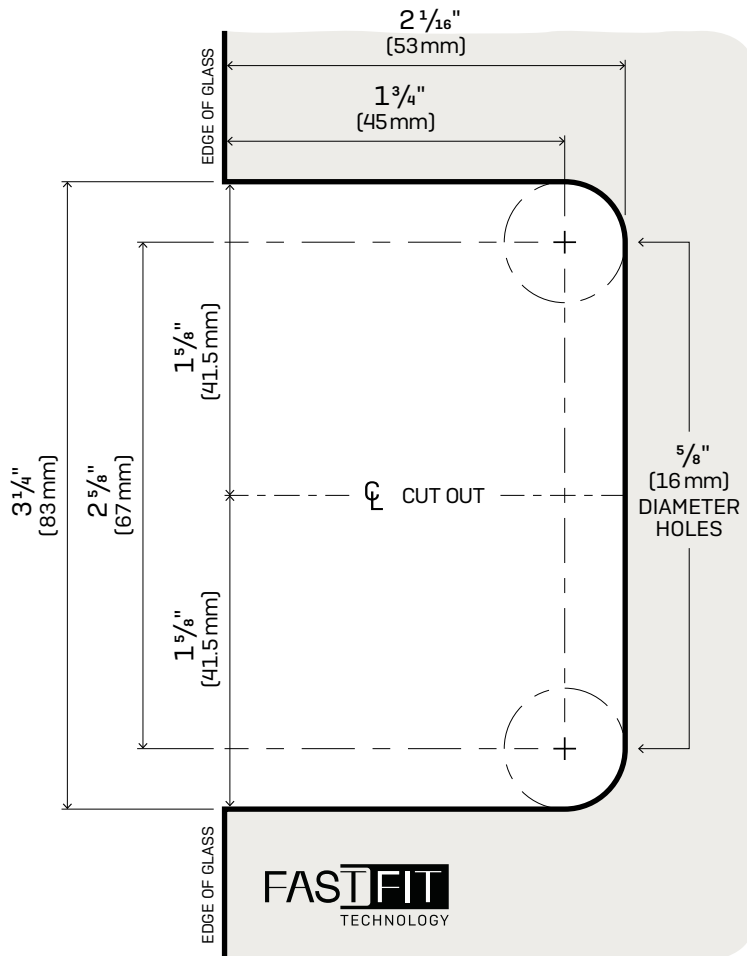


Measure from finished
edge of glass.



Use monolithic glass.

- > Use same selected cut out template for Fixed Panel and Door Panel
- > Use rectangle cut out option for quicker FastFit installation



Exclusive Limited Warranty Terms & Conditions.

Future Glass ("Seller") provides this warranty to the business or individual ("Buyer") who purchases a Future Glass product ("Product") from Seller for the purpose of re-selling the Product to an end user customer ("Customer"). Seller warrants to Buyer that for a period of five (5) years from the date of shipment of the Products to Buyer ("Warranty Period"), that the glass and hardware components of such Products (excluding seals) will materially conform to Seller's published specifications and will be free from material defects in material and workmanship. If a Product fails to conform to the foregoing warranty and Seller is given notice of such failure during the Warranty Period, Seller shall, in its sole discretion, either (i) repair or replace such Product (or the defective part) or (ii) refund the price paid for such Product. Seller may require that the Product be returned to Seller, at Seller's expense.

All warranty claims are subject to review and confirmation by Seller. The warranty provided above shall not apply if the Product (i) has been subjected to abuse, misuse, neglect, negligence, accident, improper testing, improper installation, improper storage, improper handling, abnormal physical stress, abnormal environmental conditions, or use contrary to any instructions issued by Seller; (ii) has been altered, repaired, or reconstructed by anyone other than Seller; or (iii) has been used with any third-party hardware or product that has not been previously approved in writing by Seller.

Buyer may pass this warranty through to its own Customers. However, the warranty shall extend only to the original Customer who owned the property at the time of installation and will not apply to any subsequent owners of the property. Buyer may not modify the terms of this warranty and shall not give or otherwise make any other warranties to Customers on behalf of Seller.

EXCEPT FOR THE PRECEDING WARRANTY, SELLER MAKES NO WARRANTY TO BUYER WHATSOEVER WITH RESPECT TO THE PRODUCTS AND HEREBY DISCLAIMS ALL OTHER WARRANTIES, INCLUDING ANY (I) WARRANTY OF MERCHANTABILITY; (II) WARRANTY OF FITNESS FOR A PARTICULAR PURPOSE; OR (III) WARRANTY AGAINST INFRINGEMENT OF INTELLECTUAL PROPERTY RIGHTS OF A THIRD PARTY; WHETHER EXPRESS OR IMPLIED BY LAW, COURSE OF DEALING, COURSE OF PERFORMANCE, USAGE OF TRADE OR OTHERWISE.

Sole Remedy:

THE REMEDIES SET FORTH ABOVE IN THESE WARRANTY PROVISIONS SHALL BE BUYER'S SOLE AND EXCLUSIVE REMEDY AND SELLER'S ENTIRE LIABILITY FOR ANY BREACH OF THE LIMITED WARRANTY SET FORTH HEREIN.

WARRANTY SERVICE

To activate your limited warranty, please visit:
<https://futureglass.us/pages/contact/>



Please register your information within 30 days of purchase to complete the activation of your warranty.

**Contact Technical Support:
Monday – Friday 8am – 5pm – PST**

Technical Support: 760-203-6255 ext. 2000