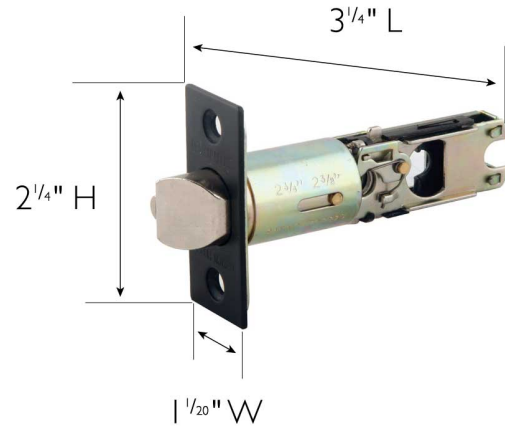


Pro Square Entry Latch  
Oil Rubbed Bronze



**SPECIFICATIONS**

MATERIAL CONSTRUCTION:	Zinc
MOUNTING HARDWARE INCLUDED:	Yes
TOOLS NEEDED FOR INSTALLATION:	Phillips Screwdriver
ASSEMBLED DIMENSIONS:	2.25" H x 3.25" L x 1.05" W
ASSEMBLED WEIGHT:	.24 lbs.
CROSS BORE:	2.13"
CORNER RADIUS:	N/A
PROJECTION:	N/A
HINGE TYPE:	N/A
NUMBER OF HOOKS:	N/A

WARRANTY: 1-Year limited warranty

LEGAL FOR SALE IN CALIFORNIA: Yes



TYPE:
JOB:
ORDER CODE:
APPROVALS: