

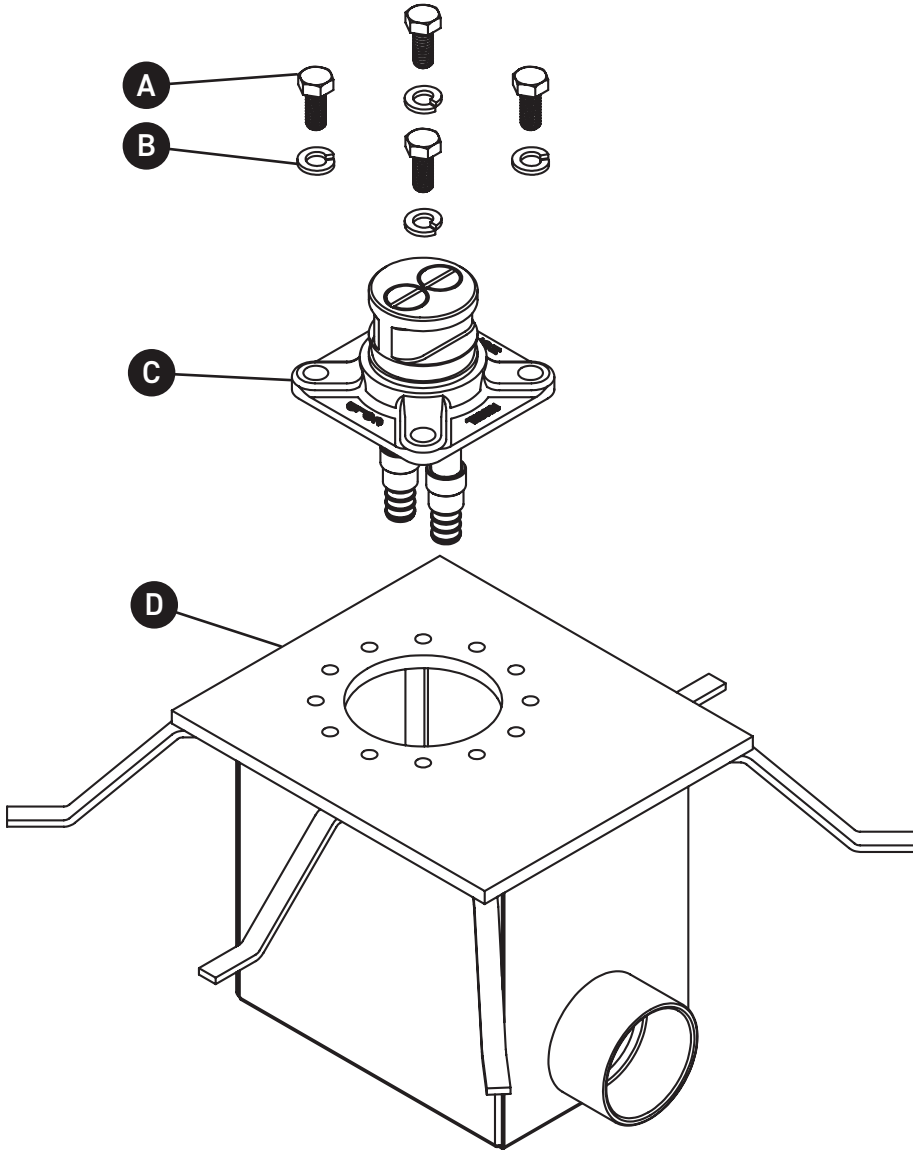


ORDER BY PART NUMBER

# ILLUSTRATED PARTS

## RHBX RHBX-EX RHBX-SPEX Floor Mount Tub Filler Rough-in Valve With Installation Box

ID	Kit Number	Finish
A	391-010	N/A
B	301-042	N/A
C	9638-EX	N/A
	9638-SPEX	N/A
D	9506	N/A



For warranty or additional information, contact:

U.S.A.  
[houseofrohl.com/support](http://houseofrohl.com/support)  
 1-800-777-9762

QUEBEC / MARITIMES / WESTERN CANADA  
 QUÉBEC / MARITIMES / OUEST CANADIEN  
 QUEBEC / MARITIMOS / CANADA OCCIDENTAL  
[houseofrohl.ca/support](http://houseofrohl.ca/support)  
 1-866-473-8442

ONTARIO  
[houseofrohl.ca/support](http://houseofrohl.ca/support)  
 1-800-287-5354





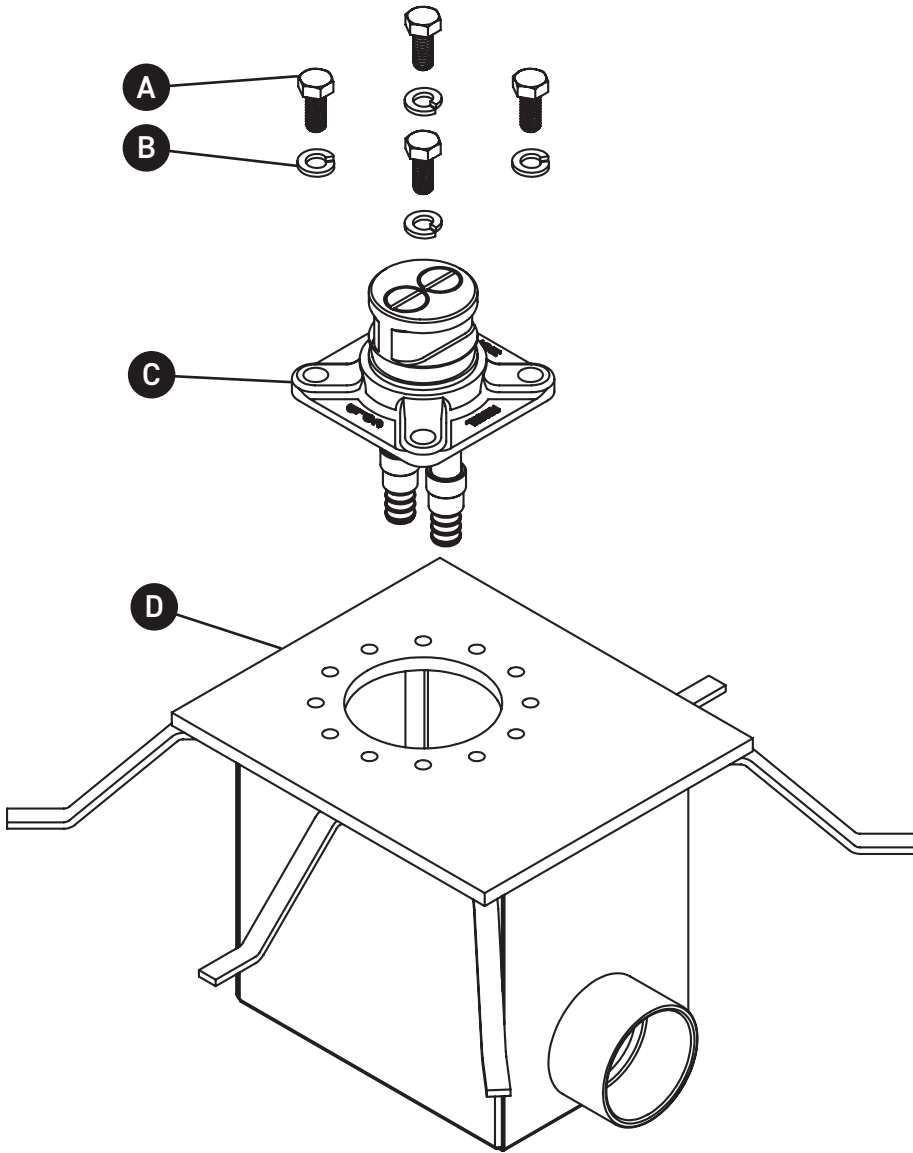
VEUILLEZ EFFECTUER VOTRE COMMANDE  
PAR NO DE RÉFÉRENCE

## ILLUSTRATIONS DES PIÈCES

### RHBX RHBX-EX RHBX-SPEX

Brut et boîte d'installation pour plancher de  
béton

ID	Référence du kit	Finition
A	391-010	N/A
B	301-042	N/A
C	9638-EX	N/A
	9638-SPEX	N/A
D	9506	N/A



For warranty or additional information, contact:

U.S.A.  
[houseofrohl.com/support](http://houseofrohl.com/support)  
 1-800-777-9762

QUEBEC / MARITIMES / WESTERN CANADA  
 QUÉBEC / MARITIMES / OUEST CANADIEN  
 QUEBEC / MARITIMOS / CANADA OCCIDENTAL  
[houseofrohl.ca/support](http://houseofrohl.ca/support)  
 1-866-473-8442

ONTARIO  
[houseofrohl.ca/support](http://houseofrohl.ca/support)  
 1-800-287-5354





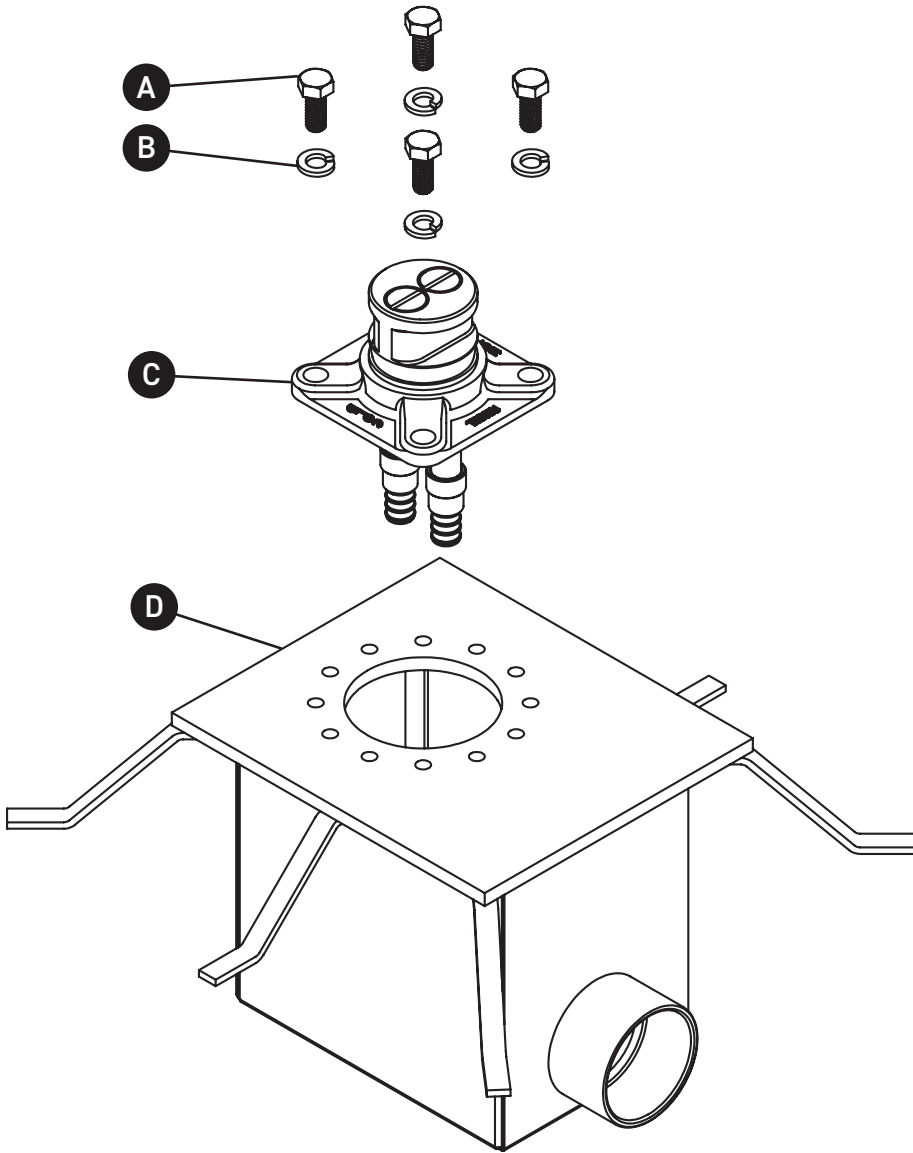
PEDIR POR NÚMERO DE REFERENCIA

## PIEZAS ILUSTRADAS

### RHBX RHBX-EX RHBX-SPEX

Válvula empotrada de llenado de bañera para montaje en piso con caja de instalación

ID	Referencia del kit	Acabado
A	391-010	N/A
B	301-042	N/A
C	9638-EX	N/A
	9638-SPEX	N/A
D	9506	N/A



For warranty or additional information, contact:

U.S.A.  
[houseofrohl.com/support](http://houseofrohl.com/support)  
 1-800-777-9762

QUEBEC / MARITIMES / WESTERN CANADA  
 QUÉBEC / MARITIMES / OUEST CANADIEN  
 QUEBEC / MARITIMOS / CANADA OCCIDENTAL  
[houseofrohl.ca/support](http://houseofrohl.ca/support)  
 1-866-473-8442

ONTARIO  
[houseofrohl.ca/support](http://houseofrohl.ca/support)  
 1-800-287-5354

