

IQ WATER VALVE QUICK INSTALL GUIDE

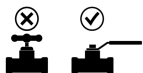
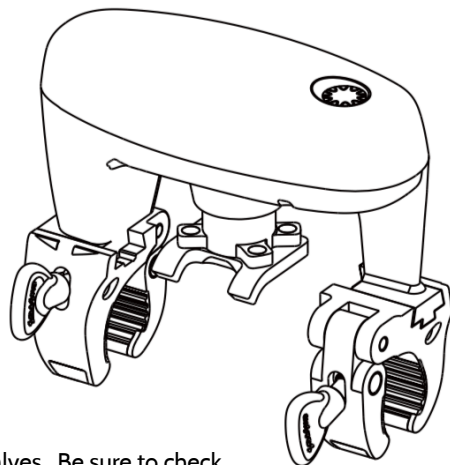


FEATURES & OVERVIEW

The IQ Water Valve is a retro fit servo that can operate 1/4 turn ball valves with pipes from 1/2" to 1 1/4" and installs easily without the need for a plumber. It uses powerful Z-Wave 700 for maximum range and reliability to the IQ Panel.

Features:

- Easy to install, no plumber needed
- Retrofit existing ball valves
- Works with IQ Panel
- Peace of mind from water leak damage
- Indoor/Outdoor (avoid direct sunlight)
- Z-Wave Plus 700 series communication
- Adaptive torque output max 8n.m



*Does not work on Gate valves. Be sure to check the valve type of your water main prior to install

SPECIFICATIONS

SKU: QZ2160-840 (US) / QZ2160-724 (EU)

Dimensions: 14.8 x 9.6 x 13.3mm

Weight: 603g

Waterproof & Dustproof: IP66

Usage: For Indoor & Outdoor Water Valve On/Off

Operating Temperature: 14 - 122°F (-10 ~ +50°C)

Relative Humidity: 8% - 80%

Operating Distance: Up to 130ft (indoors) and 450ft (outdoors)

Frequency Type :

Z-Wave Plus 700 series

908.4 MHz (US)

868.42 MHz (EU)

Motor Torque: Adaptive output max 8n.m

Touch Sense Button: x1

LED Indicator: 3 color LED (Green, Yellow & Red)

Sound Indicator: Buzzer (Max 85dB)

Power Supply AC-DC:

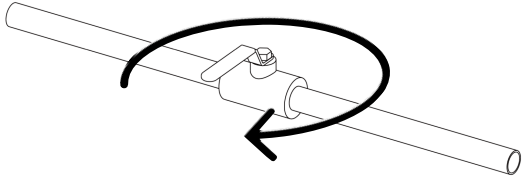
AC (110V 60Hz / 220V 50Hz)

DC (12V/1A)

This is a quick guide for experienced installers only. Refer to <http://dealers.qolsys.com> (login required)

STEP 1

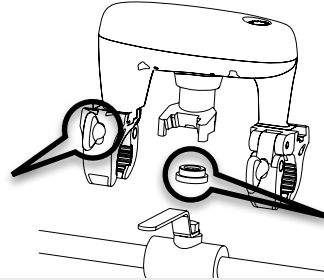
TURN MAIN WATER VALVE TO THE OFF POSITION



STEP 2

POSITION THE IQ WATER VALVE OVER THE TOP OF THE HANDLE

Make sure the thumb screws are facing the same side as the water valve handle

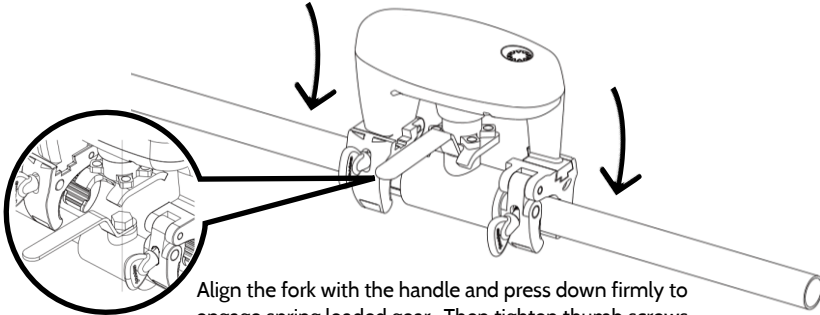


On lower profile valves, if needed, insert the spacer between the fork and the water valve handle.

This spacer ensures the fork will engage the spring loaded gear inside the IQ Water Valve

STEP 3

PRESS DOWN FIRMLY & TIGHTEN THUMB SCREWS

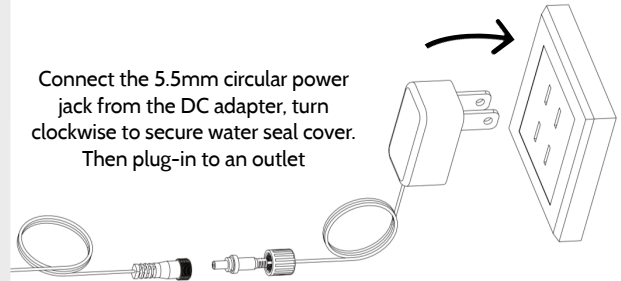


Align the fork with the handle and press down firmly to engage spring loaded gear. Then tighten thumb screws

STEP 4

PLUG-IN TO AN OUTLET

Connect the 5.5mm circular power jack from the DC adapter, turn clockwise to secure water seal cover. Then plug-in to an outlet



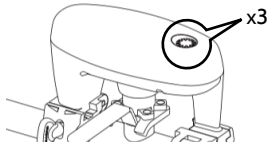
This is a quick guide for experienced installers only. Refer to <http://dealers.qolsys.com> (login required)

STEP 5

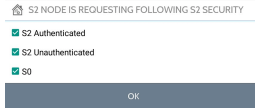
PAIRING WITH THE IQ PANEL



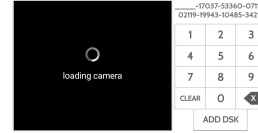
Place panel in "Include" mode



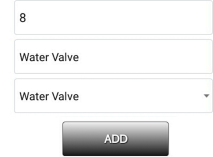
Press the touch sense button 3 times quickly



Select desired encryption type



If using S2 Authenticated, enter the first 5 digits of the DSK or scan the QR Code from the box



Customize name and touch **Add** to complete the pairing process

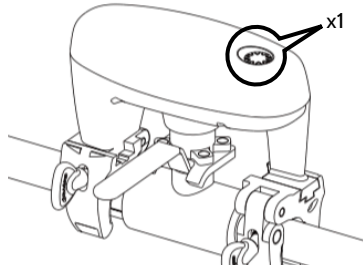
STEP 6

TEST OPERATION

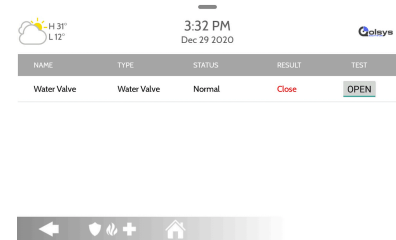
Press the touch sense button 1 time quickly to open the valve

The IQ Water Valve will auto calibrate based on the amount of force needed to open/close the ball valve

Touch it again 1 time to close the valve



Open & close the valve from the Panel (Settings/Other Z-Wave Devices) to ensure proper communication, range and function

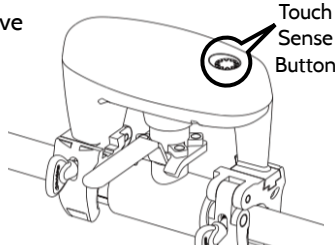


OUTDOOR INSTALLS

If you are installing the IQ Water Valve outdoors, the touch sense button should be disabled to prevent rain drops from activating it.

To Disable the Button:

- Press and hold the touch sense button for 3 beeps, then quickly press 3 times in a row.
- If successful, the Yellow LED will flash once, then the Red LED with 1 beep. The LED will then slowly flash Yellow indicating the touch sense button has been locked.



To Re-Enable the Button:

- Press and hold the touch sense button for 3 beeps, then quickly press 3 times in a row.
- If successful, the Yellow LED will flash once, then the Red LED with 3 beeps. The LED will then slowly flash Green (if enrolled) indicating the touch sense button has been unlocked.

TROUBLESHOOTING

LED Status:

- Flashing Yellow: Not yet included into the Z-Wave network or the touch sense button has been disabled.
- Flashing Green: Included into the Z-Wave network.

Factory Default:

- Option 1: Use the IQ Panel to "Clear" the IQ Water Valve. This will remove it from the Z-Wave network and restore factory defaults.
- Option 2: Press and hold the touch sense button for 10 beeps, then quickly press it 5 times in a row. If successful the Yellow LED will flash once, followed by the Green LED and a long beep.

Force Calibration:

- Force calibration is set automatically when first actuated.
- To manually re-calibrate, press and hold the touch sense button for 5 beeps, then quickly press it 5 times in a row. The water valve will open/close 1 to 2 cycles, followed by 2 beeps.

Scan for more info



qolsys.com/qz2160840

Document#: IQWATERVALVE-QG-12-20

Revision#: 04/15/21

Issue Date: APR 2021

Qolsys Product #: QZ2160-840 & QZ2160-724

Qolsys Inc. proprietary.

Reproduction without permission is not permitted.

FCC ID: 2AUZX-BVSZWU

GOT QUESTIONS?
CONTACT TECH SUPPORT
TechSupport@Qolsys.com

This device complies with part 15 of the FCC Rules. Operation is subject to the following two conditions: (1) This device may not cause harmful interference, and (2) this device must accept any interference received, including interference that may cause undesired operation. Changes or modifications not expressly approved by the party responsible for compliance could void the user's authority to operate the equipment.

This device complies with Industry Canada licence-exempt RSS standard(s). Operation is subject to the following two conditions: (1) this device may not cause interference, and (2) this device must accept any interference, including interference that may cause undesired operation of the device.

Cet appareil est conforme avec Industrie Canada exempts de licence standard RSS (s). Son fonctionnement est soumis aux deux conditions suivantes: (1) cet appareil ne doit pas provoquer d'interférences et (2) cet appareil doit accepter toute interférence, y compris celles pouvant causer un mauvais fonctionnement de l'appareil.