

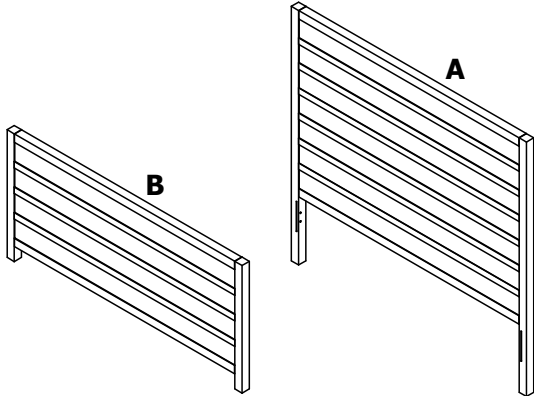
TOWNSEND PANEL FULL/QUEEN BED

ASSEMBLY INSTRUCTIONS



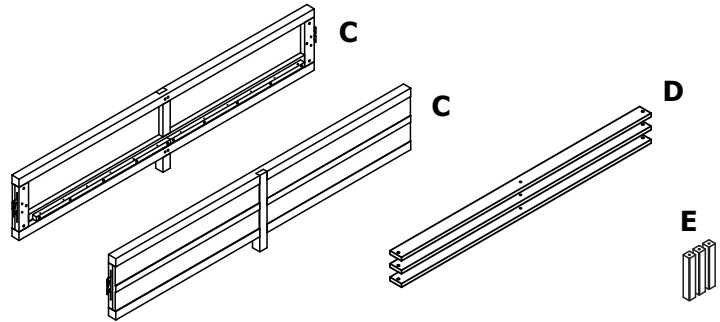
BOX #1

- A. HEADBOARD 1 PC
- B. FOOTBOARD 1 PC

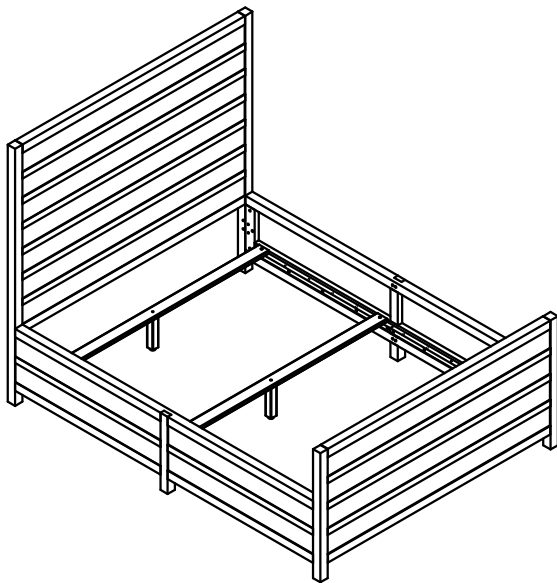


BOX #2

- C. SIDE RAIL 2 PCS
- D. BED SLAT 3 PCS
- E. LEG SUPPORT 3 PCS
- BED HARDWARE BOX*



TOWNSEND BED ASSEMBLED

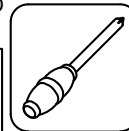


BED HARDWARE PACKED IN BOX #2

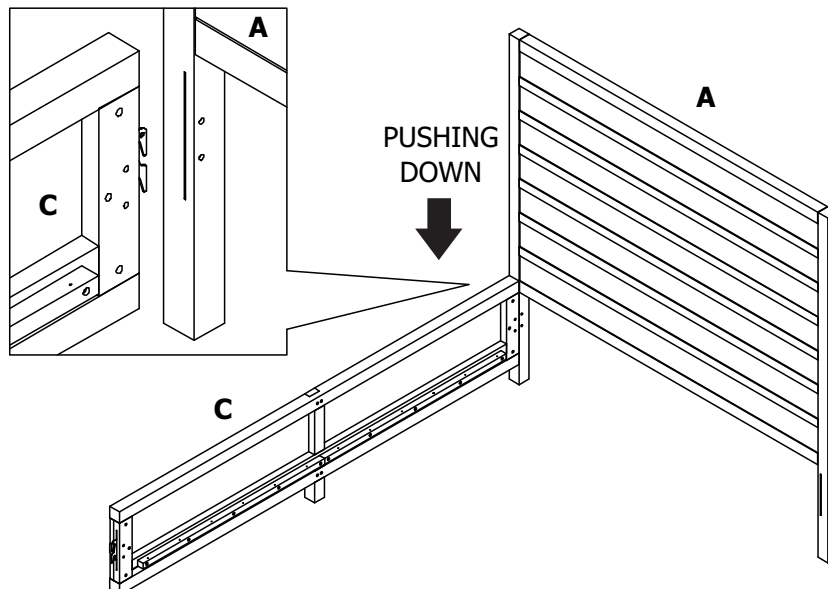
| | | | | | | | | |
|----------|------------------------|----------|----------|------------------------|----------|----------|-----------|---------|
| 1 | ALLEN BOLT (6x40mm) | 4 PCS | 2 | WOOD SCREW (8x30mm) | 7 PCS | 3 | ALLEN KEY | 1 PC |
| | | | | | | | | |

TOOL REQUIRED : PHILLIPS HEAD SCREWDRIVER (NOT PROVIDED)

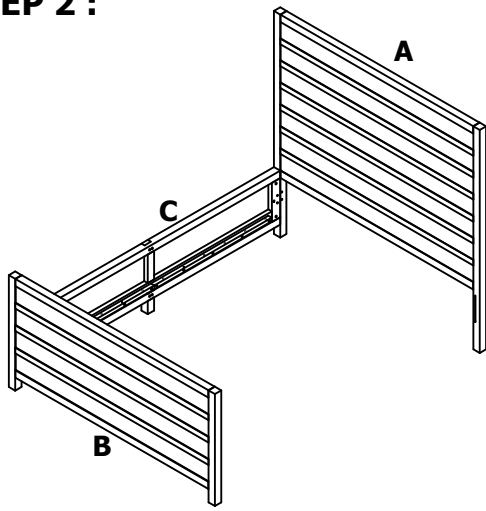
**YOUR BOX
MAY CONTAIN
EXTRA HARDWARE**



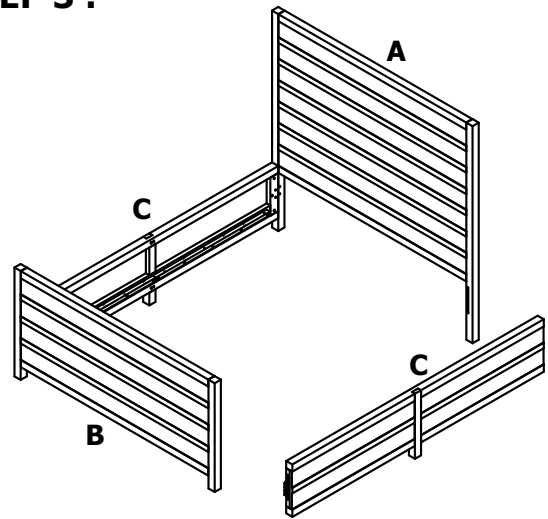
STEP 1 :



STEP 2 :



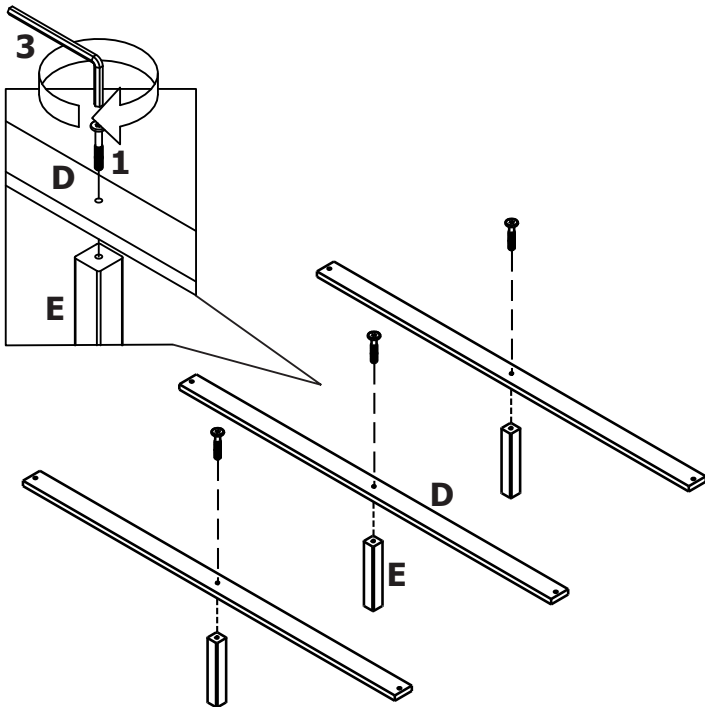
STEP 3 :



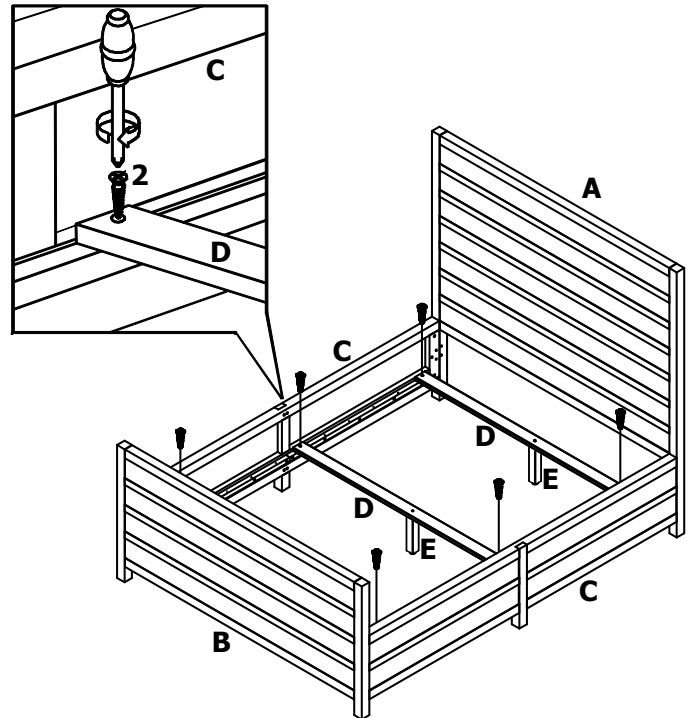
STOP

- IF USING BED FRAME WITH ADJUSTABLE MATTRESS BASE, SKIP TO APPENDIX A: ADJUSTABLE MATTRESS BASE ASSEMBLY SUPPLEMENT.
- IF USING BED FRAME WITH STANDARD BOX SPRING OR FOUNDATION CONTINUE TO STEP 4.

STEP 4 :



STEP 5 :

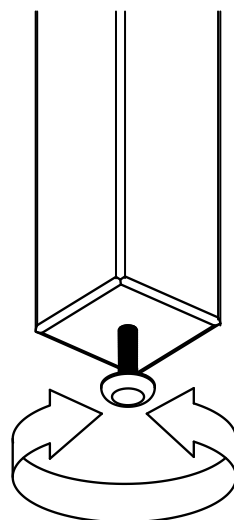


INSTRUCTIONS FOR ADJUSTING LEVELERS :

POSITION THE BED IN YOUR ROOM. LOCATE LEVELERS UNDER EACH LEG SUPPORT (E).

TURN LEVELER COUNTER-CLOCKWISE TO EXTEND, CLOCKWISE TO RETRACT.

ADJUST LEVELERS UNTIL EACH LEG SUPPORT IS APPLYING EQUAL UPWARD PRESSURE ON THE BED SLAT.



MAINTENANCE INSTRUCTIONS :

- REMOVE BOX SPRING AND MATTRESS BEFORE MOVING YOUR BED.
- LIFT YOUR BED WHEN MOVING IT. DRAGGING CAN DAMAGE LEG SUPPORT.
- READJUST LEVELERS AFTER MOVING YOUR BED.

TOWNSEND PANEL FULL/QUEEN BED



APPENDIX A: ADJUSTABLE MATTRESS BASE ASSEMBLY SUPPLEMENT

AN ADJUSTABLE MATTRESS BASE IS A FREESTANDING MATTRESS SUPPORT THAT SITS WITHIN THE PERIMETER OF THE BED FRAME.

IF USING THIS BED FRAME WITH A STANDARD BOX SPRING OR FOUNDATION THESE INSTRUCTIONS DO NOT APPLY.

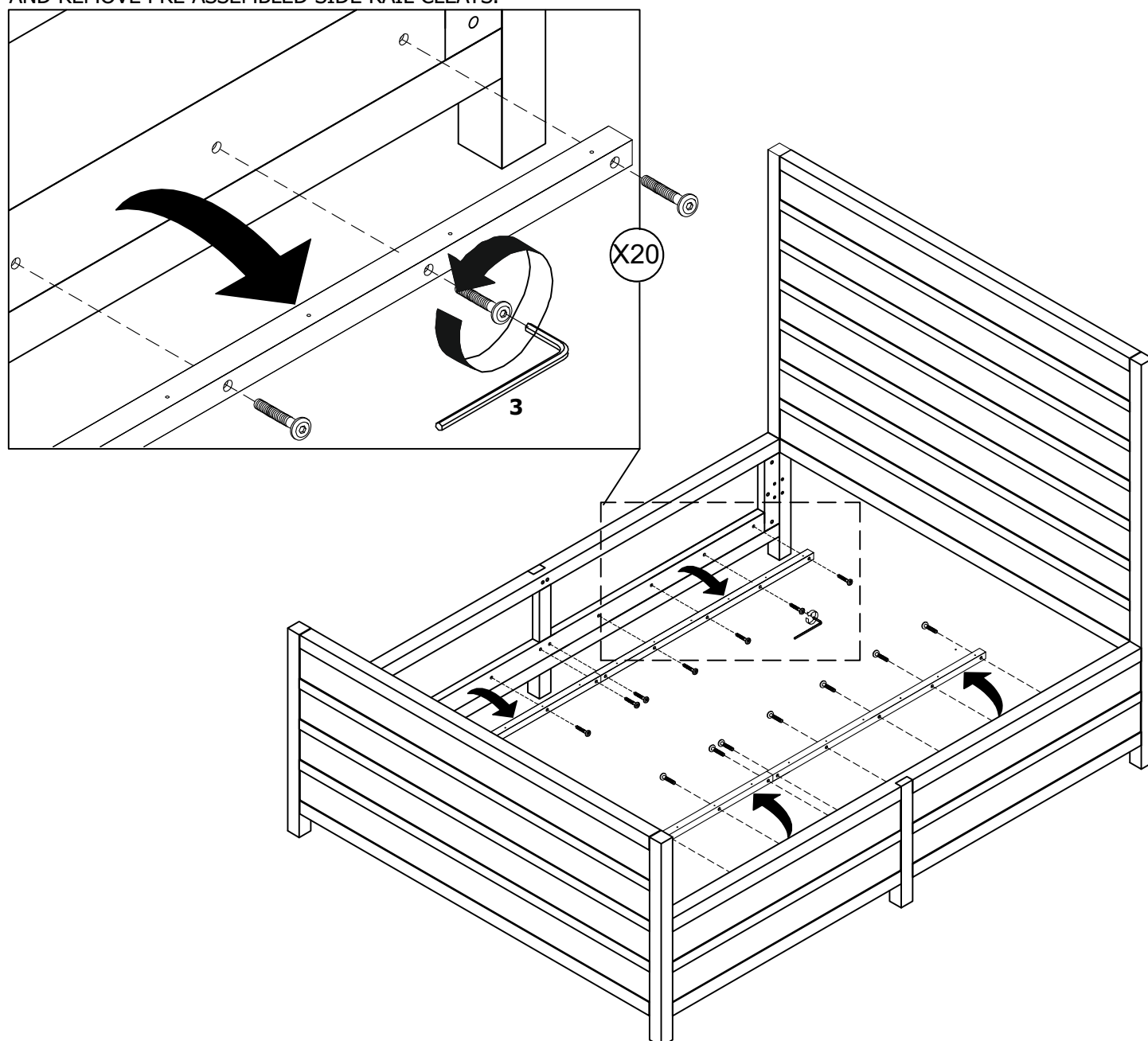
PRE-ASSEMBLED SIDE RAIL CLEATS OBSTRUCT ADJUSTABLE BASE INSTALLATION AND OPERATION. FOLLOW THESE INSTRUCTIONS TO REMOVE THEM.

THE FOLLOWING PARTS ARE NOT REQUIRED FOR ADJUSTABLE MATTRESS BASE INSTALLATION:

| | | | |
|----------------|-------|------------------------|-------|
| D. BED SLAT | 3 PCS | 1. ALLEN BOLT (6x40mm) | 4 PCS |
| E. LEG SUPPORT | 3 PCS | 2. WOOD SCREW (8x30mm) | 7 PCS |

STEP 1 :

USE ALLEN KEY (3) TO UNSCREW ALLEN BOLTS AND REMOVE PRE-ASSEMBLED SIDE RAIL CLEATS.



NOTE: YOU MAY WISH TO RETAIN UNUSED PARTS IF IN THE FUTURE YOU INTEND TO USE THE BED FRAME WITH A STANDARD BOX SPRING OR FOUNDATION.